


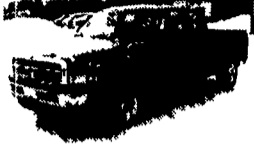





Woodcrest Motors

SPECIALIZING IN TRUCKS & VANS
1200 North Reading Rd., (Rt. 272) Stevens, (Lancaster Co.) PA 17578
717-336-3130

	95 DODGE RAM 2500 , w/Utility Body V8 AT A/C. Dk. Blue. 51,000 Miles \$13,900		91 FORD F-150 4x4 , 300ci 6 Cyl., 5 Sp., A/C Grey. 91,000 Mi \$6,900
	95 DODGE RAM 2500 4x4, Cummins Diesel, AT, A/C Plow, 86,000 Miles, White \$17,900		96 DODGE RAM 1500 2WD, Club Cab V8, AT, Most Options, 86,000 Miles, Red \$12,800
	97 CHEV. 1500 EXT. CAB 4x4 , Silverado, 5.7 Vortec, AT, 3-Door Most Options, Black \$17,400		95 FORD F150 XLT , 4x4 V8, 5 Sp., Most Options, Black Shortbed, 79,000 Mi \$11,995

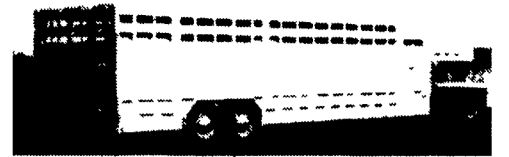


(4) International Paystars Cab & Chassis; Engines Detroit 8V92 435-475 HP; 18,000 lb. FA; 44,000 lb RA; Double Frame; Price: \$7,500

(1) 1984 White Volvo with Integral Sleeper; 400 Cummins; 13 Spd. Trans.; Price: \$7,500


**Curry Supply Co. Curryville, PA
1-800-345-2829**

Featherlite Trailers



Model 8200 - 8' x 28' stock trailers
Available In Many Sizes
All Aluminum • 6 Year Warranty
Titan Flat Beds
Pine Shavings
Peanut Hulls

48' Self Unloading Trailers



HUFFMAN

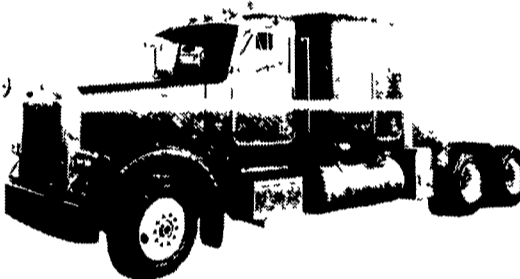
TRAILER SALES
AND LITTER SERVICE INC.
4124 North Valley Pike
Harrisonburg, VA 22802
Phone 1-800-825-2545

HUNTER KEYSTONE PETERBILT

1467 Manheim Pike • Lancaster, PA 17604
717 299-6630 • 800 243-2458

1995 Peterbilt 378, Cat 3406E, 435 Hp Eng, Fuller 18 Speed Trans., Unbuilt 63" Low Sleeper, LP 22.5 Tires, 12 & 40 Axles, 3.90 Ratio, Air Trac Susps, Jake Brake, Steel Wheels, Dual 135 Gal Tanks, Accent Interior, Color Blue

ONLY (4) LEFT!




1977 Macks R Models (Yard Tractors)

**1 - Tandem Axle
1 - Single Axle**

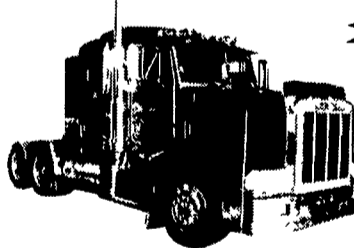
300 Hp Eng, 6 Speed Trans

Will Be Sold As Is!

- Call For Details -



1991 Kenworth T600 450 HP Detroit S60 12.7L, Fuller 10 Speed OD; 52" Sleeper; Jake brake; 230" Wheelbase, Ratio 4.11, Kenworth 8 Bag Air Susp



1994 Peterbilt 377, 36" Sleeper, 3406E Cat, 410 HP, Jake Brake, 10 Speed, 4.11 Ratio, Alum Wheels, 200" Wheelbase, Low Air Susp, 625,000 Miles, Excellent Maintenance!


NEW



Peterbilt 330, 10' Dumps, Cat & Cumm Power, 9 Spd, 33,000 GVW, Locking Rear, Air Ride, 10:23 Axles




1996 International 4700, 444, 190 Hp. Eng., 6 Speed Trans., 72,000 Miles, 25.5 GVW, Includes Plow, Tilt Bed & Salt Spreader - Excellent Cond.



1993 Volvo WIA64TES, Detroit S60 12.7L, 430 HP Eng., 60" Sleeper, Jake Brake, 230" Wheel Base, 3:90 Ratio, Air Ride Susp., Alum Wheels.

ALL STEEL REPLACEMENT TRUCK BED

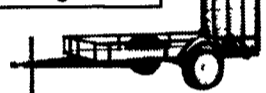


7'X70"W or 80"W
8 1/2' Lx80"W or 90"W
10'Lx8'W, 12'Lx8'W


STARTING AT \$595.00

Also Available In 4'x7' and 4'x8'

5'x8' Starting at \$595




UTILITY (TILT OR GATE MODEL) SIZES:
5'x8', 5'x10' 2000# GVW - 5'x10'
6'5" x12', 3000# GVW



UTILITY WITH GATE-SIZES:
16'x77", 18'x77", 7,000# GVW


ALSO 84" WIDE!



CAR HAULER TRAILER:
16'x78" & 18'x78" Includes 5' Beavertail
7,000 lb. GVW 4' self storing ramps

Quality Trailers Built Locally By "PA International"

Car Dollie




Sale \$795

19 Ft. Hydraulic Tilt Trailer, 10,000 lb. GVW \$3,395

Case 580C Industrial Loader Tractor w/Front Bucket \$8,995

Over 200 Trailers IN STOCK
Starting At \$495.00
T-Plates
DEALERS WANTED

Highway Hydraulic Dump




BRI-MAR

5'x8', 3000# \$2,195
5'x8', 5000# \$2,495
6'x10', 7,000# \$3,295
6'x10', 10,000# \$3,695
7'x12', 10,000# \$4,095

FREE BATTERY

LOW PROFILE DUMP TRAILERS




BRI-MAR

6 x 12 10,000# low profile \$4,295
6'x10' GVW low profile dump trailers w/ landscape gate

7,000# \$3,495
10,000# \$3,895

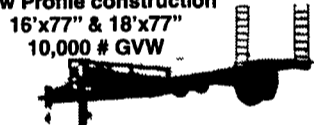
FREE BATTERY

Starting At \$3995 w/4' Adj. Tail



GOOSENECK SIZES: 20'x8' 12,000# or 14,000# GVW, 24'x8' 14,000# GVW

Low Profile construction
16'x77" & 18'x77"
10,000 # GVW



DECK-OVER CONSTRUCTION
20'x8' w/Tail 10,000# GVW \$3,395
20'x8' w/Tail 12,000# GVW \$3,695

KUTZ FARM EQUIPMENT, INC.
Pine Grove, PA 570-345-4882 FAX 570-345-2881

8 AM-5 PM Monday Thru Friday
8 AM-12 Saturday Or By Appointment

Providence

Part of the Lancaster County Motors Family of Dealerships

2000 DODGE RAM 2500 SLT 4X4 Regular Cab, Meyers Angle Plow

MSRP \$32,965
PROVIDENCE DISC. \$3200
FACTORY REBATE \$1000
COMMERCIAL BONUS \$300

ON SALE! \$28,465

2000 DODGE RAM 3500 SLT 4X4 Quad Cab, Cummins TurboDiesel, Patriot Blue tow pkg, block heater, camper susp, cassette/CD, fog lamps, sliding r. window

MSRP \$37,930
PROVIDENCE DISC. \$3700
FACTORY REBATE \$1000
COMMERCIAL BONUS \$300

ON SALE! \$32,930

THIS WEEK'S PRE-OWNED SPECIALS:
3/4-TON PICKUPS!

'97 DODGE RAM 2500 ST 4X4 Club Cab, 360 V8, auto, 47K mi, air, cabs WAS \$21,200 **NOW \$19,900**

'97 DODGE RAM 2500 SLT 4X4 Club Cab, 360 V8, auto, 31K, air, cassette, PW, PL, cruise, Forest Green/Driftwood WAS \$25,250 **NOW \$23,950**

CALL BRIAN OR BOB NOW FOR YOUR SERVICE APPOINTMENT!

LUBE, OIL & FILTER

\$22.95 Up to 5 qts. of Oil & Mopar Filter

Also includes complete underhood check of all belts, hoses, and fluid levels. Diesels extra. Offer expires 3/31/00

ALIGNMENT SPECIAL

Any Chrysler, Plymouth, Dodge or Jeep

Car/Van 2 wheel... \$44.95
Car/Van 4 wheel... \$49.95
Any Dodge Truck... \$45.95

Offer expires 3/31/00

TIRE ROTATION

\$24.95 Rotate & Balance Tires

Dual Wheels extra. Offer expires 3/31/00

SALES HOURS: MON-FRI: 9AM-9PM SATURDAY 9AM-4PM

SERVICE HOURS: MON, WED, FRI: 7:30AM-5PM TUES, THURS: 7:30AM-7PM

Call Toll-Free 877-288-9996 or Phone 284-9900

804 Lancaster Pike, Quarryville Rt. 272, Just South of Lancaster

www.providenceautos.com e-mail: Vehicles@lannews.infi.net

Call for info on over 30 used trucks in stock!
We can locate what you're looking for!