

Weekly Livestock Summary

13 Livestock Auctions
February 11, 2000

Report Supplied By PDA

CATTLE 5034 Compared with 4475 head last week and 4504 head a year ago Slaughter steers mostly 50 to 100 lower, sl heifers steady to 100 lower, sl cows 100 to 200 spots 250 lower, greatest decline on Lean cows, bulls steady to 200 lower

SLAUGHTER STEERS High Choice and Prime 2-4 69.50-73.75, Choice 1-3 65.50-70.75, Select and Low Choice 2-3 64.75-67.50, Select 1-3 58.50-66.25, Standard 1-2 50.00-57.50.

HOLSTEINS: High Choice and Prime 2-3 60.85-65.25, Choice 2-3 57.50-61.75, Select 1-2 51.00-56.25, Standard 1-2 48.00-52.00.

HEIFERS: Choice few Prime 2-4 64.00-70.00, few 73.00, Select 1-3 58.50-64.50, Standard 1-2 48.00-57.50

COWS Breakers 75-80% lean 38.50-43.50, few to 45.25, Boners 80-85% lean 36.00-41.50, Lean 85-90% lean 30.00-37.75. Shells down to 22.00.

BULLOCKS: Choice 2-3 60.25-64.50, Select 1-3 54.50-59.50

BULLS: Yield Grade 1 1000-2500 lbs 45.50-56.25, Yield Grade 2 900-2400 lbs 40.00-48.00.

FEEDER CATTLE: STEERS: Medium and Large 1 300-500 lbs 86.00-100.00, 500-700 lbs 65.00-86.00, Medium and Large 2 300-500 lbs 75.00-81.00, 500-700 lbs 64.00-73.00, HEIFERS Medium and Large 1 300-500 lbs 80.00-101.00, 500-700 lbs 71.00-84.00, Medium and Large 2 300-500 lbs 61.00-83.00, 500-700 lbs 58.00-68.00; **BULLS:** Medium and Large 1 300-500 lbs 85.00-94.00, 500-700 lbs 70.00-77.50, Medium and Large 2 400-700 lbs 65.00-86.00.

CALVES 3626...Compared with 3609 head last week and 3268 head a year ago.

Vealers. steady to 5.00 lower...**VEALERS:** Choice 150-350 lbs 84.00-105.00, Good 140-275 lbs 72.00-85.00, Standard and Good 75-100 lbs

20.00-47.50, Utility 50-100 lbs 10.00-25.00 **FARM CALVES** Holstein bulls steady to 100 lower, Holstein heifers 500 to 2000 lower No 1 Holstein bulls 90-120 lbs 120.00-167.00, No 2 85-120 lbs 65.00-125.00, No 1 Holstein heifers 80-120 lbs 210.00-316.00, No 2 80-120 lbs 100.00-225.00

Beef type bulls and heifers 75-160 lbs 75.00-150.00

HOGS 1549 Compared with 1295 head last week and 2075 head a year ago Barrows and gilts 50 to 100 lower, sows steady to 200 lower

BARROWS AND GILTS: 49-54% lean 220-265 lbs 38.75-43.00, 45-50% lean 220-275 lbs 37.25-39.50, 40-45% lean 240-300 lbs 34.75-37.75 **SOWS** US 1-3 300-500 lbs 32.00-36.00, 500-700 lbs 35.00-44.00

BOARS all weights 8.00-12.00

FEEDER PIGS 282 Compared with 177 head last week and 187 head a year ago US 1-3 20-35 lbs 11.00-23.00, 35-60 lbs 25.00-39.00 --- per head

SHEEP 1422 Compared with 915 head last week and 1246 head a year ago Slaughter lambs 10.00 to 20.00 lower...**NEW CROP LAMBS:** Choice 40-80 lbs 115.00-155.00, 80-100 lbs 95.00-120.00; **WOOLED LAMBS:** Choice 60-90 lbs 95.00-110.00, Good and Choice 40-80 lbs 55.00-95.00.

SLAUGHTER SHEEP: 25.00-55.00.

ONE GRADED FEEDER PIG SALE 282...Compared with 1191 last week and 658 head a year ago. Feeder pigs steady to 600 lower... US 1-2 40-50 lbs 78.00-82.00, 60-80 lbs 60.00-62.00, Slaughter 20-45 lbs 82.00-140.00, 60-90 lbs 45.00-68.00. --- per cwt.

SLAUGHTER SHEEP: 25.00-55.00.

ONE GRADED FEEDER PIG SALE 282...Compared with 1191 last week and 658 head a year ago. Feeder pigs steady to 600 lower... US 1-2 40-50 lbs 78.00-82.00, 60-80 lbs 60.00-62.00, Slaughter 20-45 lbs 82.00-140.00, 60-90 lbs 45.00-68.00. --- per cwt.

SLAUGHTER SHEEP: 25.00-55.00.

ONE GRADED FEEDER PIG SALE 282...Compared with 1191 last week and 658 head a year ago. Feeder pigs steady to 600 lower... US 1-2 40-50 lbs 78.00-82.00, 60-80 lbs 60.00-62.00, Slaughter 20-45 lbs 82.00-140.00, 60-90 lbs 45.00-68.00. --- per cwt.

SLAUGHTER SHEEP: 25.00-55.00.

ONE GRADED FEEDER PIG SALE 282...Compared with 1191 last week and 658 head a year ago. Feeder pigs steady to 600 lower... US 1-2 40-50 lbs 78.00-82.00, 60-80 lbs 60.00-62.00, Slaughter 20-45 lbs 82.00-140.00, 60-90 lbs 45.00-68.00. --- per cwt.

SLAUGHTER SHEEP: 25.00-55.00.

ONE GRADED FEEDER PIG SALE 282...Compared with 1191 last week and 658 head a year ago. Feeder pigs steady to 600 lower... US 1-2 40-50 lbs 78.00-82.00, 60-80 lbs 60.00-62.00, Slaughter 20-45 lbs 82.00-140.00, 60-90 lbs 45.00-68.00. --- per cwt.

HOLSTEIN STEERS couple Select 1-2 53.50 & 54.00.

HEIFERS Standard 1-2 47.50-50.50

COWS Breakers 75-80% lean 37.00-41.00, couple to 44.00, Boners 80-85% lean 33.00-37.50, Lean 85-90% lean 29.50-33.00 Shells 28.00 & down

BULLS Yield Grade 1 1170-1495 lbs 46.50-55.00, Yield Grade 2 1115-1685 lbs 35.50-45.00

FEEDER CATTLE STEERS

Medium and Large 1 335-495 lbs 89.00-111.00, 505-725 lbs 75.00-99.00, few Medium and Large 2 400-475 lbs 80.00-85.00, 500-880 lbs 66.00-75.00, few Holsteins to 55.00, HEIFERS Medium and Large 1 350-500 lbs 72.00-86.00, 525-700 lbs 68.00-78.00, Medium and Large 2 345-500 lbs 55.00-71.00, 510-800 lbs 51.00-66.00; **BULLS** Medium and Large 1 3205-500 lbs 82.50-108.00, 520-675 lbs 77.00-99.00, Medium and Large 2 330-500 lbs 60.00-81.00, 520-850 lbs 62.00-72.50

CALVES 214 [All calves sold per cwt]

VEALERS few Choice 135-185 lbs 75.00-87.00, Standard and Good 90-125 lbs 25.00-50.00, Standard and Good 70-85 lbs 25.00-45.00, Utility 50-100 lbs 15.00-22.00.

FARM CALVES: Holstein bulls steady to 10.00 lower. No 1 Holstein bulls 90-125 lbs 105.00-145.00 mostly 115.00-135.00, No 2 80-120 lbs 50.00-100.00; Few No 1 Holstein heifers 85-105 lbs 210.00-240.00, few No 2 90-1400 lbs 145.00-190.00

Beef type bulls and heifers 75-120 lbs 76.00-127.50, 140-250 lbs 74.00-97.00

HOGS 34. 49-54% lean 245-270 lbs 40.50-42.50, 45-50% lean 225-310 lbs 37.25-39.50, lit 40-45% lean 140-170 lbs 30.00-32.00 **SOWS** US 1-3 405-495 lbs 26.50-35.00, US 1-3 590 lbs @ 33.50 Boars 115-135 lbs 16.00-21.00

FEEDER PIGS 0 **NO MARKET TEST'**

SHEEP 73 **SLAUGHTER LAMBS** High Choice and Prime 105-155 lbs 65.00-78.00, Choice 45-55 lbs 122.50-145.00, 75-85 lbs 98.00-115.00

FEEDER LAMBS Good and Choice 55-85 lbs 82.00-87.00

SLAUGHTER SHEEP 25.00-50.00

GOATS 13 Large Wethers and Nannies 60.50-91.00, Medium Nannies 36.00-55.00, Large Kids 22.00-27.50 --- per head

Mercer Livestock

Mercer, Pa.

February 15, 2000

Report Supplied By PDA

CATTLE 391 [PDA] Compared with last week's sale sl steers steady to 100 lower, sl cows steady to 250 lower

SLAUGHTER STEERS Choice 2-3 1025-1500 lbs 65.00-69.25, few 1500-1600 lbs 62.00-65.25, Select 1-3 58.50-65.50, few Standard 1-2 56.75-59.75

HOLSTEINS few High Choice and Prime 2-3 1265-1515 lbs 60.00-62.00

HEIFERS. few High Choice and Prime 2-4 1100-1450 lbs 68.50-72.00, Choice 2-4 1025-1400 lbs 65.25-69.00, Select 1-2 55.50-65.75

COWS Breakers 75-80% lean 37.50-41.25, few to 46.00, Boners 80-85% lean 35.00-39.75, Lean 85-90% lean 31.75-39.75. Shells down to 23.00

BULLOCKS: few Select 1-3 975-1250 lbs 49.75-51.50.

BULLS Yield Grade 1 1060-1840 lbs 45.00-49.25, Yield Grade 2 1100-2250 lbs 35.00-45.50

FEEDER CATTLE STEERS. few Large 1 525-675 lbs 58.50-63.00, Medium 1 350-550 lbs 88.00-99.00, HEIFERS Medium and Large 1 350-600 lbs 80.00-100.00, 600-725 lbs 64.00-72.50, Large 2 350-1000 lbs 49.50-63.00, Medium 2 300-550 lbs 60.00-80.00, **BULLS.** Medium 1 350-550 lbs 80.00-93.00, 550-675 lbs 60.00-79.00, Medium 1-2 200-300 lbs 74.00-98.00, few to 100.00, Medium 2 350-550 lbs 64.00-86.00

CALVES 124...**VEALERS.** Standard and Good 80-95 lbs 20.00-36.00, few Utility 60-75 lbs 10.00.

FARM CALVES No 1 Holstein bulls 95-115 lbs 120.00-145.00, couple to 150.00, No 2 90-120 lbs 40.00-130.00, No

1 Holstein heifers 95-115 lbs 250.00-275.00, No 2 80-110 lbs 125.00-250.00

HOGS 80 **BARROWS AND GILTS** 49-54% lean 190-210 lbs 41.00-42.25, 45-50% lean 230-270 lbs 39.25-41.25, 40-45% lean 240-285 lbs 38.00-38.50

SOWS few US 1-3 550-665 lbs 40.00-41.00, 350-495 lbs 33.00-37.50

BOARS 535-725 lbs 11.50-12.00

FEEDER PIGS 61 40-50 lbs 25.00-39.00, one lot 37 lbs 25.00

SHEEP 2 **NO MARKET TEST'**

GOATS 4 Couple Medium Billies 40.00, couple Small 20.00 & 25.00 --- per head

Valley Livestock

Athens, Pa.

Report Supplied by Auction

Monday, February 14, 2000

HOLSTEIN HFR. CALVES 135.00-295.00.

BACK TO FARM CALVES 95-120 LBS. 110.00-170.00, 70-95 LBS. 55.00-162.50.

SLAUGHTER CALVES 15.00-39.00.

GRASSERS & STR. CFS. 27.00-70.00.

FEEDERS 45.00-89.00.

LAMBS 80.00-95.00.

SHEEP 30.00-55.00.

HOGS 200-250 LBS. 33.00-39.00.

SOWS 28.50-32.50.

BOARS, NONE.

PIGS EACH 20.00-23.00.

HEIFERS 38.00-45.50.

STEERS 44.00-48.00.

BULLS 40.00-45.50.

GOOD COWS 35.00-39.00.

MEDIUMS COWS 29.00-34.00.

THIN COWS 13.00-28.00.

CATTLE MARKET SOME EASIER.

CALF MARKET STRONG.

HORSES AND PONIES, NONE.

GOATS 40.00-88.00.

REAL GOOD CALF MARKET.

FEEDER SALE 1ST MON. EA. MONTH. **DAIRY SALE** 3RD THUR. EA. MONTH.

Eighty-four Livestock

Eighty-four, Pa.

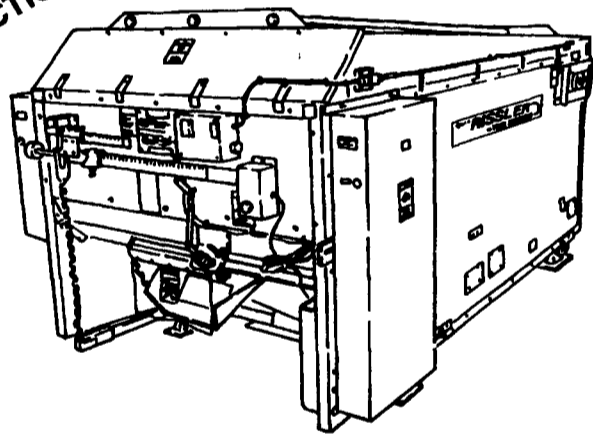
February 14, 2000

Report Supplied By PDA

CATTLE 304...[PDA]. Compared with last week's sale sl cows steady to 2.00 lower, sl. bulls steady.

SLAUGHTER STEERS One Select 2 56.50.

**PRACTICAL IN DESIGN
DEPENDABLE IN ACTION**



**A BETTER MIXER
FOR A BETTER MIX**

**STANDARD FEATURES ON STATIONARY
RISSLER MIXERS INCLUDE:**

**NEW HEAVY DUTY STAINLESS
STEEL AUGER**

- STAINLESS STEEL AUGER TROUGH.
- STAINLESS STEEL FLOOR.
- STAINLESS STEEL PINS IN MIXING CHAIN.
- POLY CLAD SIDES.
- SAFETY SHUT OFF CONTRACTOR SWITCH.

**DOES ANY OTHER T.M.R. MIXER
OFFER THESE FEATURES?**

448 Orchard Road
Mohnton, PA 19540
717-484-0551

**RISSLER
-TMR MIXERS-**

**PENN LEAF
TOBACCO CO.**

FARMERS! Do you have tobacco in your barn that you are tired of looking at? Are you tired of worrying about marketing it? If so, contact us for details about processing your crop.

Penn Leaf Tobacco Co.

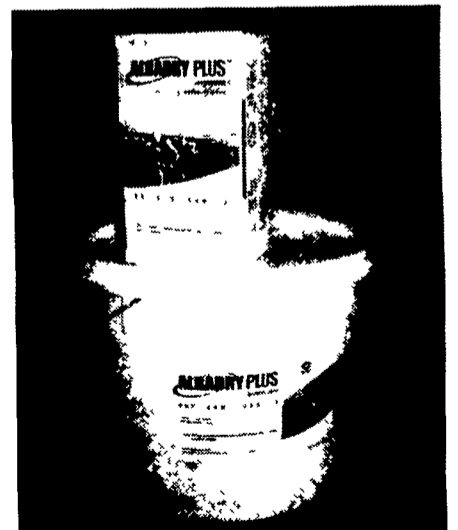
"Your Local Tobacco Co."

661 Vintage Road, Christiana, PA 17509

610-593-6729

8:00-4:00 • Call before Delivery

FEBRUARY SPECIAL



Albady Plus
Box - 12 Tubes..... \$15.95
Pail - 144 Tubes..... \$14.95/Doz.
Genercap - 35 Bolus Jar..... \$42.25
Generator Direct Fed Microbial
(Feed 1/2 oz./head/day) 55 lb. \$125.00
DANIEL'S FARM STORE
324 Glenbrook Rd., Leola, PA 17540
Between Leola & Talmage on Rt. 772
717-656-6982