

### EQ. FOR SALE

'96 JD 6810 Forage Harvester, 1,100 cutter head hrs., KP exc. cond., comes w/6R Kemper head, new main clutch, silage inoculant, applicator-----\$145,000

'99 Richardton 700 dump wagon, 1 season old-----\$10,500

'99 Balzer Mdl. 1016 dump station, 1 season old-----\$9,500

Reason for sale ~ owner relocating to Southwest.  
**(215) 275-6035**

### DEPENDABLE MOTOR CO.

East Main St., Honey Brook, PA  
610/273-3131 or 610-273-3737  
www.dependablemotor.com

NH 770 Pick-Up Head Toro Ground Master  
Richie Hog Waterer Commercial Mower  
NH 782 Harvester Toro 52" Walk-Behind Mower  
LX 465 Skid Loader Case Skid Ldr. 1835C  
NH 315 Baler

w/Thrower

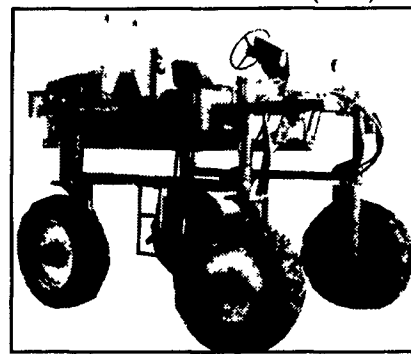
GRUETT Forage Boxes The Strongest Box Period. WE REBUILD 489 WOBBLE BOXES

**KIOTI** Compact Tractors **FERRIS** **NEW HOLLAND**

### FARM EQUIPMENT

## PLAIN VIEW FARMS

25840 WORTON-LYNCH RD.  
WORTON, MARYLAND 21678  
(410) 778-1065



Hi-Clearance Machines  
4 Models For Various Applications  
Clearances to 83"  
Easily Customized

www.plainviewfarms.com

### KELLER'S FARM MACHINERY

116 Richlandtown Pike, Quakertown, PA 18951  
215-536-4046

Ford 345C, 4x4 w/loader, 3 pt. PTO  
Ford 1720 4x4 w/loader  
Ford 8770, 4x4 w/cab, duals, super steer  
Ford 8670, 4x4, cab, duals, super steer  
Ford 1620 4x4, w/Ford belly mower  
Ford 655A 4x4 w/cab loader & backhoe  
Ford 800 w/LPTO  
Ford 801, PS w/loader  
Ford 2810, 8 spd, PS  
Ford 3000 PS, LPTO  
Ford 4000 SU 8 sp w/loader  
Ford 445D loader & cab, New  
Ford TW20 4x4 w/cab  
Ford 5000D 8 Speed w/Loader  
Ford 8700, w/Cab  
Ford 3400 w/loader, 3 pt. PTO  
Ford 2600, PS, live PTO  
Ford 4610, 8 speed, PS  
Ford 601 rebuilt & repainted  
Ford 600 loader backhoe  
JD 2240 4x4 w/540 Loader  
JD 1120D, PS, LPTO  
AC WD w/Plow & Corn Planter  
Case 1845C Skid Loader  
Satoh 650G w/loader  
Ford 730 w/loader 3000  
Kubota B9200 4x4 w/loader & belly mower  
Kubota B20 4x4 w/loader & backhoe  
MF 135 w/LPTO & Power steering

### BUY • SELL • TRADE

JD 7800 cab 4x4, PS trans, 3100 hrs, like new \$51,500  
JD 4055 Cab, MFWD PS, Trans 80% rubber, nice \$35,200  
JD 4255 PS Trans, 4x4, radial tires 3 hyd, sharp \$34,500  
JD 4450 Cab, 4x4, PS, 3 hyd original 1 owner \$33,800  
JD 4440, Cab, PS, 2 hyd overhauled, wts, sharp \$20,400  
JD 4040 Cab, 2 hyd, QR trans, 16 9x38 radial tires \$16,800  
NH LX 885 Turbo, skid loader, 1997, 2,000 hrs \$16,500  
JD 4040 QR trans, 4 post, 3600 orig hrs \$14,500  
JD 2140, 75 hp same as JD 2750, overhauled \$11,000  
JD 2030 w/new loader & joy stick \$11,000  
JD 2040 (2550) cab, Ind PTO hi-lo \$9,800  
Woods 6215 diesel, mowing machine 61" deck, new \$9,630  
JD 2130 dsl, ind PTO, w/146 ldr, 65hp \$9,500  
JD 2840 hi/lo, 2 hyd, 4800 hrs, gd cond \$9,200  
JD 4430 SR trans, 4 post, new head job \$8,800  
JD 2510 WF, overhauled motor \$7,300  
JD 4020 dsl, WF, SR trans, 1 hyd, 1966 \$7,200  
JD 2130, ind PTO, 1 hyd, new paint \$7,100  
JD 4010 dsl, NF, completely overhauled, new tires \$6,400  
JD 1120 ind PTO, new paint, good \$6,000  
L1200G Prime Mover Skid Ldr, 38hp, 1986 \$5,200  
JD 332 dsl lawn tractor w/mower \$4,000  
MF 35 gas deluxe in good working condition \$3,500  
JD 148 ldr w/valve & bracket for 4020 \$3,000  
JD factory wide front for 3020 thru 4020, new \$1,375  
JD yellow roof roll bars, fits 2510 - 4020's new \$950 EA.  
JD 4020 or 3020 toplinks brand new \$175 ea.  
Woods ldrs & snow blowers in stock at 20% off

Zimmerman Elevators & Wagon Gears, Pequea & Woods Equipment; Farmco Metal Feeder Wagons, Bale Bodies & Country Boy Gravity Bins; JD Front & Rear Weights J&L Hay Savers

### Reiff Farm Service


275 Goodhart Road, Shippensburg, PA 17257  
Interstate 81, Exit 10, 174 East, Goodhart Rd. Right  
Financing & Trucking Available  
(717) 532-8601

TRACTORS	HEADS	HAY
Case 2590, 18 4x42 duals, nice \$16,250	IH 843, 6RN \$4,900	Gehl 400 chopper w/grass head an 2 row narrow corn head \$2,650
IH 3788 2+2 Call	CIH 1063 \$10,500	NH 570 Baler, w/Thrower, Used Very Little \$11,000
IH 1086, w/Cab, T/A, Only 3200 Hrs \$12,500	IH 844 \$2,600	NH 489 Haybine \$1,200
IH 1586, 20 8x38 Duals, 540-1000 PTO \$14,900	JD 643 \$10,200	CIH Sickle Bar Mower \$1,600
IH 1486 \$13,750	(2) JD 920 \$8,300 - \$8,700	
'83 Case 2290 2/Duals, Only 2700 Hrs \$15,800	CIH 1020, 22' \$11,500	
'98 Case IH MX100, 2WD 90 Hrs, Warranty \$33,500	CIH 1020, 20' flex head \$7,700	
MF 3545 MFD \$21,750		
MF 1135 w/Cab \$7,700		
MF 275 \$7,200		
MF 165, one owner \$6,400		
AC 7000 w/cab, power shift, one owner \$8,500		
COMBINES	TILLAGE	MISCELLANEOUS
'91 JD 9500, 1100 Sep, 1700 Engine Hrs, Fully Equipped, Sharp \$49,500	IH 720 4x18 plow \$2,900	JD 750, 15' no-till drill \$13,800
'86 CIH 1680 standard rotor, rock trap, chopper, grain loss monitor, cross flow fan, 2300 hrs, always shedded, very good cond \$35,000	Dunham Lehr 21' rock flex disc \$6,100	JD 15' Rotary Hoe.....\$900
CIH 1680 2900 hours \$35,500	DMI 9 shank disc chisel - ripper combo \$4,900	Case IH 5100 Grain Drill, Press Wheels, Grass Seed Box.....\$4,400
	Sunflower 16' mid-fold disc \$4,600	Kill Bros. 475 Grain Cart \$4,700
	White 4 bottom plow \$875	JD 70 skid loader \$3,600
	Case 4 bottom plow \$775	IH 5100 w/press wheels \$2,800
	Brillion 9 shank disc chisel w/leveler \$4,600	
	White 445 disc chisel w/3 ripper shanks \$5,800	
	White 24' rock flex disc, new blades, v nice \$5,900	
	Hutch Master 12' heavy duty disc \$4,200	
	Kewanee 21' disc \$4,900	
	Krause 19' disc \$4,500	
	Glenco 9 shank disc chisel \$3,900	
	Case 9 shank disc chisel \$4,100	

## Binkley & Hurst Bros. Inc. Has A Heavy Duty KNIGHT In Stock For You!

### Retire Your Current Spreaders

Get the soil nutrients needed to grow your corn crop this year. If you have pen pack, sticky feed lot or slurry-type material that needs to be spread fast...and spread evenly, you need the KNIGHT PRO-TWIN SLINGER.



DIMENSIONS	8014	8018	8024	8030
Weight (lbs.) - tow / truck	3700 / NA	5520 / 5200	6194 / 6000	8785 / 7270
Height	w/ 19 x 16 1 tire = 57" w/ 14L x 16 1 tire = 60 1/2"	w/ 16 5 x 16 1 tire = 65 1/2" w/ 10 00 x 20 tire = 65 1/2"	w/ 19 x 16 1 tire = 77" w/ 15 x 22.5 tire = 77"	w/ 21.5 x 16.1 tire = 81" w/ 18 x 22.5 tire = 82.5"
- low - single	NA	50" above trk frame	59 1/2" above trk frame	64" above trk frame
- tandem	add 4"	add 4"	add 4"	add 4"
- truck	add 9 1/2"	add 9 1/2"	add 9 1/2"	add 9 1/2"
with wood rails	NA	contact factory	contact factory	add 20 1/2"
with splash guard	63 62 / 69 65	67 / 74	71 / 78	90 / 96
with lid	19 x 16 1 = 95"	16.5 x 16.1 = 98 1/2"	19 x 16 1 = 106"	21 5 x 16.1 = 111"
Width at top (inside/outside)		10 00 x 20 = 93"	15 x 22 5 = 101"	18 x 22.5 = 108"
Width outside of tires - tow only		16"	16"	16"
Length inside hopper	14'	22' 10" / 18"	22' 10" / 18"	22' 10" / 18"
overall - tow / truck	20' 5"			
Capacity gals./cu.ft./cu.yds.				
w/o rails (struck level)	1241 / 165 / 6 1	1584 / 212 / 7 9	2176 / 291 / 10.8	2780 / 372 / 13.8
with 4" rails (struck level)	1426 / 190 6 / 7 1	1807 / 242 / 9 0	2400 / 321 / 11.9	3080 / 412 / 15 3

### SEE THE ALL NEW KNIGHT BOX SPREADERS

## 300 Bushel 1030 & 400 Bushel 1040


500 & 600 BUSHEL MODELS ALSO

FEATURING:

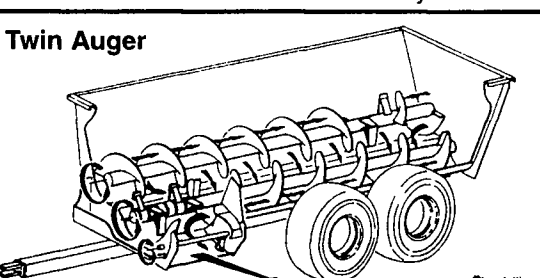
- 3/4", ultra-high molecular weight, solid poly floor
- Thicker, 10 gauge copper bearing steel sides and front featuring all-welded construction.
- 3/16" thick, all steel rear endgate.
- Variable speed hydraulic apron drive with tractor-mounted control.
- 26" rooster-comb beater.

10 Year Warranty on Side Rust Through and on the Poly Floor

### Binkley & Hurst Bros. Inc. Announces The Newly Introduced Larger Model Knight 800 Bushel or 4060 Gallon V Spreader



Model 8040  
With 23.1x26 Tires, Optional 28Lx26 Tires for Super Flotation, Haul Pen Packed or Slurry Manure Fast! See Us Today!



Cut-away view showing Patented Material Flow

Forged-Steel Hammer  
Each hammer has a nylon bushing and a replaceable manganese steel wear plate.

## BINKLEY & HURST BROS. INC.

133 Rothsville Station Rd.  
P.O. Box 0395, Lititz, PA 17543-0395  
(717) 626-4705 1-800-414-4705 Fax (717) 626-0996  
www.binkleyhurst.com