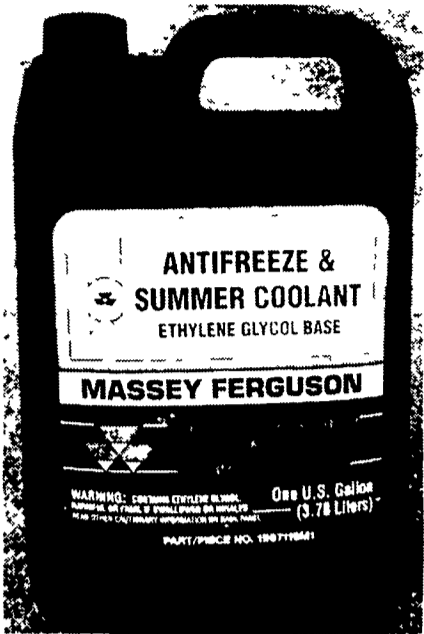


MASSEY FERGUSON®



Anti Freeze

Regular \$5.25

Sale

\$4.75

Buy a case at **\$4.50 ea.**



MASSEY FERGUSON® ORIGINAL PARTS

Massey Ferguson® is a wholly-owned subsidiary of AGCO Corporation



Leola, PA 17540
Phone: (717) 656-2321

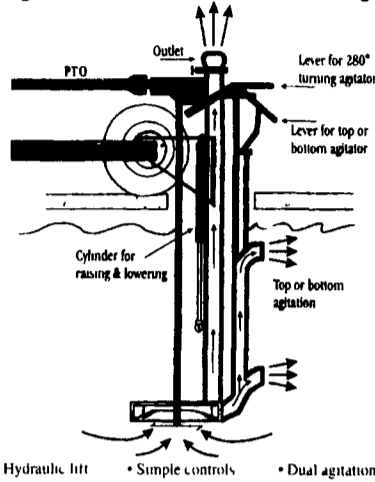
USED TRACTORS

- IH 1066, New TA, O.H. Engine, Cab & Air, Sharp.....\$13,900
- IH 1086, 1980 Model, 4900 Hrs.....\$13,900
- IH 1466, Cab & Air, sharp.....\$10,500
- IH 986, Cab & Air, 4,700 Hrs., Nice.....\$13,900
- IH 1066.....\$9,200
- IH 1066 Black Stripe, Bad TA.....\$8,600

USED EQUIPMENT

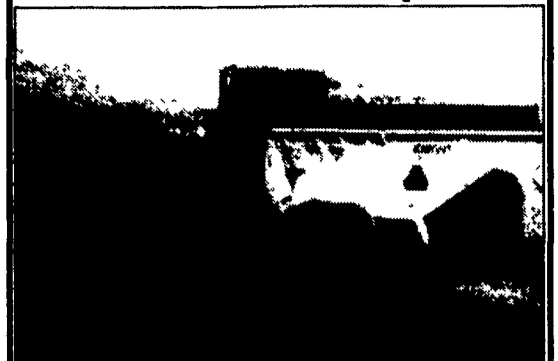
- Gehl 1540 Silage Blower.....\$1,450
- Gehl TR30-38 2R corn head.....\$1,400
- FNH 565 Baler (like new).....\$7,800

Liquid Manure Pit Pumps



MILLER'S REPAIR
1 Mile North of Bird in Hand
8 Miles East of Lancaster
Ph. 717-656-6109

Retire Your Current Spreader



Get the soil nutrients needed to Grow Your Corn Crop next year. If you have pen pack, sticky feed lot or slurry-type material that needs to be spread fast...and spread evenly, you need the KNIGHT PRO-TWIN SLINGER.

Several Models In Stock Now

- Patented Twin Auger Design
- Steep-Angle Sides
- 15 Forged-Steel, Free-Swinging Hammers
- 1,000 RPM Constant Velocity PTO
- Oil Bath Drive

KNIGHT Stop in and see the KNIGHT

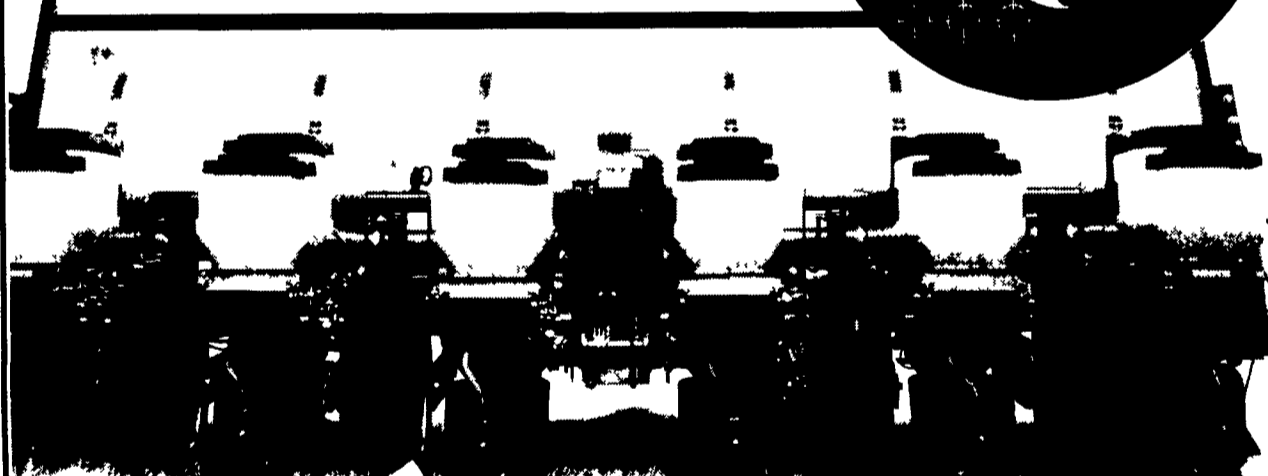
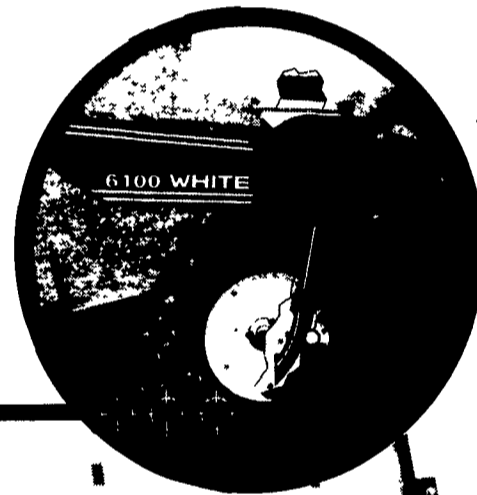
IN STOCK: Models 8014 (300 bu.) and 8018 (400 bu.) Slinger Spreaders In Stock!
ALSO: Knight Model 1030 Box Spreaders and Knight Models 3030 & 3537 Trailer Mixers In Stock.

Sales & Service
ROVENDALE AG & BARN EQUIP.
WATSONTOWN, PA 17777

570-538-9564 OR 570-742-4226
Exit 31, I-80 to I-180 Watsonstown Exit
Hours: Mon.-Fri. 8 to 5 Sat. 8 to 12

- 1993 J.D. 6400, 2566 Hrs, Power-Quad, 2 W.D., Dual Remotes, Quick Hitch, Front Wts, Front Tires, 10 x16, Rear 16 9x38
 - Monosem N.G. Plus, 4 Row Planter, Liquid Fert & Insecticide Boxes, Pull Type Hobbs Water Reel, Model A3450 AT, 1100', 4 1/2" Hose Mechanical Transplanter, Model L-900, 1-Row Pot Planter
 - 4R Cultivator, Case 1 H Model 183, S-Tine
 - 4R Cultivator, J.D. 825
 - John Blue 4 Row Fert. Applicator with New Pump & Knives
 - 4 Row Anhydrous Applicator, 200 Gal Tank, New John Blue Nitrolator
- 609-561-1153
609-561-1404

On The Mark, Get Set, Grow!



The 6100 Series Rigid And Vertical Fold Planters.

Precision farming starts with precision seed placement. And that's exactly what you'll get with the White 6100 Series planters. Our pull-type planters feature an exclusive air-metering system that's designed to singulate every seed. Its low air pressure, edge-drop seed discs and short, 18" seed drop ensure precise seed placement for maximum germination.

Adaptable To Any Tillage Situation.

Our 4, 6, 8 and 12 row planters have the flexibility to meet most tillage

practices both now and in the future. They're built rugged with a massive 7" x 7" frame and strong, welded-tongue design to handle the demands of heavy residue. Add a 6900 splitter attachment for interplant capability.

This season get the planter that places each seed where it'll grow the best — and perform the best. Stop by your AGCO® White Planter dealer today.



See Your AGCO White Dealer Listed Below.

- Delaware**
- Georgetown
Baxter Farms
- Maryland**
- Dayton
J.D. Mullinix
- Pennsylvania**
- Bechtelsville
Miller Equipment
- Bethel
Zimmerman's Farm Service
- Elizabethtown
Hernley's Farm Equip
- Glen Rock
Wertz Farm & Power Equip.
- Greencastle
Meyers Implements
- Klingerstown
Stanley's Farm Service
- Lebanon
Umberger's of Fontana
- Oakland Mills
Peoples Sales & Service
- Somerset
Lincoln Supply

WHITE
AGCO
MESSTON BUSH HOG

USED EQUIPMENT

- Deutz DX120 Tractor, 4WD
- White 2110 Tractor, 4WD
- White 6085 Tractor
- White 288 Tractor
- White 435 Disc Chisel
- White 281 10' Offset Disc
- White 5100 6R Liquid
- White 6100 6R Planter
- Kinze 6R Planter
- White 5400 4R Planter
- JD 7000 6R Planter
- Gleaner 6R 30 Hugger Head
- NI 5112 Mower Conditioner
- Hesston 1160 14' Windrower
- Fox 2200 Forage Harvester
- Miller Pro Forage Boxes in Stock
- NI 3622 Spreader
- NH 795 Manure Spreader
- IH 6200 Drill
- Westfield 8x51 Auger

STANLEY'S FARM SERVICE
RD Box 46
Klingerstown, PA
570-648-2088
WE ALSO STOCK NEW VICON