

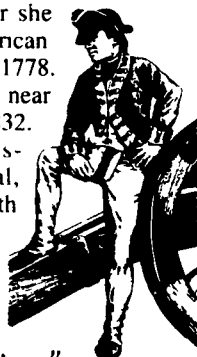


OCTOBER 11-17, 1999

COLUMBUS DAY, OCTOBER 11.

A PITCHER OF RELIEF

Molly Pitcher was pensioned by Pennsylvania in 1822, and if you can say that three times fast, you're quick-tongued indeed! Mary Ludwig Hays was nicknamed Molly Pitcher after she carried water to soldiers in the American Revolution's battle of Monmouth in 1778. She was born on October 13, 1754, near Trenton, New Jersey, and died in 1832. A rumor that she manned her husband's gun is probably apocryphal, likely stemming from confusion with Margaret Corbin (1751-1800), another American Revolution heroine and the first woman pensioned by the government



"... thirst is a dangerous thing."

- J. K. Jerome

The OLD FARMER'S WEATHER PROVERBS



If October bring much frost and wind, then are January and February mild.

If starlings and crows congregate together in large numbers, expect rain.

Dead nettles in abundance late in the year indicate a sign of a mild winter.

Twilight looming indicates rain.

TIP OF THE WEEK

To clean the surface of an iron, sprinkle salt onto a newspaper and rub the cold iron across it.

PICADILLO

- 1/2 cup chicken broth
- 2 onions, chopped
- 5 cloves garlic, minced
- 2 bell peppers, diced
- 1 pound ground chuck
- 1 can (15 ounces) tomato sauce
- 1/2 cup pitted green olives
- 2 tablespoons capers
- 2 tablespoons Worcestershire sauce
- 2 tablespoons cider vinegar
- salt and pepper, to taste



garlic and peppers and cook for another 5 minutes. Add meat and brown, then add tomato sauce, stirring well. Add remaining ingredients and cook for another 15 minutes. Adjust seasonings and serve over toasted rolls, Sloppy Joe style.

Makes 6 servings.

Heat broth in a large skillet and cook onions until translucent. Add

www.almanac.com

United Feature Syndicate

(Printed in the U S A)

200 Madison Ave
N Y, NY 10016
(212-293-8500)

Greencastle Livestock

Greencastle, Pa. October 4, 1999

CATTLE 501...PDA...SUPPLY INCLUDED 143 SLAUGHTER STEERS AND HEIFERS, 257 SL. COWS., 20 BULLS AND 81 FEEDER CATTLE...SLAUGHTER STEERS STEADY TO .50 HIGHER, COWS 1.50-3.00 LOWER, HEIFERS .50-.75 HIGHER, BULLS STEADY.

SLAUGHTER STEERS: HIGH CHOICE AND PRIME 2-4 1315-1450 LBS. 66.25-68.75, CHOICE 2-3 1075-1480 LBS. 59.75-66.25, SELECT 1-3 57.00-61.00, STANDARD 1-2 47.00-54.75.

HOLSTEINS: FEW HIGH CHOICE AND PRIME 2-3 1285-1305 LBS. 58.00-59.25, FEW CHOICE 2-3 1420-1650 LBS. 54.00-56.25, SELECT 1-2 44.00-52.00.

HEIFERS: HIGH CHOICE AND PRIME 2-4 1130-1225 LBS. 66.00-68.00, ONE 69.00, CHOICE 2-4 1050-1300 LBS. 58.00-65.75, SELECT 1-3 56.00-61.00, STANDARD 1-2 48.00-51.25.

SLAUGHTER COWS: BREAKERS 75-80% LEAN 36.00-40.00 WITH EARLY SALES TO 42.00, BONERS 80-85% LEAN 32.75-37.25, FEW DOWN TO 30.00, LEAN 85-90% LEAN 24.00-32.75. SHELLS DOWN TO 19.00.

BULLS: YG#1 1100-1810 LBS. 45.25-51.00, YG#2 950-1860 LBS. 40.25-44.25.

FEEDER CATTLE: STEERS MED. AND LARGE 1 385-490 LBS. 75.00-81.00, 500-630 LBS. 70.00-79.50, FEW 850-885 LBS. 64.00-67.00, MED. AND LARGE 2 300-500 LBS. 51.00-60.00, FEW 970-990 LBS. 51.00; HEIFERS MED. AND LARGE 1 330-465 LBS. 62.00-77.00, 500-650 LBS. 59.00-72.00, MED. AND LARGE 2 250-405 LBS. 49.00-65.00, 450-610 LBS. 53.00-55.00; BULLS FEW MED. AND LARGE 1 340-500 LBS. 65.50-87.00, MED. AND LARGE 2 235-485 LBS. 58.00-64.00.

CALVES: 509...VEALERS GOOD AND CHOICE 165-260 LBS. 76.00-90.00, STANDARD AND GOOD 80-105 LBS. 20.00-28.00, UTILITY 65-90 LBS. 12.00-20.00.

FARM CALVES: HOLSTEIN BULLS STEADY WEAK TO 15.00 LOWER...#1 HOLSTEIN BULLS 90-125 LBS. 65.00-105.00 WITH EARLY SALES UP TO 120.00, 80-90 LBS. 50.00-67.50, #2 80-110 LBS. 30.00-70.00, FEW 80.00; #1 HOLSTEIN HEIFERS 80-130 LBS. 200.00-345.00, #2 70-115 LBS. 100.00-190.00, 60-70 LBS. 47.50-100.00. BEEF TYPE BULLS AND HEIFERS 85-110 LBS. 70.00-118.00.

HOGS: 57...BARROWS AND GILTS 40-45% LEAN 320-379 LBS. 29.00-31.00. SOWS: US#1-3 280-480 LBS. 21.00-25.00, 500-680 LBS. 25.00-29.50, MEDIUM 305-455 LBS. 6.00-11.00.

BOARS: COUPLE 340 AND 655 LBS. 4.50 AND 5.50.

FEEDER PIGS: 0...NO MARKET TEST.

SHEEP: 52...SLAUGHTER LAMBS STEADY TO 5.00 HIGHER.

SLAUGHTER LAMBS CHOICE 45-65 LBS. 82.50-90.00, 65-85 LBS. 79.00-83.00, 90-110 LBS. 74.00-78.00, GOOD AND CHOICE 105-130 LBS. 60.00-71.00.

GOATS: BY THE HEAD, LARGE BILLIES 55.00-115.00, MEDIUM AND SMALL 30.00-65.00, LARGE NANNIES 40.00-49.00, MEDIUM 32.50-40.00, LARGE KIDS 19.00-41.00, SMALL 10.00-26.00 PER HEAD.

CHOICE 2-4 1100-1400 LBS. 68.00-70.00; SELECT & LOW CHOICE 1000-1500 LBS. 59.00-65.00; HOL. STEERS HI CHOICE & PRIME 1250-1400 LBS. 59.00-61.50; CHOICE 1200-1500 LBS. 56.00-59.00; SELECT, ALL WEIGHTS 49.00-53.00.

SLAUGHTER HEIFERS: 1.00 HIGHER. CHOICE & PRIME 950-1300 LBS. 66.00-68.50; SELECT ALL WEIGHTS 900-1400 LBS. 53.00-58.00.

COWS: STEADY. BRK. UT. & COMM. 2-4 BULK 37.00-41.00; HI DRESSING 42.00-45.00; CUTTER & BON. UT. 36.00-39.00; HI DRESSING 39.00-41.00; CANNER & CUTTERS 31.00-35.00; LOW DRESSING 30.00 DOWN.

BULLS: 1.00 HIGHER. ALL WEIGHTS 1100-1900 LBS. 44.00-56.00.

VEAL CALVES: STEADY. CHOICE AND PRIME 200-400 LBS. 74.00-85.00; HI GOOD AND LOW CHOICE ALL WEIGHTS 61.00-69.00.

FARM CALVES: STEADY. HOL. BULLS 100-125 LBS. 95.00-115.00; HOL. BULLS 85-95 LBS. 60.00-85.00; HOL. HEIFER CALVES 100-120 LBS. 210.00-285.00; SMALL FRAME 70-105 LBS. 120.00-165.00; SLAUGHTER CALVES ALL WEIGHTS 15.00-30.00.

FEEDER CATTLE: STEADY. BULLS & STEERS 400-900 LBS. 53.00-89.00; HEIFERS 300-700 LBS. 49.00-74.00.

LAMBS: 2.00 LOWER. CHOICE & PRIME 90-110 LBS. 73.00-79.00; LIGHTER LAMBS 90.00-100.00; EWES - HEAVY 24.00-27.00, LIGHT 31.00-43.00.

GOATS: STEADY. SMALL 20.00-30.00; MEDIUM 40.00-55.00; LARGE 90.00-110.00.

HOGS: STEADY. 210-250 LBS. 33.00-35.00; 255-300 LBS. 29.00-34.00; SOWS - HEAVY 21.00-26.00; SOWS-LIGHT 17.00-19.00; BOARS ALL WEIGHTS 8.00-11.00.

Aberdeen Sales Company, Inc.

Complete Auction & Appraisal Service
Churchville, Md.

Report Supplied by Auction
Wednesday, Oct. 6

SLAUGHTER STEERS: 1.50 HIGHER.

FOR SALE - MANURE

20-25 ton trailer loads
\$9/per ton depending
on distance

VINTAGE SALES STABLES, INC.

Paradise, PA 17562

(717) 442-4181

L. Robert Frame, President

WATERLESS TOILETS

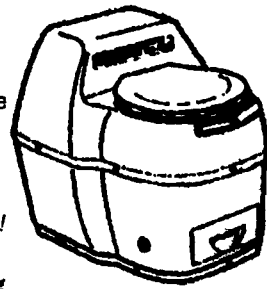
"SUN-MAR" Composting Toilets

Several models available including non-electric.
• NO Septic System
• NO Chemicals

Save the Environment!
Recycle Back to Nature!

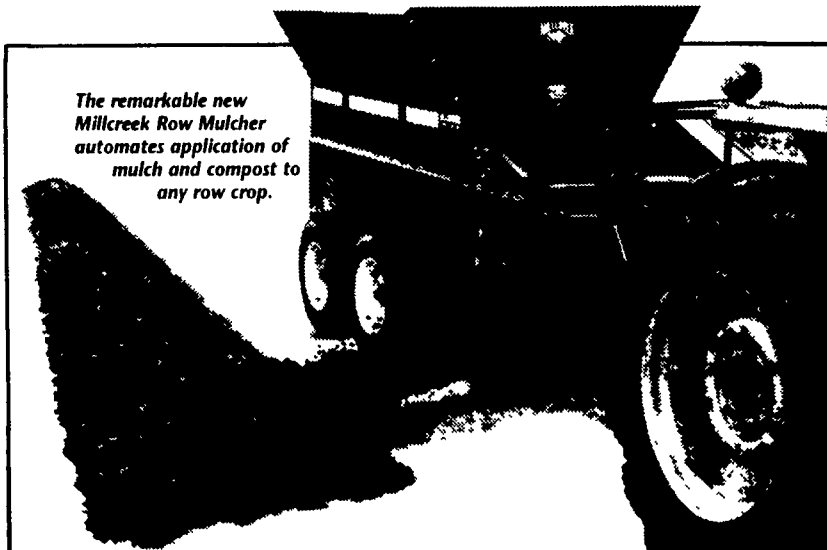
FREE:

12 Page Color Catalog



We Perform Septic Inspections & Certifications

ECO-TECH Call Today 1-800-879-0973



The remarkable new Millcreek Row Mulcher automates application of mulch and compost to any row crop.

Apply compost and organic mulch to any row crop automatically



The versatile Millcreek Row Mulcher makes different sized mulch beds as you need, from 18" to 48" wide, from 1/2" to 10" deep. A mulching program can help you produce a healthier crop while reducing pesticide requirements

From tree fruit to vegetable beds, from bramble crops to vineyards, organic mulch and compost can reduce chemical input for weed suppression, retain soil moisture, and improve soil fertility by adding organic matter to sandy and clay soils

Now Millcreek eliminates the costly labor needed for organic mulch and compost application. The remarkable new Millcreek Row Mulcher works with all types of organic material, and even lets you adjust the depth and width of the mulch rows.

Starting under \$5000, no other machine compares when it comes to capabilities, versatility, and cost effectiveness. Rugged construction. Five sizes, from 3 4 to 13 cubic yard capacity. Custom designs. Call today for a free color brochure, or to discuss your specific needs

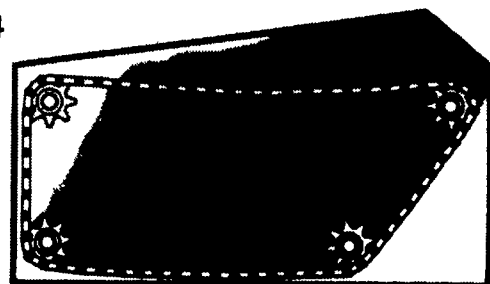
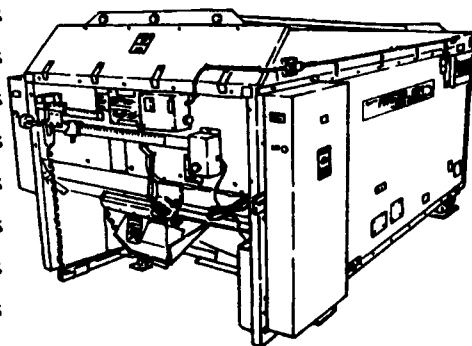


Bird-in-Hand, PA 17505 1-800-311-1323 www.millcreekmfg.com



RISSLER CHAIN MIXERS - TMR MIXERS

- Are Lower Cost Than A Reel Mixer.
- Handle Feed More Gently Than An Auger Mixer.
- Load Easier Than A Tumble Mixer.
- Should Outlast Any Steel Mixer.



A Fluffy Mix Results From The Gentle Tumbling Action.

448 Orchard Road
Mohnton, PA 19540
717-484-0551

RISSLER CHAIN MIXERS - TMR MIXERS

CAUTION

USE OF THIS MACHINE MAY RESULT IN HIGHER PROFITS

