

C6-Lancaster Farming, Saturday, May 29, 1999
 JD 2755 tractor, dual outlets, roll bar canopy, nice. \$16,500. 301-733-2195. MF 220 diesel, 2500 original hrs. MF 261 new, \$13,750. 570-222-9020.

White 378 4R s-tine cultivator, \$750; Int. 133 4R s-tine cultivator, \$750; Int. 5500 10-tooth chisel pull-type, \$1550; Int. fast hitch 5' rotary mower, \$595. 610/562-4464.

NH 3622 spreader w/gate. White 256 disc. 570-222-9020.

Katolight Generator on wheels, 56 KW, 1000 PTO, Phase 1, mounted on trailer. Just rebuilt in 7/98 and used only as an emergency electric supply backup. \$4,880 (800)468-5524 7 a.m. - 5 p.m. ask for Doug.

NH 489 haybine, good rolls, \$1800. 717-734-3139

AC 14' wing disc, excellent, \$1675; NH 258 rake w/dolly, \$2200; Int. 990 7' haybine, \$1550; NH 450 3pt rotary mower, \$875. 610/562-4464.

JD 1400 corn planter, no-till. JD 370 spreader w/gate. 570-222-9020.

NH 499 12' haybine, VG condition, asking \$4,500. Call (570)875-3338 days, (570)875-3928 eves..

WW grinder chipper, PTO drive 3pt, \$200. 717/529-2920.

1989 Case IH 1660 combine, only 1600 hrs., exceptional quality inside & out. very, very fancy. If your fussy this will do. Save thousands! \$48,500 Financing avail. Zeisloff Eq. 800-919-3322.

Just Arrived: JD 4430 Quad 1995 model, looks good, runs good \$14,900 Zeisloff Eq. 800-919-3322.

NH Unisystem w/husking unit, 3R, good condition, \$6500 OBO. NH 890 forage harvester, 2R corn head & hay head, good condition, \$4000 OBO. 717/529-2109.

Irrigation equipment, 7.6 & 4" pipe and fittings, small sprinklers 1" inlet, large sprinklers 3" inlet and stands, 1200G PTO 6x6 Hale pump. 717-733-4516.

JD 4420 combine, nice condition. JD 443 to tin corn head, exc condition. Must sell! best offer! 717-765-0347.

JD 4030 Tractor; JD 336 baler w/1/4 turn bale chute; NH 495 haybine (540)854-7760.

Flexbale mover, like new, \$3,900. 570-222-9020.

Cab off of IH 1466, very nice \$450. Cabs for IH966 & Case 930. 717-529-4066 8am-8:30am

IH 5088 cab, A/C, 18x38 w/duals, field ready, Leaman Tractor, 717-464-2874.

POWER SYSTEMS ELECTRIC, INC.



SPECIALIZING IN GENERATOR SALES, SERVICE AND RENTALS
 Myerstown, PA

(717) 933-5617 (800) 875-6964

(2) 65 KW Ford L-P-G

(1) 60 KW Chrysler LPG

New PTO Generators in Stock

New & Used Transfer Switches

USED EQUIPMENT



MASSEY FERGUSON 5650 COMBINE
 4 Row Corn, 13' Grain Head, Less Than 300

TRACTORS

Agco Allis 9630 - NEW
 Agco Allis 5680 - NEW
 Allis Chalmers 5050, 2WD, Perfect Shape, New Tires
 Agco Allis 5670 w/SOLD py - NEW
 Allis Chalmers D17 Series IV
 Deutz Allis 6240 w/New Quick Tach 456 Loader, 162 Hrs.
 Allis Chalmers 5040, Perfect Shape, New Tires
 Agco Allis 5650 - NEW
 Allis Chalmers 6140

SKID STEERS

743 Bobcat - NEW
 753 Bobcat - NEW
 763 Bobcat - NEW SOLD
 763 Bobcat - US SOLD
 843 Bobcat, Hi Flow, w/Cab Enclosure
 440 Mustang
 675 John Deere
 575 John Deere
 L455 New Holland
 1825 Case
 1835 Case

GRUMELLI'S FARM SERVICE INC.

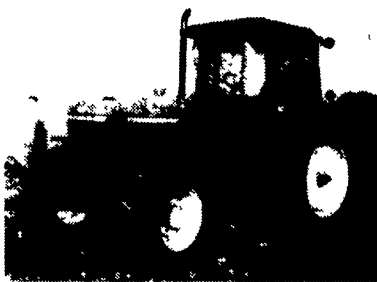
929 ROBERT FULTON HWY.
 QUARRYVILLE, PA 17566
717-786-7318
 1.5 Mile South Of Quarryville On 222
 See Salesmen: Tony Grumelli, Don Fichtner

LESTER HORNING

585 Indiantown Rd • Ephrata, PA 17522

717-738-1677

JD 2955 Diesel
 4WD, Cab,
 Air, Hi-Lo,
 Nice
\$22,900



TRACTORS

NH 555 w/Kubota diesel skid loader.....\$7,900
 NH LX665 Diesel, 50 HP, 1900 hrs., nice.....\$12,900
 Case 1840 Diesel Skid Loader, 1800 hrs., nice \$10,500
 JD F525 hydro, 48" deck, nice.....SOLD.....\$1,450
 JD 630 gas, NF, very nice.....\$4,700

TILLAGE EQUIPMENT

Brillion 7T chisel plow stretch frame, 3 pt, high clear.....\$1,200
 Glenco 7T soil saver good cond.....\$2,850
 JD 7000 planter, 4x30, no fert., nice.....SOLD.....\$2,400
 JD 7000 planter, 4x38, dry fert.\$2,100

FORAGE & HAY EQUIPMENT

Case IH 600 blower, good cond.....\$2,200
 Gehl 970 wagon, 3b, roof, single axle.....\$4,850
 NH 451 sickle mower, 3 pt.....\$1,250
 NH 311 baler w/chute, nice.....\$4,250
 NH 276 baler w/58 thrower, nice.....SOLD.....\$3,500
 NH 278 baler w/58 thrower.....\$2,400
 NH 880 hay head, very nice.....\$550
 NH 770 hay head, nice.....\$475
 Ford NH 40 blower, 1000 RPM.....SOLD.....\$975

MISCELLANEOUS EQUIPMENT

NH 353 grinder mixer, nice.....\$2,400
 Gehl 100 grinder mixer, hyd. drive, scales, as is.....\$1,650
 JD 30 thrower, fits JD-336, 346 balers.....\$450
 Hi-Co 6' 3 pt. grader rake.....\$450
 5' 3 pt. grader rake.....\$375
 6' King Cutter finishing mower, 3 pt.....\$650
 5' King Cutter finishing mower, 3 pt.....\$550



Case 590 SK Turbo
 \$40,900
 Case 590 SL Turbo
 \$44,900



Caldwell Grain Cart
 500 Bu., Like New
 \$6,495

CORN PLANTERS

White 5104, 4RN, Dry Fertilizer
 JD 7000, 6RN, Liquid

HAY & FORAGE

Case IH 8545 Baler w/Thrower
 CIH 600 Forage Blower
 Gehl 1540 Forage Blower
 New Holland Forage Blowers
 IH 1190 Mower Conditioner
 NH 456 Sickle Bar, Pull Type
 Rhino 7' 3pt. Rotary Mower

TRACTORS, LOADERS, BACKHOES

Case IH 5130, 2WD, ROPS
 Case IH 8920, MFD
 Case 1845C, Clam Bucket, 500 Hours
 Case 1840 Uniloader
 Case 580K, Cab, 4WD, Extendahoe
 Case 1450B, Crawler Loader, Good UC
 JD 300D, 4WD, ROPS, Extendahoe
 MF 40 Tractor Loader, No 3 Pt.
 MF 40 Tractor Loader w/3 Pt.

MISCELLANEOUS

IH 480 Disk Harrow 14' Finish Disk
 Brillion 10' Cultipacker
 Caldwell 500 Bu. Grain Cart, Like New
 Brady 14' Flail Chopper
 Hutchmaster 12' Offset Disk Harrow
 JD 450 Hydra Push Manure Spreader
 Bush Hog 7', 3 Pt. Rotary
 White 6 Row Cultivator

A. L. HERR & BRO

Established 1890
 Park Ave., Quarryville, PA 17566
 (717) 786-3521

We Ship Parts U.P.S.

CASE III

CASE

© 1999 CASE CORPORATION

Visit us on the Internet at <http://www.casecorp.com>

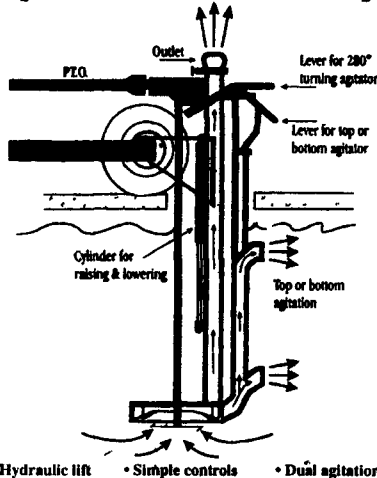
USED TRACTORS

• IH 1066.....\$7,800
 • IH 1066 Black Stripe, No 3 Pt.....\$8,200
 • IH 1066.....\$9,200
 • IH 1066 Rebuilt Engine.....\$11,900
 • IH 1086, 1980 Model, 4900 Hrs.....\$13,900
 • IH 1466.....\$9,750
 • IH 1466, Cab, sharp.....\$10,500
 • IH 986 Cab & Air, 2000 Hrs.....\$11,900
 • IH 986, Cab & Air, 4,700 Hrs., Nice.....\$13,900
 • IH 986, Cab & Air, 475 Hrs, 1 of a Kind.....\$25,900

USED EQUIPMENT

• Gehl 1540 Silage Blower.....\$1,450
 • Gehl TR30-38 2R corn head.....\$1,400
 • FNH 565 Baler w/Thrower.....\$8,200
 • FNH 565 Baler (like new).....\$7,800

Liquid Manure Pit Pumps



• Hydraulic lift • Simple controls • Dual agitation



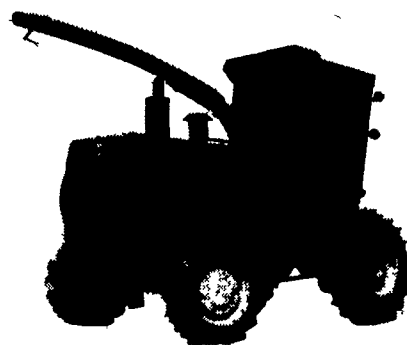
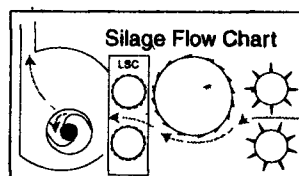
MILLER'S REPAIR

1 Mile North of Bird in Hand
 8 Miles East of Lancaster
 Ph. 717-656-6109



John Deere 5820 Harvester

With NEW LSC Kernal Processor Installed
 4 Row Narrow Corn Head &
 7 Ft. Pickup, Metal Alert, 2WD,
 3100 Hrs.,
 \$60,000



John Deere 5400 Harvester

With NEW LSC Kernal Processor Installed
 7 ft. Pickup, 3 Row Corn Head
 Hydraulic Connections For Dump Box
 Not An Import - Made In USA
 One Owner, 2500 Hours
 Very Nice Machine
 \$35,000

Other Harvesters Available

JD 3800.....\$3,500
 JD 3970 with Kernal Processor.....\$17,500
 JD 3950 with Kernal Processor.....\$15,000

Lancaster Silo Co.

2008 Horseshoe Rd., Lancaster, PA 17601
 717/298-3721

ANDERSON



IN LINE WRAPPER

Dealer Inquiries Welcome

Top Quality
 Top Results

Distributed by LeRay Sealed Storage

25413 Pink Schoolhouse Road, Evans Mills, NY 13637

(315) 629-4143 • Fax (315) 629-5854

Web Site: www.gisco.net/lerayss