

Franklin County Holstein Club Meets

(Continued from Page A29)

for winning the Jr. All-Pa. senior 3-year-old; and Benjamin Mickey of Waynesboro for winning the honorable mention Jr. All-Pa. 5-year-old.

In other junior member recognitions, the winners of the county

youth division production awards were announced.

Kala Cordell of Chambersburg had the top 2-year-old producer of milk and protein.

Thomas Harwood of Shippensburg had the top producing 2-year-

old for fat, the top 3-year-old for milk and protein production, the top 4-year-old for milk and protein, and the top aged cow for fat production.

Benjamin Cashell was honored for having the top 3-year-old for fat production.

Matthew Martin of Mercersburg was recognized for having the top aged cow for milk and protein production.

Among the adult members, Robert and Elam Meyers, of Meyers Brothers Farm in St. Thomas, were recognized for having the top producing cow in the county that is tested through the Pa. Dairy Herd Improvement Association. Their Ro-Meyer Starbuck Delores made 43,091 pounds of milk and 1,536 pounds of protein in 1998.

Directors of the Franklin County Holstein Club are Richard Crider of Chambersburg, president; Elam Meyers of St. Thomas, vice

president; Marcus Martin of Mercersburg, secretary-treasurer; Alan Meyers of Greencastle, state director; Robert Eckstine of Mercersburg, show chairman; Dale Lehman of Chambersburg; Kevin Horst of Chambersburg; Alvin Meyers of Chambersburg; Roger Crider of Chambersburg; Dale

Rice of Chambersburg; and Garry Zimmerman of Mercersburg. Club member James Burdette is currently serving as president of the Pennsylvania Holstein Association.

For more information on the Franklin County Holstein Club, call the Franklin County Extension at (717) 263-9226.

Lancaster Farming



Check Out Our Web site

www.lancasterfarming.com



Franklin County Holstein Club honors its junior members whose animals earned 1998 All-Pennsylvania recognition. From the left are Justin Burdette, Jessica Eshelman, and Kyle Burdette. Robert Meyers and Elam Meyers are recognized for having the county's 1998 top milk and protein producing registered Holstein on test with Pa.DHIA.

TRACTOR & TRUCK PULL

Carroll County Agricultural Center • Westminster, MD

9:00 a.m. - Farm Stock*
6,000, 8,000, 13,000, 16,000
12:00 Noon - A pedal pull for kids ages 4 to 8.
1:00 p.m. - Point Pull - Featuring Two-Wheel and Four-Wheel, Modified and Super and Pro-Stock Tractors

SUN **APRIL 25** 1999
Rain Date Sun. May 2

*An exhibition pull by "Canned Heat" - of New Alexandria, Pa. - the only pulling dragster in the U.S.!

Breakfast starts at 9 a.m. Pit beef, BBQ Chicken Platters & Ice Cream
SERVED ALL DAY

For Information or Directions,
Call 410-848-6704

Admission
\$10
Under 7 FREE

This is the biggest fund raiser of the year for the Carroll County Ag Center.

eastern llama & alpaca festival

April 24th & 25th, 1999

10:00 am - 5:00 pm

Lebanon Valley Expo Center
Lebanon, PA

DURING EVENT
(717) 228-2828
PRIOR TO EVENT
(610) 589-1560



COME SEE WHY LLAMAS & ALPACAS...

- Make great pets
- Produce fine fiber
- Only need an acre for four
- Are easy to feed & care for
- Are a lifestyle investment

Hands On Learning ~ Talk to their owners from over 45 farms

FIBER ROOM

Complete Demos on Fiber Processing
From START to FINISH!

DEMONSTRATION

History of Llamas & Alpacas
Basic Care • Grooming • Shearing
Packing • Spinning • Obstacle Course
Lead-A-Llama • and much more!

DON'T MISS

Jackpot Obstacle & The Llama Drill Team

FREE ADMISSION
Rain or Shine - Under Roof

Lead a Llama!
Refreshments will be available

- From exit 20 of PA Turnpike, take 72 North and follow llama signs.
- From I-78, take 72 South through Lebanon and follow llama signs

Some Llamas & Alpacas available for purchase



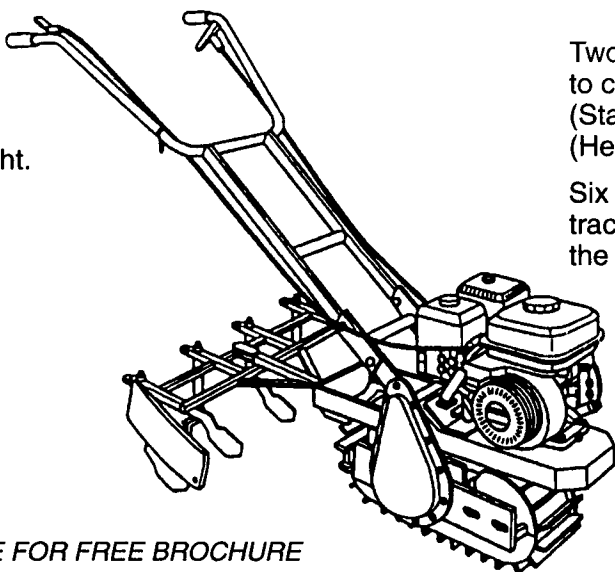
448 Orchard Rd.
Mohnton, PA 19540
(800) 436-5623

New 1999 Trak-Hoe

One Year Limited Warranty

Handlebar's Adjustable to comfortable height.

Adjustable width and self aligning attachment. (Five options available)



Two Honda Engines to choose from. (Standard Duty) (Heavy Duty)

Six inch wide track, that floats with the terrain.

CALL OR WRITE FOR FREE BROCHURE

AUTHORIZED DEALERS:

Martin's Lawn & Garden
GOODVILLE, PA
(717) 445-5103

Cedar Crest Eq.
LEBANON, PA
(800) 646-6601

NE Small Engine
NEW ENTERPRISE, PA
(814) 766-2117

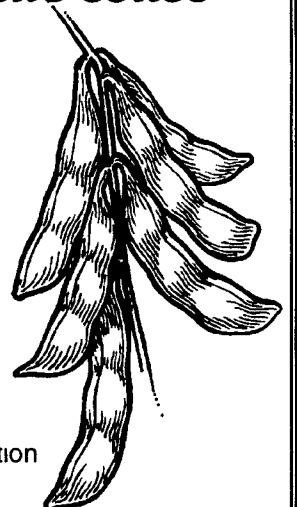
Burkholder Eq.
SHIPPENSBURG, PA
(717) 532-3360

DEALER INQUIRIES WELCOME

Sell your beans?

"It just doesn't make sense"

1. Why lose the 18% high energy oil in your own beans?
2. Why let the soybean processor take the valuable lechicin?
3. Why forfeit 50% of the metabolizable energy over SBM?
4. Why pay storage, trucking and shrink?



Be sensible!
Let **SCHNUPP'S** custom roast your Soybeans

Receive the value of added fat in your ration - MORE MILK

Get the most By-Pass Protein available in your beans - MORE PROTEIN UPTAKE

Keep all the nutritional components originally in the soybean. - MORE FLEXIBILITY

Soybeans are valuable, keep profits at home! - MORE FARM INCOME

ROAST-A-MATIC GRAIN ROASTING
Sales-Service Roast-Cool Unit Available Custom Work

SCHNUPP'S
GRAIN ROASTING
RD6, LEBANON, PA

1-800-452-4004

(717) 865-6611

David N. Groff
RD 3, Lewisburg, PA (717) 568-1420