

Partnership

(Continued from Page A1)

Bay Foundation Partnership and Chesapeake Bay Initiative, is one example where stream bank fencing is catching on.

"We've been finding ever-growing interest in stream bank fencing as a major restoration tool," said Wise.

He told those assembled on a laneway leading to a bridge over the Muddy Run Thursday morning that the program has been "very, very effective."

Tour group members watched as a track hoe with a ram hammer, a jackhammer to break up large pieces of rock, was used to take down a two-tier dam system on the tributary. The track hoe, at a cost of \$100 an hour, according to Pequea-Mill Creek Project leader Frank Lucas, Natural Resources Conservation Service (NRCS), was provided through funds from the Pennsylvania Fish and Boat Commission.

According to Wise of the Chesapeake Bay Initiative, 2,600 feet of stream bank fencing was installed during the tour. Wise said in the Pequea-Mill Creek Watershed alone, another 600 miles of stream bank fencing can be installed to protect the banks from cattle and to restore life in and out of the stream.

"We've made a dent, but we still have a long way to go," Wise told the group, assembled after the tour for dinner at the Bird In Hand Restaurant.

The watershed, in central Lancaster County, encompasses 135,000 acres, or 22 percent of the county. It has 1,000 small farms. About 75 percent of the farms are

Amish, according to Lucas.

Lucas provided a slide show to the members of the group at the luncheon. The first farm he fenced in the state was in 1992, and within six weeks, lush vegetation began to fill the stream banks.

Since then, on many such projects in the watershed, fish life has returned to the stream, including white suckers, carp, banded killifish, creek chubs, and tessellated darters. Some of the projects in the watershed have seen ducks, songbirds, blue herons, and other avian species return to the watershed.

During the tour, Lucas told the group that, at the Miller farm, the Muddy Run is designated as a second order stream, though it measures 40 or so feet wide, in spots. It should measure half the size it is.

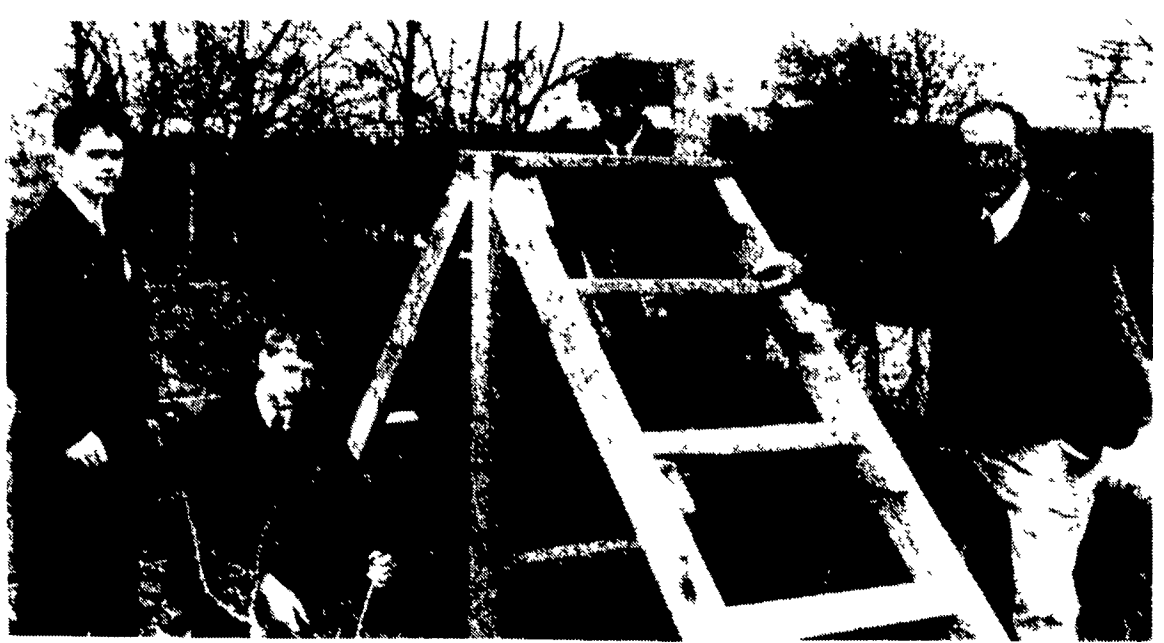
To do so, a track hoe was brought in to remove a tiered dam system, placed years ago as a water source for the farm. The bottom tier was constructed too long ago that no records exist.

The top tier, of concrete blocks, was installed in the '60s, according to Lucas.

There are 40 farms on the stream, according to the project leader. Twenty have been fenced already — a little more than five miles. Three more farms on the stream will be fenced in the summer, Lucas noted.

The benefits of getting livestock out of the streams are plentiful. Getting cows wet and dirty, according to the experts at the tour, only creates mastitis problems, to the tune of \$180 per cow per year, according to Wise. Lucas tells pro-

(Turn to Page A34)

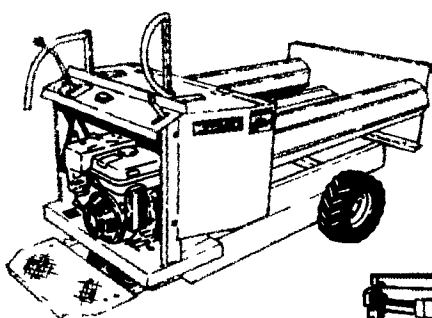


Through the work of the Hans Herr FFA at Lancaster Mennonite High School, stream bank fence crossings, or stiles, were constructed and drilled in place along the stream. Attending the tour and installing the stiles were, from left, Jason Rohrer, Jason Breneman, James Mast, Jeff Smoker, and FFA adviser Lem Metzler.

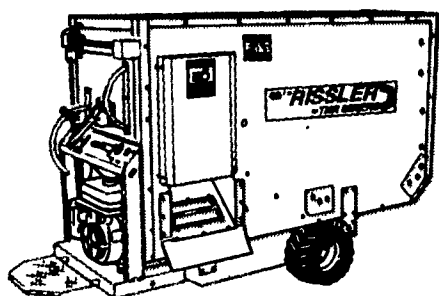


Mike Hollins of Ecosystem Recovery Enterprises of New Freedom, center, directed a group of volunteers and young people on probation, together with probation officers, to install stream bank plantings.

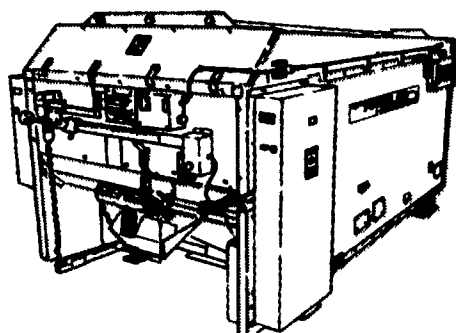
I. H. RISSLER™ MIXERS & FEEDERS



ROUND BALE FEEDERS



MIXING CARTS



STATIONARY MIXERS

STANDARD ON ALL MIXERS

- * Poly-Clad Plywood Sides
- * Heavy-Duty Mixing Chain
- * Stainless Steel Floor & Trough
- * Discharge Magnets
- * Beam Scales

PRACTICAL IN DESIGN
DEPENDABLE IN ACTION

I. H. RISSLER MFG. COMPANY

448 Orchard Road
Mohnton, PA 19540 Phone: 717-484-0551

Regional Dealers

ROMBERGER FARM SUPPLY
KLINGERSTOWN, PA
717-648-2081

McMILLEN BROS.
LOYSVILLE, PA
717-789-3961

McNEAL FARM SERVICE
TOWANDA, PA
570-364-5460

DONALD NISSLEY
WILLOW STREET, PA
717-786-7654

R L BAUGHMAN & SONS
BARN EQUIPMENT
TOWNVILLE, PA
814-967-4115

ED RISSLER MFG.
NEW ENTERPRISE, PA
814-766-2246

CEDAR CREST EQUIPMENT
LEBANON, PA
800-646-6601

GLENN ZIMMERMAN
KUTZTOWN, PA
610-682-2692

ART DETWEILER
DANBORO, PA
215-348-3117

SOMERSET BARN EQUIPMENT
SOMERSET, PA
814-445-5555

FRANKLIN FARM SERVICE
LACEYVILLE, PA
570-869-2407

THOMAS L ZARTMAN
EPHRATA, PA
717-733-1050

HESS EQUIPMENT
SALES & SERVICE
MIFFLINBURG, PA
570-966-1998

ROVENDALE AG & BARN EQUIP.
WATSONTOWN, PA
570-538-9564

LANCHESTER SERVICE
NARVON, PA
610-273-9060

STAR SILO
MYERTOWN, PA
1-800-431-7709

JOE MARKOVITCH
MONTROSE, PA
570-278-3637

DAIRYMEN SPECIALTY CO.
HARRISONBURG, VA
540-433-9117