



Phila. Veg.

PHILADELPHIA Terminal
Prices as of 10-FEB-99

Provided by: Fruit and Vegetable Market News, Federal-State Market News Service, USDA.

Phone: (215) 597-4536 Fax: (215) 336-0355

Partly Cloudy 41-48
NA—FV020

VEGETABLES—ARTICHOKES: ctns AZ 12s fr cond 16.00 18s fr cond 18.00 24s fr cond 18.00 CA 24s fr cond 16.00 ---
ASPARAGUS: MARKET ABOUT STEADY pyr ctns/crts 28 lb bchd CA All Green lge 36.00 std 38.00 sml 33.00 MX All Green exlge 30.00-32.00 lge 36.00-38.00 mostly 37.00-38.00 some 34.00 std 37.00-38.00 mostly 38.00 sml 33.00-36.00 11 lb ctns/crts bchd CA All Green lge 15.00 std 15.00 MX All Green lge 14.00

---**BEANS:** MARKET ABOUT STEADY buctns/crts FL Round Green Type Handpicked 12.00 one lot 14.00 some 10.00 Machine Picked 11.00-12.00 mostly 12.00 some 10.00 fr cond 8.00 ---
BEETS: MARKET ABOUT STEADY ctns bchd TX 12s 10.00 25 lb flmbgs lse CD med 5.50 ---
BROCCOLI: MARKET LOWER ctns AZ bchd 14s 7.00-7.50 previous commitments lower. Crown Cut 7.00-9.00 CA bchd 14s 6.50-7.50 mostly 7.00 Crown Cut 7.00-9.00 mostly 7.00-8.00 ---
BRUSSELS SPROUTS: 25 lb ctns CA 14.00-16.00 ---
CABBAGE: MARKET ABOUT STEADY 1 3/4 buctns & 50 lb ctns AZ Red Type med 10.00 FL Round Green Type med 6.00-7.00 mostly 6.00 some 5.00 Red Type med 8.00 NY Round Green Type med 6.00 TX Round Green Type med 7.00 50 lb sks CD CD One Round Green Type lge 5.00 NY Round Green Type lge 5.00 1 3/4 buctns & 40 lb ctns FL Savoy Type med 8.00 ---
CARROTS: MARKET JBO LOWER, OTHERS ABOUT STEADY. sks 48 1-lb flmbgs CA Topped med-lge 11.00-12.00 mostly 11.00 FL Topped med-lge 9.00 sks 24 2-lb flmbgs CA Topped med-lge 10.00 sks 16 3-lb flmbgs CA Topped med-lge 10.00 sks 10 5-lb flmbgs CA Topped med-lge 10.00 50 lb sks lse CA Topped jbo

12.00 CD CDOne Topped jbo 8.50-9.00 mostly 9.00 ctns 24 1-lb flmbgs CA Baby Peeled 14.00 ctns 20 1-lb flmbgs CA Baby Peeled 13.00 ---
CAULIFLOWER: MARKET LOWER ctns flmwrpd AZ 12s 9.50 CA 12s 8.00-9.50 mostly 9.00 16s 8.50 Green 12s 16.00 ---
CELERY: MARKET ABOUT STEADY ctns CA 2 dz 9.00-11.00 mostly 9.00 2 1/2 dz 9.00-10.00 some 11.00 3 dz 8.50 flmbs 30s 12.00-13.00 FL 2 dz 9.00 2 1/2 dz 9.00 3 dz 8.50 ---
CHINESE CABBAGE: celcrts FL 9.00-10.00 50 lb ctns CA Nappa 13.00 ---
CORN-SWEET: MARKET LOWER wbcrt FL Yellow 4 dz min 8.00-10.00 mostly 10.00 White 4 dz min 10.00-12.00 mostly 10.00-11.00 ---
CUCUMBERS: MARKET SLIGHTLY HIGHER WAXED 1 1/9 buctns/crts MX med 19.00-20.00 fr qual 12.00-14.00 ord qual 10.00-12.00 ---
EGGPLANT: MARKET LOWER 1 1/9 buctns wrpd FL med 8.00 MX 18s 6.00-7.00 mostly 7.00 24s 6.00-7.00 mostly 7.00 ---
ENDIVE: MARKET LOWER 1 1/9 buctns/crts FL 8.00-10.00 mostly 8.00-9.00 ---
ESCAROLE: MARKET LOWER 1 1/9 buctns/crts FL 8.00-10.00 ---
GARLIC: MARKET STEADY 30 lb ctns AG BOAT White #7 38.00 CL BOAT White super col 42.00 col 38.00-39.00 super jbo 36.00 #7 38.00 ---
GREENS: MARKET ABOUT STEADY ctns bchd AZ Swiss Chard 24s 9.50 Red 24s 9.50 CA Swiss Chard 24s 10.00 Red 24s 10.00 TX Kohlrabi 12s 10.00 Swiss Chard 24s 10.00 Red 24s 10.00 ctns/crts bchd GA Collard 6.00 Kale 6.00 NC Collard 5.00-6.00 mostly 6.00 Kale 5.00-6.50 mostly 6.00 Mustard 7.00 Turnip Tops 7.00 Rape 7.00 ctns lse CA Kale 24s 11.00 Flowering 24s 10.00-12.00 20 lb ctns AZ Broccoli Rabe 16.00 MX Broccoli Rabe 12.00 fr cond 8.00-10.00 ---
LETTUCE-ICEBERG: MARKET ABOUT STEADY ctns AZ 24s 8.50-10.00 mostly 9.00-10.00 Wrapped 24s 10.00-12.00 mostly 10.00 30s 10.00 CA 24s 9.50-10.00 mostly 10.00 Wrapped 24s 11.00 ---
LETTUCE-OTHER: MARKET LOWER ctns AZ Boston 24s 9.00-9.50 Green Leaf 24s 8.00-9.00 mostly 9.00 Red Leaf 24s 8.00-9.00 mostly 9.00 CA Green Leaf 24s 9.00 Red Leaf 24s 9.00 FL Boston 24s 6.00-8.00 few 5.00 flt ctns FL Bibb 24s 6.00-7.00 mostly 7.00 2.5 lb ctns CA Mesculin Mix 6.50-8.00 ---
LETTUCE-

ROMAINE: MARKET ABOUT STEADY ctns AZ 24s 9.00-11.00 mostly 10.00-11.00 CA 24s 10.00-11.00 FL 24s 7.00 1.3 buctns AZ 24s 12.00 ---
MUSHROOMS: MARKET STEADY 10 lb ctns PA lge 12.00 med-lge 12.00 med 9.00-9.50 4 qt bkts PA med-lge 5.00 sml-med 4.00 5 lb ctns PA Oyster 15.00 Cremini 7.00 Portobellas 7.00-7.50 3 lb ctns PA Shiitake 12.00-12.50 fair qual 6.50-9.50 ctns 12 8-oz trays flmwrpd PA 8.00-8.50 ctns 10 12-oz trays flmwrpd PA 9.00-9.50 ctns 10 10-oz trays flmwrpd PA 8.00-8.50 ---
OKRA: OFFERINGS INSUFFICIENT TO QUOTE ---
ONIONS GREEN: MARKET ONSG HIGHER, LEEKS ABOUT STEADY. ctns bchd CA 48s 7.00-7.50 MX 48s 6.50-8.00 mostly 7.00-7.50 TX Bulb Type 24s 12.00 CA Leeks 12s 10.50 MX Leeks 12s 10.00-12.00 TX Leeks 12s 12.00 ---
PARSLEY: MARKET ABOUT STEADY crts bchd FL Curly 60s 10.00 TX Root 12s 14.00 ctns bchd AZ Curly 60s 10.00 Plain 60s 10.00 TX Curly 60s 11.00 Plain 60s 12.00 ---
PARSNIPS: MARKET STEADY 25 lb flm sks lse CD 13.00 ctns 12 1-lb flmbgs CD 9.00 ---
PEAS GREEN: MARKET ABOUT STEADY 10 lb ctns GU Snow Peas Decalaxed 10.00-12.00 mostly 10.00 some 9.00 Sugar Snap Peas 8.00-10.00 mostly 8.00-9.00 ---
PEAS OTHER: OFFERINGS NONE ---
PEPPERS: MARKET LOWER 1 1/9 buctns/crts FL Bell Type Green jbo 9.00 exlge 7.50-9.00 mostly 8.00-9.00 few 7.00 fr cond 6.00 lge 7.00-8.00 mostly 7.00 fr qual 6.00 Mxd Red And Green lge 5.00-6.00 mostly 5.00 MX Bell Type Green exlge 7.00-8.00 lge 7.00-10.00 15 lb ctns MX Bell Type Red lge 9.00-10.00 25 lb ctns MX Bell Type Red med fr qual 9.50-10.00 fr cond 8.00 5 kg ctns IS Bell Type Orange 80-100mm 18.00 Red 80-100mm 16.00-18.00 Yellow

80-100mm 18.00-20.00 ---
PEPPERS OTHER: 1/2 buctns FL Jalapeno 6.00-8.00 1 1/9 buctns FL Long Hot 8.00-10.00 Cubanelles med-lge 8.00 med 5.00 ---
RADISHES: MARKET ABOUT STEADY ctns tpd 30 6-oz flmbgs FL Red 5.00 ctns tpd 14 1-lb flmbgs FL Red 5.00-5.50 ctns bchd MX Red 24s 6.50-7.00 mostly 7.00 ---
RHUBARB: OFFERINGS NONE ---
RUTABAGAS: OFFERINGS INSUFFICIENT TO QUOTE ---
SPINACH: MARKET ABOUT STEADY ctns bchd AZ Flat 24s 9.50-10.00 CA Flat 24s poor cond 2.00 MX Flat 24s 9.00 1 2/5 buctns bchd CA Flat 10.00-11.00 1 2/5 buctns TX Savoy 10.00 bubkts TX Savoy 9.00-10.00 ---
SQUASH: MARKET LOWER 1 1/9 buctns NJ Acom med 9.00-10.00 lugs MX Zucchini sml-med 10.00-12.00 mostly 10.00 med 7.00-9.00 some 6.00 Yellow Straightneck sml-med 18.00 fr cond 14.00 med 16.00 ---
SWEET POTATOES: MARKET ABOUT STEADY CURED 40 lb ctns NC U.S. One Jewels med 10.00-11.00 fr appearance 8.00 jbo fr appearance 6.50 ---
TOMATOES: MARKET LOWER, FL ABOUT STEADY. 25 lb ctns FL Vine Ripes light red-red 5x6s 6.00 80% U.S. One or Better Mature Greens light red-red 5x6s 7.00-8.00 6x6s 7.00-8.00 mostly 7.00 some 6.00 PR 80% U.S. One or Better Mature Greens red 5x6s 5.00-6.00 mostly 5.00 Local Repack 85% U.S. One or Better Mature Greens pink-light red 5x6s 11.00 6x6s 11.00 6x7s 11.00 ctns 2 lyr MX Vine Ripes light red-red 4x4s 6.50-7.00 fr appearance 6.00 4x5s 6.50-7.00 5x5s 6.50-7.00 ctns 3 lyr MX Vine Ripes light red-red 5x5s fr cond 5.00 5 kg ctns SP Vine Ripes red med 16.00 (Clusters) ---
TOMATOES, CHERRY: MARKET STEADY flts 12 1-pt bkts FL light red-red 8.00-9.00 ---
TOMATOES, PLUM TYPE: MARKET ABOUT STEADY 25 lb ctns MX light

red-red 6.50-7.00 mostly 7.00 fr cond 5.00-6.00 ---
TURNIPS: 25 lb flmbgs NC Purple Top med 6.00

Phila. Herb

PHILADELPHIA Terminal
Prices as of 11-FEB-99

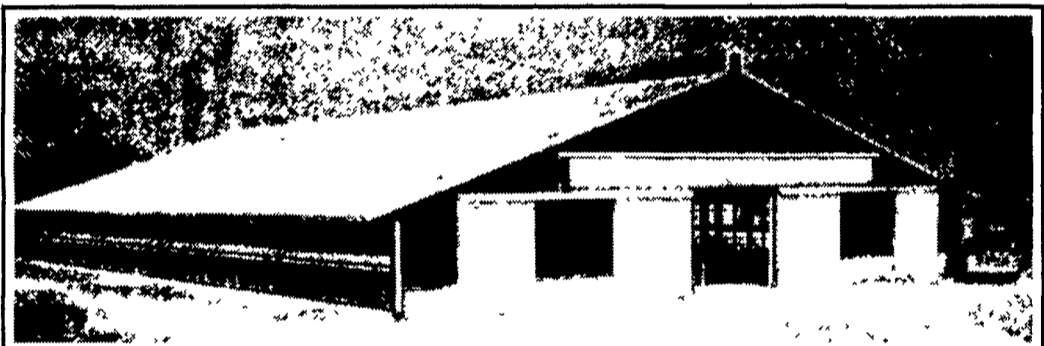
Provided by: Fruit and Vegetable Market News, Federal-State Market News Service, USDA.

Phone: (215) 597-4536 Fax: (215) 336-0355

Clear 33-53 NA—FV055
MISC HERBS ---
ANISE: 2/3 ctns CA 18s 12.00 24s 12.00 ---
ARRUGULA: 4/5 buctns bchd FL 24s 10.00 ---
BASIL: 1 kg ctns IS 12s 13.00 crts bchd FL 15s 10.00 ---
CELERIC (CELERY ROOT): OFFERINGS INSUFFICIENT TO QUOTE ---
CHIVES: 1 kg ctns bchd IS 18.00 flmbgs bchd NJ 12s 7.50 ---
CILANTRO: 4/5 buctns bchd FL 30s 8.00-10.00 ctns bchd TX 30s 10.00 ---
DILL: ctns bchd TX 24s 10.00 crts bchd FL 8.00-10.00 ---
DRY ESCHALLOT: OFFERINGS INSUFFICIENT TO QUOTE ---
HORSERADISH: OFFERINGS INSUFFICIENT TO QUOTE ---
MARJORAM: 1 kg ctns bchd IS 12s 13.00 ---
MINT: 1 kg ctns bchd IS 12s 10.00 ---
OREGANO: 1 kg ctns bchd IS 12s 13.00 ---
TARRAGON: 1 kg ctns bchd IS 12s 17.00 ---
THYME: 1 kg ctns bchd IS 12s 13.00

KEYSTONE CONCRETE PRODUCTS INC. 477 East Farmersville Rd. New Holland, PA 17557 (717) 355-2861

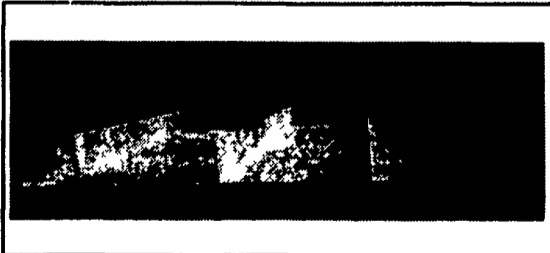
"WAFFLE SLAT" Stry-Con Corporation



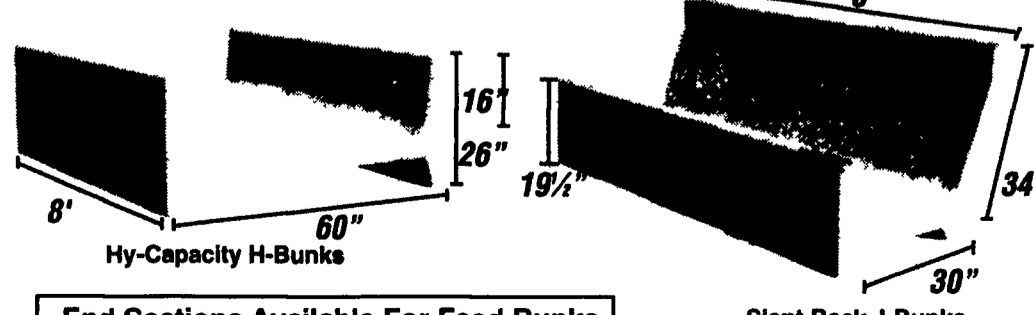
Concrete Slatted Free Stall Barn



Long Core Cattle Waffle Slats



Precast Concrete Bunker Silos or commodity buildings built to suit your needs. Bunkers available in 8 Ft. or 12 Ft. High



End Sections Available For Feed Bunks

Slant Back J-Bunks

Give us a call for more information on hog, beef, dairy and heifer barns.

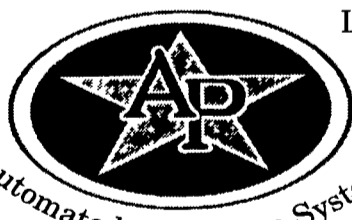
SCHICK ENTERPRISES

Quality Turn Key Hog Buildings

NEEDED THIS YEAR
(30) 2000 head Finishing Buildings

Variety of excellent Contracts available

Financial Consulting Available



Loan Guarantees on some Contracts

Insist on our new "POWER FLOW" Ventilation Systems
"Power Flow" could boost your income up to an additional \$4000 per year

CALL US TODAY
BRING PROFIT BACK TO YOUR FARM

Phone: 610-285-6985 or 1-800-527-7675
Kutztown, PA
Visit our Booth at Keystone Pork Expo