

**Greencastle Livestock**

Greencastle, Pa.  
Report Supplied by PDA  
JAN. 25, 1998

CATTLE: 470; SUPPLY INCLUDED  
103 SLAUGHTER STEERS & HEIFERS,  
241 SL. COWS, 34 BULLS & 88 FEEDER  
CATTLE.

SLAUGHTER STEERS: HIGH  
CHOICE & PRIME 2-4 1200-1400 LBS.  
63.00-64.75, CHOICE 2-3 1200-1400  
LBS. 58.00-63.25, SELECT 1-3  
56.00-59.75, STANDARD 1-2  
46.75-52.00.

HEIFERS: HIGH CHOICE & PRIME  
2-4 1100-1400 LBS. 61.50-63.00,  
CHOICE 2-4 1000-1300 LBS.  
58.00-62.00, SELECT 1-3 55.00-59.00,  
STANDARD 1-2 42.50-52.00.

SLAUGHTER COWS: BREAKERS  
75-80% LEAN 35.00-42.50, BONERS  
80-85% LEAN 33.50-39.50, 85-90%  
LEAN 85-90% LEAN 27.00-36.00.  
SHELLS DOWN TO 18.00.

BULLS: YIELD GRADE 1 1200-2000  
LBS 45.50-49.75, YIELD GRADE 2  
1000-2000 LBS. 38.00-45.00.

FEEDER CATTLE: STEERS: MED. &  
LRG. 1 500-635 LBS. 65.00-75.00,  
645-880 LBS. 55.50-63.00, LARGE 2  
770-1350 HOLSTEINS 41.00-46.00  
HEIFERS: MED. & LRG. 1 300-490 LBS.  
63.00-77.00, 500-635 LBS. 62.50-72.00.  
MED. 2 500-720 LBS. 39.00-54.00, LRG.  
2385-410 LBS. HOLSTEINS 74.00-78.00,  
650-960 LBS. 41.00-64.00;

BULLS: MED. & LARGE 1 300-400  
LBS. 80.00-86.00, 565-685 LBS.  
57.00-68.50, 765-960 LBS. 49.00-55.00,  
MED. 2 440-750 LBS. 32.00-49.00, LRG.  
2 260-460 LBS. 57.00-66.00.

CALVES: 457. VEALERS: STAN-  
DARD & GOOD 75-120 LBS.  
20.00-29.00, UTILITY 60-70 LBS.  
8.00-17.00.

FARM CALVES: NO. 1 HOLSTEIN  
BULLS 90-125 LBS. 70.00-108.00,  
MOSTLY 80.00-100.00, 80-90 LBS.  
57.50-77.50, NO. 2 80-120 LBS.  
30.00-70.00; NO. 1 HOLSTEIN HEIFERS  
80-105 LBS. 130.00-240.00, NO. 2 75-95  
LBS. 55.00-125.00. BEEF TYPE BULLS  
& HEIFERS 85-105 LBS. 72.50-102.50.

HOGS: 37. BARROW & GILTS:  
45-50% LEAN 220-270 LBS. 27.00-30.00;  
40-45% LEAN 275-300 LBS. 27.00-29.50.

SOWS: US 1-3 310-495 LBS.  
22.00-28.00, 500-630 LBS. 16.00-23.50.

BOARS: COUPLE 480 and 620 LBS.  
5.00 and 5.50.  
FEEDER PIGS: 20. UTILITY 60-160  
LBS. (SLAUGHTER) 5.00-16.00 PER  
CWT.  
SHEEP: 26. SLAUGHTER LAMBS:  
CHOICE 50-60 LBS. 97.50-105.00,  
75-115 LBS. 75.00-84.00.  
SLAUGHTER SHEEP: 37.00-46.00  
WITH A FEW DOWN TO 26.00.  
GOATS: 608. (ALL SOLD BY THE  
HEAD). LARGE BILLIES 80.00-120.00,  
MEDIUM 50.00-67.50, LARGE NAN-  
NIES 55.00-85.00, MEDIUM 45.00-60.00,  
LARGE KIDS: 25.00-37.00, SMALL  
3.00-5.00 PER HEAD.

**Oklahoma City Feeder Cattle**

Oklahoma City, OK  
Wed Jan 27, 1999  
USDA-OK Dept Ag Market News  
Oklahoma National Stockyards -  
Cattle Summary

Compared to last week: Feeder cattle  
and calves fully steady, with exception of  
steers over 850 lbs 1.00 higher. Demand  
very good for all classes. Demand especial-  
ly good for heavy weight cattle following  
last Friday's COF report. Number break  
down shows less heavy cattle being placed  
in the feedlot. Quality average to attractive  
with gaunt to average weigh-ups and this  
comparable to last week. Slaughter cows  
2.00 higher, few breakers steady. Slaughter  
bulls 4.00 higher. Packer demand good  
with most action from southern buyers.  
Total of 400 cows and bulls sold with 60  
percent going to packers. Receipts this  
week 9,850; last week 14,329; last year  
14,171. Supply consisted of 57 percent  
yearlings over 600 lbs; 39 percent calves  
under 600 lbs; 4 percent cows and bulls.  
Prices follow with weighted average  
weight and price in parenthesis.

Feeder Steers: Medium and Large 1  
300-400 lbs (350 lb) 100.00-109.00  
(106.37); 400-500 lbs (450 lbs)  
86.00-95.00 (93.69); 500-550 lbs (522 lbs)  
84.00-90.00 (86.28); 550-600 lbs (569 lbs)  
77.00-84.50 (81.62); 600-650 lbs (624 lbs)  
74.00-78.25 (76.24); 650-700 lbs (677 lbs)  
71.75-78.00 (74.73); 700-800 lbs (750 lbs)  
70.50-75.25 (73.24); 800-850 lbs (824 lbs)  
68.75-73.75 (71.37); 850-900 lbs (867 lb)  
67.00-71.75 (69.48); 900-950 lbs (918 lbs)  
69.00-70.75 (70.57); 950-1000 lbs (963  
lbs) 65.50-70.25 (68.18). Holsteins: Large  
2 500-600 lbs 57.50-58.50; 800-850 lbs

55.25-55.50.  
Feeder Heifers: Medium and Large 1  
350-400 lbs (390 lbs) 79.00-83.50 (79.82);  
400-450 lbs (425 lbs) 76.50-83.00 (79.05);  
450-500 lbs (471 lb) 74.00-80.25 (77.11);  
500-600 (550 lbs) 71.00-76.00 (73.65);  
600-700 lbs (620 lbs) 68.00-74.50 (71.23);  
700-750 lbs (723 lbs) 68.75-71.00 (69.77);  
750-800 lbs (768 lbs) 66.50-70.75 (68.28);  
800-850 lbs (820 lb) 64.25-68.50 (66.47).  
Slaughter Cows: Head %Lean Weight  
Average Dress High Dress Low Dress  
\*Brk 18 75-80% 1050-1675 32.00-34.00  
34.00-37.50 \*Bnr 42 80-85% 950-1600  
33.00-36.50 37.00-40.00 30.00-34.00 Lean  
82 85-90% 825-1450 32.25-36.50  
36.00-41.50 28.00-32.50

\*Brk=Breakers (fat cows),  
\*Bnr=Boners (smooth cows)  
Slaughter Bulls: Head Weight Average  
Dress High Dress Low Dress Y.G. 1-2 37  
1300-2200 47.00-51.50 51.00-54.00  
42.50-46.50

Estimated dressed cost at Oklahoma  
National Stockyards: Lean 72.15; Boners  
70.10; Breakers 63.60. Bulls 88.70.

Replacement Cows: Pretested for bangs,  
pregnancy, and age Medium and Large 1  
Age Weight Months Bred Quality Price  
4-5 yrs old 1050-1200 6-8 months Hi quality  
620.00-640.00 7-9 yrs old 1200-1300  
7-8 months Hi quality 515.00-545.00 5-8  
yrs old 875-1175 7-8 months Avg quality  
425.00-500.00 5-6 yrs old 850-1200 2-4  
months Avg quality 400.00-475.00 9-10  
yrs old 875-1200 5-8 months Avg quality  
370.00-420.00

Pairs: Medium and Large 1 Age Cow  
Weight Calf Wt Quality Price 5 yrs old  
1000 250 Hi quality, Limos 695.00 6-7 yrs  
old 1050-1200 150-200 Avg quality  
570.00-650.00

**Westminster Livestock Auction**

Hagerstown, Md.  
January 26, 1999

Report supplied by auction  
SLAUGHTER COWS: 114 HEAD,  
STEADY 1.00 LOWER. UTILITY  
33.00-36.00; HIGH DRESSING TO 37.00;  
CANNERS 29.00-33.00; SHELLY 29.00  
DOWN.

BULLS: 7 HEAD; YG#1 1300-1750  
LBS. 43.50-44.75; YG#2 37.00-41.75.  
FED STEERS: 30 HEAD. 2.00 LOW-  
ER. HIGH CHOICE PRIME 1100-1450  
LBS. 63.00-64.75; CHOICE #2&3  
60.00-63.00; LOW CHOICE 57.00-60.00;  
HIGH CHOICE PRIME HOL.  
54.00-60.00.

FED HEIFERS: 25 HEAD. HIGH  
CHOICE PRIME 1100-1400 LBS.  
62.00-65.00; CHOICE #2&3 900-1100  
LBS. 58.00-61.00.

VEAL CALVES: 125 HEAD. CULLS  
85-110 LBS. 22.00-29.00, 60-85 LBS.  
16.00-24.00.

FARM CALVES: HOLSTEIN BULLS  
20.00 LOWER. #1 95-120 LBS.  
75.00-92.00; 88-94 LBS. 40.00-65.00;  
HOLSTEIN HEIFERS #1 95-120 LBS. TO  
200.00; #2 80-100 LBS. 80.00-147.00;  
BEEF X BULLS 50.00-72.00, 1 AT  
105.00.

BUTCHER HOGS: 32 HEAD. 2.00  
LOWER. #1&2 225-265 LBS.  
30.00-32.50; 270-290 LBS. 28.00-33.50;  
#1&3 300-375 LBS. 30.00-31.00.

BOARS: 5 HEAD. 400-600 LBS.  
4.00-6.00; 1 AT 7.75.

STOCK CATTLE: 120 HEAD.  
3.00-8.00 HIGHER. STEERS MED &  
LRG FRAME 200-400 LBS. 67.00-80.00,  
400-600 LBS. 75.00-86.00; 600-800 LBS.  
FEW OFFERED, HOLSTEIN 200-450  
LBS. 53.00-65.00.

HEIFERS: MED & LRG FRAME  
300-500 LBS. 62.00-74.00, FEW  
75.00-82.00; 500-700 LBS. 59.00-68.00;  
700-900 LBS. 45.00-54.00.

BULLS: MED & LRG FRAME.  
200-400 LBS. 67.00-82.00; 400-600 LBS.  
64.00-75.00; 600-800 LBS. 52.00-61.00, 1  
ANGUS 900 LBS. AT 57.00.

SHEEP: 7 HEAD 38.00-47.00, FEW  
50.00-54.00.

LAMBS: 118 HEAD GOOD  
DEMAND. HIGH CHOICE PRIME

1150-1350 LBS. 60.00-62.75; CHOICE  
1000-1150 LBS. 59.00-60.50.

VEAL CALVES: 169 HEAD. CULLS  
85-110 LBS. 24.00-30.00, 60-85 LBS.  
17.00-26.00.

FARM CALVES: HOLSTEIN BULLS  
20.00-25.00 LOWER 1 95-120 LBS.  
78.50-90.00, 88-94 LBS. 40.00-67.00; #2  
30.00-40.00; HOLSTEIN HEIFERS #1  
90-120 LBS. 150.00-170.00; 75-90 LBS.  
63.00-145.00; BEEF X BULLS  
50.00-85.00; HEIFERS 50.00-72.00.

BUTCHER HOGS: 42 HEAD.  
1.00-2.00 HIGHER. #1&2 230-285 LBS.  
29.00-32.00; #1&3 200-270 LBS.  
27.00-28.50; 2&3 25.00-27.00.

SOWS: 13 HEAD. 300-500 LBS.  
19.00-26.00; 500-650 LBS. 19.00-24.00,  
THIN 15.00-19.00.

STOCK CATTLE: 86 HEAD, STEERS  
M&L FRAME 300-400 LBS. 80.00-89.00;  
500-700 LBS. 66.00-76.00; 700-800 LBS.  
63.00-65.00.

HEIFERS: M&L FRAME 300-500 LBS.  
61.00-73.00; 500-700 LBS. 58.00-66.00;  
700-900 LBS. FEW TO 56.00.

BULLS: M&L FRAME 400-500 LBS.  
70.00-81.00; 500-600 LBS. 59.00-72.00;  
600-800 LBS. 55.00-60.00.

DAIRY REPLACEMENTS: NO GOOD  
SPRINGERS OR FRESH. 1 SHORT  
BRED AT 725.00; 1 JERSEY AT 350.00;  
REG. HOL. BULLS 800.00; MED-LG  
OPEN HEIFERS 300.00-425.00; SMALL  
200.00-300.00.

GOATS: 15 HEAD. MED. 50.00-54.00;  
SMALL KIDS TO 15.00.

PIGS AND SHOATS: 107 HEAD. BY  
THE HEAD, 20-35 LBS. 8.00-11.00;  
40-50 LBS. 14.00-15.00; 1 LOT 80 LBS.  
AT 23.00; BY THE LB. 100-120 LBS.  
25.00-29.00; 130-150 LBS. 20.00-27.00.

100-120 LBS. 70.00-79.00, 125-150 LBS.  
59.00-71.00, CHOICE 80-100 LBS.  
74.00-83.00; 50-75 LBS. 78.00-90.00.

GOATS: 49 HEAD. LARGE  
65.00-105.00; MED. 45.00-70.00; SMALL  
20.00-42.00.

PIGS AND SHOATS: 59 HEAD. BY  
THE HEAD, 20-30 LBS. 5.00-17.00;  
30-45 LBS. 8.00-17.00; 1 LOT 60 LBS. AT  
21.00; BY THE LB. 120-150 LBS.  
23.00-25.00; 160-900 LBS. 20.00-28.00.

SOWS: 8 HEAD. 400-500 LBS.  
15.00-19.00; THIN & ROUGH 9.00-13.00.

**Four States Livestock**

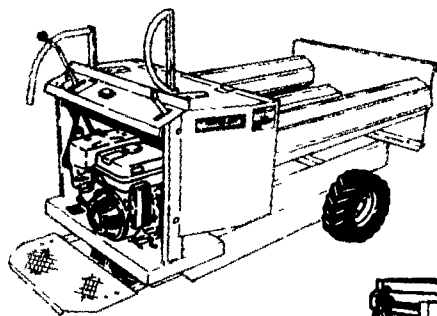
Hagerstown, Md.  
January 28, 1999

Report supplied by Auction  
SLAUGHTER COWS: 76 HEAD, 1.00  
LOWER. UTILITY 33.00-36.50; HIGH  
DRESSING 37.00-39.25, FEW TO 41.25;  
CANNERS 29.50-32.75; SHELLY 29.00  
DOWN.

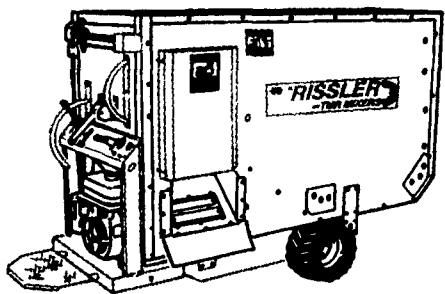
BULLS: 6 HEAD. YG#2 37.00-41.75.  
FED STEERS: 26 HEAD; 2.50 LOW-  
ER. HIGH CHOICE TO PRIME  
1200-1400 LBS. 61.75-72.75; 1450-1650  
LBS. 56.00-61.25; LOW CHOICE  
1200-1400 LBS. 56.00-60.00.

FED HEIFERS: 15 HEAD. 2.00-3.00  
LOWER. HIGH CHOICE TO PRIME

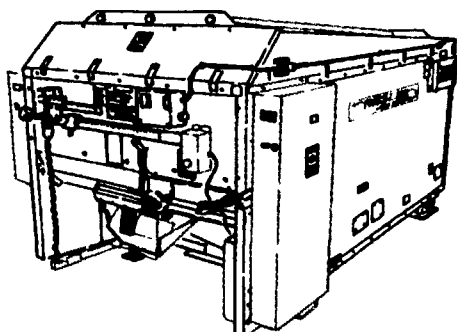
**I.H. RISSLER MIXERS & FEEDERS**



ROUND BALE FEEDERS



MIXING CARTS



STATIONARY MIXERS

**STANDARD ON ALL MIXERS**

- \* Poly-Clad Plywood Sides
- \* Heavy-Duty Mixing Chain
- \* Stainless Steel Floor & Trough
- \* Discharge Magnets
- \* Beam Scales

**PRACTICAL IN DESIGN  
DEPENDABLE IN ACTION**

**I.H. RISSLER MFG. COMPANY**

448 Orchard Road  
Mohnton, PA 19540 Phone: 717-484-0551

**Regional Dealers**

R.L. BAUGHMAN & SONS  
BARN EQUIPMENT  
TOWNVILLE, PA  
814-967-4115

BIG VALLEY REPAIR  
BELLEVILLE, PA  
717-935-5051

CEDAR CREST EQUIPMENT  
LEBANON, PA  
800-646-6601

COLUMBIA CROSSROADS  
EQUIPMENT  
COLUMBIA CROSSWOODS, PA  
717-297-2991

ART DETWEILER  
DANBORO, PA  
215-348-3117

FRANKLIN FARM SERVICE  
LACEYVILLE, PA  
717-869-2407

HESS EQUIPMENT  
SALES & SERVICE  
MIFFLINBURG, PA  
717-966-1998

LANCHESTER SERVICE  
NARVON, PA  
610-273-9060

ALPHA FARM SUPPLY  
SIGEL, PA  
814-849-2297

M&M BARN SALES  
WESTFIELD, PA  
814-334-5452

JOE MARKOVITCH  
MONTROSE, PA  
717-278-3637

McMILLEN BROS.  
LOYSVILLE, PA  
717-789-3961

DONALD NISSLEY  
WILLOW STREET, PA  
717-786-7654

ED RISSLER MFG.  
NEW ENTERPRISE, PA  
814-766-2246

GLENN ZIMMERMAN  
KUTZTOWN, PA  
610-682-2692

SOMERSET BARN EQUIPMENT  
SOMERSET, PA  
814-445-5555

HARRY TROOP  
COCHRANVILLE, PA  
610-593-6731

THOMAS L. ZARTMAN  
EPHRATA, PA  
717-733-1050

POTOMAC VALLEY SUPPLY  
HAGERSTOWN, MD  
301-223-6877

ROVENDALE AG & BARN EQUIP.  
WATSONTOWN, PA  
717-538-9564

STAR SILO  
MYERSTOWN, PA  
717-866-5708

VIRGINIA HARVESTORE  
TROY, VA  
800-891-8786

DAIRYMEN SPECIALTY CO.  
HARRISONBURG, VA  
540-433-9117