

WEEKLY LIVESTOCK SUMMARY

JANUARY 8, 1999
14 LIVESTOCK AUCTIONS
CATTLE 4526 Compared with 2851 head last week and 6138 head a year ago. Compared with last Friday's summary slaughter steers steady to 50 higher, spots 125 higher in Prime cattle, sl heifers steady to firm, sl cows 50 to 100 higher up to 300 higher in lean cows, bulls steady to 150 higher. **SLAUGHTER STEERS** High Choice & Prime 2-4 62 00-66 25, Choice 1-3 57 75-63 00, Select and Low Choice 2-3 56 50-60 25, Select 1-3 54 00-58 50, Standard 1-2 46 00-54 00
HOLSTEINS High Choice and Prime 2-3 54 25-57 50, Choice 2-3 51 00-54 75, Select 1-2 44 50-50 25, Standard 40 00-44 50
HEIFERS Choice 2-4 56 75-62 00, Select 1-3 52 50-56 75, Standard 1-2 42 25-49 25 **COWS** Breakers 75-80% lean 35 00-41 00, Boners 80-85% lean 33 25-38 00, Lean 85-90% lean 29 00-37 50 Shells down to 21 00
BULLOCKS Choice 2-3 50 00-55 00, Select 1-3 48 00-50 25 **BULLS** Yield Grade 1 1000-2500 lbs 42 00-51 00, Yield Grade 2 900-2100 lbs 37 75-44 00
FEEDER CATTLE STEERS Medium and Large 1 300-600 lbs 54 00-69 00, Medium and Large 2 400-700 lbs 42 00-49 50, **HEIFERS** Medium and Large 1 300-700 lbs 52 00-66 00, Medium and Large 2 350-600 lbs 42 00-49 00, **BULLS** Medium 1-2 400-800 lbs 40 00-58 00
CALVES 3356 Compared with 2692 head last week and 3958 head a year ago
VEALERS limited supply 100 to 300 lower Choice 150-350 lbs 72 00-79 00, Good 125-275 lbs 50 00-65 00, Standard and Good 75-120 lbs 18 00-27 00,
 Utility 55-110 lbs 10 00-21 00
FARM CALVES Holstein bull calves firm, Holstein heifers steady to 150 higher No 1 Holstein bulls 90-125 lbs 70 00-107 00, No 2 80-125 lbs 32 00-72 50, No 1 Holstein heifers 80-125 lbs 165 00-225 00 No 2 80-125 lbs 100 00-160 00
 Beef type bulls and heifers 75-150 lbs 40 00-85 00
HOGS 1554 Compared with 1454 head last week and 2151 head a year ago. Barrows and gilts active mostly 2 00 higher, sows steady to 2 00 higher. **BARROWS AND GILTS** 49-54% lean 220-260 lbs 19 75-25 50, 45-50% lean 225-280 lbs 17 00-21 75 40 45% lean 250 310 lbs 16 00 19 50 **COWS** US 1 3 300 500 lbs 7 00 15 00 500 700 lbs 12 00 18 50 **BOARS** 4 00 6 00
FEEDER PIGS 287 Compared with 348 head last week and 350 head a year ago

Feeder pigs US 1-3 20-35 lbs 6 00-12 00, 40-60 lbs 10 00-23 00 --- per head
SHEEP 2183 Compared with 2163 head last week and 2117 head a year ago. Slaughter lambs steady to 5 00 higher, New Crop lambs 5 00-25 00 lower. **SLAUGHTER LAMBS** Choice 60-80 lbs 85 00-105 00, 80-100 lbs 75 00-92 00, few to 60 00, 100-130 lbs 65 00-75 00 **NEW CROP LAMBS** Choice 40-60 lbs 125 00-150 00, 60-80 lbs 100 00-120 00
SLAUGHTER SHEEP 33 00-60 00
ONE GRADED FEEDER PIG SALE 386 Compared with 485 last week and 582 head a year ago. Feeder pigs mostly steady US 1-2 20-45 lbs 38 00-40 00, one lot 65 lbs 34 00, US 2 25-45 lbs 20 00-30 00, Slaughter 1-2 20-40 lbs 40 00-85 00, 40-65 lbs 28 00-58 00 --- per hundred weight

LEESPORT LIVESTOCK AUCTION

LEESPORT, PA
JANUARY 13, 1999
CATTLE 272 [PDA] [Supply included 132 slaughter steers and heifers, 115 slaughter cows, 13 bulls, and 12 feeder cattle] Compared with last week's sale slaughter steers steady to 1 00 higher, sl cows 2 00 higher, bulls steady to 1,50 lower
SLAUGHTER STEERS High Choice and Prime 2-4 1280-1445 lbs 63 00-64 50 Choice 2-3 1200-1475 lbs 60 00-61 75, Yield Grade 4 1550-1580 lbs 55 50-56 25, Select 1-3 54 00-56 00, few Standard 1-2 50 00-52 75
HOLSTEIN STEERS High Choice & Prime 2-3 1275-1495 lbs 54 50-57 00, couple @ 58 00, Choice 2-3 1280-1550 lbs 50 25-54 75, Select 1-2 45 25-51 75, Standard 1-2 39 50-44 50
HEIFERS Choice 2-4 1070-1275 lbs 58 75-61 25, Select 1-3 54 00-57 00, Standard 1-2 42 50-51 75
COWS Breakers 75-80% lean 38 00-43 00, low dressing 36 00-37 75, Boners 80-85% lean 35 75-40 00, low dressing 33 00-35 00, Lean 85-90% lean 30 00-37 75, Shells down to 22 00
BULLOCKS few Select 1-3 46 50-50 50
BULLS Yield Grade 1 1185-2145 lbs 43 00-47 00, Yield Grade 2 1040-1550 lbs 39 00-42 00
FEEDER CATTLE STEERS few Large 2 holsteins 345-445 lbs 52 00-55 00, **HEIFERS** one Large 2 360 lbs 56 00, **BULLS** few Large 2 215-320 lbs 42 00-51 00, one 725 lbs @ 433 50
CALVES 156 **VEALERS** Good 135-140 lbs 60 00-70 00, Standard and Good 80 110 lbs 20 00-25 00, Utility 55 80 lbs 5 00-18 00, few to 20 00
FARM CALVES Holstein bulls steady to spots 7 00 higher No 1 Hol-

stein bulls 90-125 lbs 72 50-107 50, bulk of sales 80 00-102 50, No 2 85-125 lbs 40 00-70 00, with a few down to 30 00, No 1 Holstein heifers 95-110 lbs 150 00-200 00, No 2 85-140 lbs 65 00-140 00
 Beef type bulls and heifers 85-120 lbs 52 50-95 00
HOGS 56 Barrows and gilts mostly 5 00 higher
BARROWS AND GILTS 49-54% lean 235-275 lbs 33 00-36 00, one lot 38 00, 45-50% lean 230-260 lbs 25 50-28 50
SOWS couple US 1-3 410-555 lbs 11 00+19 00
BOARS couple 520 & 575 lbs 3 50
FEEDER PIGS 64 US 1-3 25-50 lbs 17 00-35 00 --- per cwt
SHEEP 5 **SLAUGHTER LAMBS** couple Choice 135-255 lbs 57 00-60 00
SLAUGHTER SHEEP couple 30 00-33 00, one yearling 55 00
GOATS 0 No Market Test

BELLEVILLE LIVESTOCK AUCTION

BELLEVILLE, PA
JANUARY 13, 1999
CATTLE 220 [PDA] slaughter cows 3 00 to 4 00 higher, supply included 168 head in the dairy sale
STEERS One Choice 3 @ 59 75, One Select 3 @ 58 25

HOLSTEIN STEERS One Select 2 @ 47 25, One Standard 2 @ 45 00
HEIFERS One Standard @ 42 75
SLAUGHTER COWS Breakers 75-80% lean 36 00-40 25, Boners 80-85% lean 34 00-38 25, Lean 85-90% 30 25-33 50 Shells down to 26 00
BULLS few Yield Grade 1 1205-1915 lbs 45 25-47 00, one Yield Grade 2 1345 lbs 42 75
CALVES 54 **VEALERS** Standard and Good 90-100 lbs @ 24 00, Utility 60-80 lbs 10 00-20 00
HOLSTEIN BULLS Steady to 10 00 lower
FARM CALVES No 1 Holstein bulls 85-120 lbs 75 00-90 00, few to 94 00, No 2 85-110 lbs 50 00-70 00, few to 35 00 Few No 2 Holstein heifers 75-85 lbs 50 00-75 00
HOGS 16 **BARROWS AND GILTS** 49-54% lean 235-265 lbs 38 00-41 00, 45-50% lean 215-275 lbs 33 00-38 00
SOWS US 1-3 one 400 lbs 33 00
FEEDER PIGS 70 US 1-3 30/60 lbs 8 00-15 00, few to 19 00 --- per head.
SHEEP 1 one Choice lamb 90 lbs @ 74 00
GOATS 9. one Medium Billies 55 00, Few Large Nannies 65 00-68 88, one Medium Nannie 55 00, few Small Kids 22 00 --- per head

Valley Stockyards

Athens, Pa.
 January 11, 1999
 Report Supplied By Auction
HOLSTEIN HEIFER CALVES 130.00-247.50.
BACK TO FARM CALVES 95-120 LBS. 70.00-110.00, 70-95 LBS. 45.00-80.00.
SLAUGHTER CALVES 15.00-24.00.
GRASSERS AND STARTED CALVES 36.00-55.00.
FEEDERS 35.00-66.00.
LAMBS, NONE.
SHEEP 20.00-41.00.
HOGS, 200-250 LBS., 30.00-39.00.
SOWS 5.00-23.00.
BOARS, NONE.
PIGS, EACH, 12.50-28.00.
HEIFERS 33.00-41.75.
STEERS 41.50-54.00.
BULLS 39.75-44.25.
COWS GOOD 35.50-42.00.
COWS MEDIUM 30.00-36.00.
COWS POOR OR SMALL 20.00-31.50.
CATTLE MARKET STRONGER.
CALF MARKET MUCH HIGHER.
HORSES & PONIES, NONE.
GOATS: 30.00-52.50.
GOOD HEIFER CALVES ARE IN REAL GOOD DEMAND.

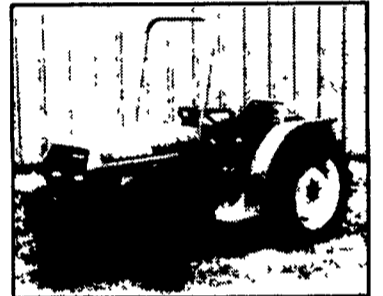
PANORAMA

Flex Tine Harrows



The original flex tine harrow that will do the job right.

Goldoni Tractors



Europe's Premier Tractor
 Horsepower Range 26 - 70, 4WD
 Standard Quality you can see at a glance.

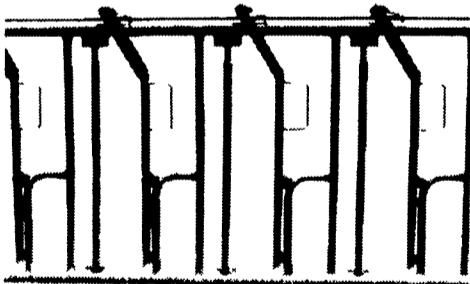
RYDER SUPPLY CO.

529 Falling Spring Road
 P.O. Box 219
 Chambersburg, PA 17201-0219
 Phone 717-263-9111

Paul B. Zimmerman INC.

Heavy Duty Headlocks

Finished with TGIC Polyester Powder Coating...Superior to Epoxy!



3 Sizes Available To Meet Your Cattle Handling Needs

- CA Series: 7 locks per 10'
- HE Series: 6 locks per 10'
- CO Series: 4 or 5 locks per 10'

- Extra Heavy Construction
- Yokes lock on individual catches
- Yoke stabilizer on large sizes
- Designed for easy entry & exit
- Removable neck bar



OPEN HOUSE DISCOUNTS Available NOW Through March 3, 4 & 5 On All Complete Equipment.

Call for details.

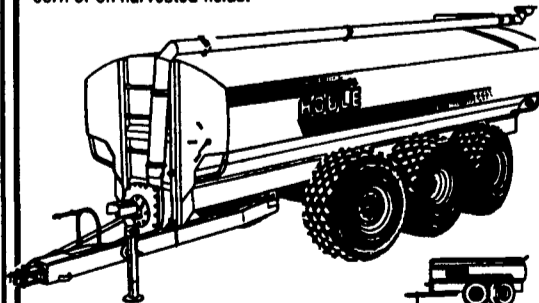


LAPP'S BARN EQUIPMENT
 5935 OLD PHILADELPHIA PIKE, GAP, PA 17527
 PHONE: 717-442-8134 • FAX 717-442-3112
 SALES & SERVICE
 Call or write for free catalog.

Talk To Us Now For Your Spring Needs

LIQUID MANURE SPREADER

WITH FLOTATION TIRES TO MINIMIZE SOIL COMPACTION
 Available with complete line of spreading tool bars and precise flow control to spread manure the ecological way eliminating spray drift and reducing odors. Our tool bars are designed to apply hog or dairy manure on growing fields, between rows of corn or on harvested fields.



- 4-6 OR 8 WHEEL SPREADERS WITH POWER STEERING - 3000 TO 9000 US GAL.
- SPREADERS WITH SINGLE AXLE OR TANDEMS - 2250 TO 6000 US GAL.
- V shape bottom for more complete clean out.
- Standard exterior finish: epoxy primer and urethane paint.
- Low profile tank for maximum visibility and stability.

NEW/USED/RENTAL LIQUID MANURE EQUIPMENT

Spreaders

- Calumet 1500 Gal. Vacuum Tank, 14Lx16.1 Tires.....Call
- Calumet 3250 Spread, 16.1 Tires, 1997 Model.....~~SOLD~~ \$7,500
- Houle 3600 Gal. Spreader 23.1x26 Tires, Brakes 1998 Rental.....\$12,600
- Houle 4300 Gal. Spreader 28Lx26 Tires, Brakes, Lights.....Call
- Houle 4800 Gal. Spreader, 28Lx26 Tires, Brakes.....\$15,900
- Houle 5350 Spreader 28Lx26, Brakes \$16,900
- Houle 6300 Gal. Spreader, (6) 28Lx26 Tires, Steering Axle, Brakes Call

Pumps

- Houle 42 ft. Lagoon Pump, '98 Rental..... Call
- Houle 32 ft. Lagoon Pump, '98 Rental..... Call
- Houle 32 Ft. Multi Purpose Lagoon Pump, RENTAL.....Call
- Houle 20" & 28" Maxi-Pump.....Call

—Financing Available—

Houle FARM EQUIPMENT MANUFACTURER
SPREADER TANKS and PUMPS AVAILABLE FOR SALE OR RENT

"We're Here To Serve You"
SNOOK'S EQUIPMENT
 RD 3, Box 130, Mifflinburg, PA 17844
 570-966-2736
 Ask For Ernest or Dean