

Greencastle Livestock

Greencastle, Pa.
December 21, 1998

CATTLE 385...PDA...SALE NOT REPORTED LAST WEEK...SUPPLY INCLUDED 66 SL. STEERS AND HEIFERS, 212 COWS, 23 BULLS AND 84 FEEDER CATTLE.

SLAUGHTER STEERS: CHOICE 2-3 1050-1475 LBS. 56.00-61.50, FEW YG#4 54.25-54.75, SELECT 1-3 52.75-56.00, STANDARD 1-2 44.50-51.75.

HOLSTEIN STEERS: ONE CHOICE 2-3 1535 LBS. 54.25, SELECT 1-2 44.50-50.00, STANDARD 1-2 35.00-42.00.

HEIFERS: ONE HIGH CHOICE AND PRIME 1210 LBS. 63.00, CHOICE 2-4 1000-1350 LBS. 57.25-61.00, FEW SELECT 1-2 53.50-56.00, FEW STANDARD 1-2 37.50-48.00.

SLAUGHTER COWS: EARLY SALES BREAKERS 75-80% LEAN 32.00-38.00, BONERS 80-85% LEAN 29.25-36.25, LEAN 85-90% 25.00-33.75. SHELLS DOWN TO 15.00.

BULLS: YG#1 1100-2190 LBS. 40.25-46.25, YG#2 950-1640 LBS. 36.50-41.00.

FEEDER CATTLE: STEERS MED. AND LARGE 1 300-490 LBS. 54.00-65.00, 500-610 LBS. 62.00-64.50, ONE LOT 6 HEAD 800-900 LBS. 54.50, FEW LARGE 2 640-700 LBS. 36.00-45.00; HEIFERS MED. AND LARGE 1 300-495 LBS. 51.00-64.00, 500-600 LBS. 49.00-59.00, 850-1050 LBS. 44.00-50.50, MED. AND LARGE 2 300-500 LBS. 41.00-50.00, 600-850 LBS. 34.00-44.00; BULLS MED. AND LARGE 1 350-475 LBS. 54.00-62.00, 500-650 LBS. 49.00-61.00, MED. AND LARGE 350-400 LBS. 40.00-49.00, 500-700 LBS. 37.00-53.50, 700-900 LBS. 33.00-41.00.

CALVES: 485...VEALERS STANDARD AND GOOD 75-105 LBS. 21.00-26.00, UTILITY 60-95 LBS. 10.00-21.00.

FARM CALVES: #1 HOLSTEIN BULLS 90-120 LBS. 67.50-87.50 WITH A FEW EARLY SALES UP TO 96.00, 80-90 LBS. 60.00-72.50, #2 95-125 LBS. 30.00-65.00 WITH A FEW DOWN TO

23.00; #1 HOLSTEIN HEIFERS 80-110 LBS. 140.00-237.50, #2 70-90 LBS. 55.00-135.00.

BEEF TYPE BULLS AND HEIFERS 85-125 LBS. 60.00-107.50.

HOGS: 64...BARROWS AND GILTS 45-50% 225-275 LBS. 17.00-21.00, 40-45% 275-295 LBS. 15.00-24.00.

SOWS: US#1-3 400-490 LBS. 8.00-15.00, 500-550 LBS. 11.50-14.00.

BOARS: 450-800 LBS. 1.50-2.50, ONE 375 LBS. AT 4.00.

FEEDER PIGS: 97...UTILITY 50-65 LBS. SLAUGHTER 9.00-19.00 PER CWT.

SHEEP: 68...SLAUGHTER LAMBS CHOICE 65-80 LBS. 70.00-82.50, ONE LOT AT 95.00, 85-125 LBS. 54.00-65.00.

SLAUGHTER SHEEP: 32.00-43.00, YEARLINGS 45.00-50.00.

GOATS: 117...BY THE HEAD, LARGE BILLIES 70.00-167.50, MED. 42.50-75.00, LARGE NANNIES 59.00-67.50, MED. 39.00-62.00, MED. AND LARGE WETHERS 65.00-82.50, LARGE KIDS 34.00-70.00, SMALL 25.00-35.00 PER HEAD.

Central Carlot Beef Report

Des Moines, IA
Tue Dec 22, 1998

USDA Market News
USDA NATIONAL CARLOT BEEF REPORT (includes major production areas in the Midwest and TX) as of 3:00 PM COW & BULL CARCASS FOB OMAHA 3.0 Loads Reported. Compared to Monday's 3:00 P.M. report: Utility carcasses generally steady; Cutters not established. Demand and offerings moderate. UT,brk 2-4 450#/up 1.0 51.00 51.00 UT,bng 1-3 400#/up 2.0 55.00 55.00 Cutter 1-2 350#/up 55.00 - 57.00 B Bulls YG 1 500#/up unq COW & BULL CARCASS CAF WEST COAST Loads Reported. Compared to last week:

Market for Week Ended: December 18, 1998 Lds Price Range UT,brk 2-4 450#/up UT,bng 1-3 400#/up 60.00 Cutter 1-2 350#/up 60.00 Bulls YG 1 500#/up BONELESS PROCESSING BEEF/ BEEF TRIMMINGS 90.0 Loads Reported. Lean boneless processing beef firm to 1.00 higher; 85% firm to 1.50 higher; 75%

steady. Beef trimmings generally steady on light to moderate demand and offerings. FOB OMAHA BASIS: Chm Ln Lds Price Range Wtavg 90% fr 10 84.5 - 89.0 87.30 90% fz unq 85% fr 10 78.5 - 82.5 81.50 85% fz unq 75% fr 6 61.0 - 62.0 61.50 75% fz unq 65% fr 6 47.5 - 48.0 47.67 65% fz unq 50% fr 53 33.00 - 35.00 33.47 50% fz unq 50% bx unq Bull 92-94 unq FOB EAST TEXAS AND OKLAHOMA: Chm Ln Lds Price Range Wtavg 90% fr 5 89.0 - 90.0 89.60 90% fz unq 85% fr unq 85% fz 75% fr 75% fz 65% fr 65% fz CAF NORTHEAST AREAS: Chm Ln Lds Price Range Wtavg 90% fr unq 90% fz unq 85% fr unq 85% fz 75% fr 75% fz 65% fr 65% fz CAF WEST COAST BASIS Market for Week Ended: 12/18/98 Chm Ln Lds Price Range Wtavg 90% fr 86.25 - 86.50 86.32 90% fz unq 85% fr 78.50 - 81.00 79.04 85% fz unq 75% fr unq 75% fz unq 65% fr 45.00 - 47.00 46.75 65% fz unq 50% fr 33.00 - 37.00 36.04 50% fz unq **ABCDE after quotes represents days since last actual market test. Quotes are dropped after 5 days of no test or before if they no longer reflect current market conditions.**

Forney Longenecker 717-295-8914
First Vice President 800-441-1997
Commodities Only

SALOMON SMITH BARNEY

A Member of TravelersGroup

150 N. Queen Street, Suite 100
Lancaster, PA 17603

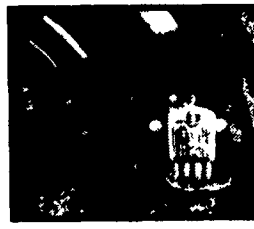
NEED YOUR FARM BUILDINGS PAINTED?

Let us give you a price!
Write:
Daniel's Painting
637-A Georgetown Rd.
Ronks, PA 17572
(or leave message)
(717) 687-8262
Spray on and Brush in Painting

GIANT FACTORY SALE HEAVY DUTY STEEL BUILDINGS



SAVE UP TO 50%



- Equipment storage
- Workshops
- Hay and animal shelter

Available models:
25 x 32 (2 left) 45 x 90 (1 left)
30 x 44 (3 left) 50 x 100 (2 left)
40 x 62 (4 left) 55 x 150 (2 left)



Factory Direct **800/825-5059**

WATERLESS TOILETS

"SUN-MAR" Composting Toilets



Several models available including non-electric.

- NO Septic System
- NO Chemicals

Save the Environment!
Recycle Back to Nature!

FREE:
12 Page Color Catalog

We Reclaim Failing Septic Systems
Guaranteed Results!

ECO-TECH Call Today 1-800-879-0973

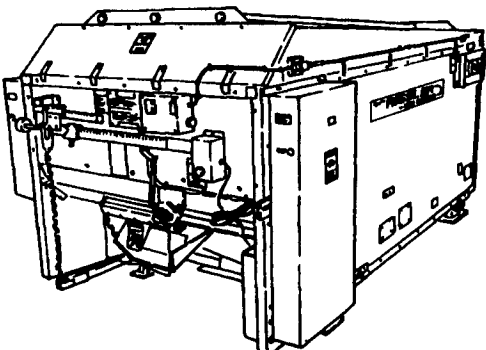
10 REASONS WHY YOU NEED A RISSLER TMR MIXER

1. Who Else Uses 3/16 And 1/4 Stainless Steel On Auger Troughs?
2. Who Else Uses Stainless Steel For The Floors As Standard?
3. Who Else Uses 1/10" Inside and .065 Outside High Density Poly Coated 1" Plywood For Their Mixing Box?
4. Who Else Uses 1/2" and 5/8" Stainless Steel Pins With Large Heads On Their Mixing Chains?
5. Who Else Uses Welded Steel Chains With 5/16" And 3/8" Side Bars?
6. Who Else Uses 3/8" and 1/2" Flighting On All of Their Augers?
7. Who Else Has A 10 YEAR Limited Warranty On Their Mixing Box?
8. Who Else Has Any Machines In Service For 15 Years With Very Little Repair And Maintenance Costs?
9. Who Else Builds A Mixer That Still Gives A Near Perfect Mix, Even With Worn Parts?
10. Who Else Builds A Mixer Complete With Safety Shut Off Cables And Contactor Prewired For Service?

Get the Picture?

R.I.S.S.L.E.R. TMR MIXERS

- ★ Proven Rugged
- ★ Proven Efficient
- ★ Proven Economical



R.I.S.S.L.E.R. MANUFACTURING

448 Orchard Road
Mohnton, PA 19540
717-484-0551



MOUNT JOY FARMERS CO-OP
Quality Milk Producer
1-800-860-6569 • 717-653-5431

Is Your Milk Co-Op Local?
Someone You Can Pick-Up The Phone and Call In Your Neighborhood?

- 74 Farms Did Just That In 1998
 - 51 From Lancaster Co.
 - 14 Chester Co.
 - 5 Lebanon Co.
 - 2 Cumberland Co.
 - 1 Berks Co.
 - 1 Dauphin Co.

At this time of year, we want to thank all of the farms who have joined Mount Joy Farms Co-Op 1998

If You Are Not Part Of the Mount Joy Family, Give Us A Call @ 1 (800) 860-6569

Thank You To All Our Members For Making 1998 A Success.

Merry Christmas To All And A Happy New Year

