



DECEMBER 21-27, 1998

BOXING DAY, DEC. 26.

WINTER SOLSTICE

December 21 is the shortest day of the year, a mere nine hours and five minutes long. The afternoon daylight is already lengthening, however, and by the second week in January, the morning sunrises will begin coming earlier, too. St. Thomas, patron saint of masons and architects, has his feast day on the 21st. In some rural areas, employers are expected to give small monetary gifts or a celebratory drink to their laborers on this day. St. Thomas received money to build a great palace. Instead, he spent the money on the poor, "thus erecting a superb palace in heaven."



Everywhere, everywhere, Christmas tonight.

- Philippe Brooks

TIP OF THE WEEK

What do children want for Christmas? Time and tradition.

REAL EGGNOG

- 12 egg yolks
- 1 cup superfine sugar
- 1 quart milk
- 1 teaspoon cinnamon
- 1 teaspoon ground cloves
- 1 quart half-and-half
- 1 to 2 cups rum (optional)
- freshly grated nutmeg

Return mixture to pan and cook over low heat, stirring frequently with a wooden spoon, until mixture coats the back of the spoon (about 12 minutes; do not let mixture boil). When thick, pour into a large bowl and let cool. Stir in the half-and-half and rum, if using. Chill for 3 hours or overnight. Sprinkle each serving with grated nutmeg.



Makes 10 to 12 servings.

www.almanac.com

United Feature Syndicate

(Printed in the U.S.A.)

200 Madison Ave.
N.Y., NY 10016
(212-293-8500)

The OLD FARMER'S WEATHER PROVERBS



Frost on the shortest day (Dec. 21) is said to indicate a severe winter.

If the Sun shines though the apple tree on Christmas Day, there will be an abundant crop in the following year.

Special Offer. Handy chart full of interesting weather proverbs. Send \$3 to Weather Chart, Dept. UF, The Old Farmer's Almanac, P.O. Box 520, Dublin, NH 03444

Four States Livestock

Hagerstown, Md
December 16, 1998

Report supplied by Auction

SLAUGHTER COWS: 128 HEAD, 1.00 HIGHER. UTILITY 34.00-37.50; HIGH DRESSING 38.00-40.50; CANNERS 30.00-34.00; SHELLY 29.00 DOWN.

BULLS: 10 HEAD. YG#1 43.00-45.25; YG#2 37.00-40.75.
FED STEERS: 25 HEAD, STEADY TO 1.00 LOWER. HIGH CHOICE 1200-1400 LBS. 61.00-62.25; CHOICE 58.00-60.00; LOW CHOICE 55.00-58.00; SELECT 50.00-55.00.

FED HEIFERS: 7 HEAD. HIGH CHOICE TO PRIME 61.00-62.00, 1 AT 64.00; CHOICE 56.00-60.00.

VEAL CALVES: 140 HEAD. LOW CHOICE 200-300 LBS. TO 63.00; CULLS 85-110 LBS. 20.00-27.00, 60-85 LBS. 15.00-22.00.

FARM CALVES: HOLSTEIN BULLS #1 95-120 LBS. 80.00-95.00, 85-95 LBS. 40.00-60.00; HOLSTEIN HEIFERS #1 95-120 LBS. NONE, 80-95 LBS. 90.00-135.00; BEEF X BULLS TO 87.00.
BUTCHER HOGS: 45 HEAD. #1&2 240-275 LBS. 17.00-23.00; #1&3 12.50-14.00.

SOWS: 500-600 LBS. 11.00-13.00.
STOCK CATTLE: 208 HEAD. STEERS, SCARCE. 200-400 LBS. TO 67.50; 400-600 LBS. 52.00-60.00; 900-1050 LBS. 54.00-58.00.

HEIFERS: MED. AND LARGE FRAME 300-500 LBS. 53.00-60.00; 500-700 LBS. 47.00-56.00; 700-900 LBS.

45.00-51.00.

BULLS: MED. AND LARGE FRAME 200-400 LBS. 59.00-69.00; 400-600 LBS. 57.00-69.00; 600-800 LBS. 45.00-52.00; 1 ANGUS 975 LBS. AT 48.00.

DAIRY REPLACEMENTS: 87 HEAD. LARGE FRESH AND SPRINGING 975.00-1375.00; MEDIUM 725.00-900.00; SMALL 450.00-650.00; JERSEYS 500.00-625.00; HOLSTEIN BULLS 400.00-575.00; SMALL HOLSTEIN HEIFERS 190.00-270.00.

LAMBS: 32 HEAD. CHOICE TO PRIME 120-130 LBS. 57.00-58.00; GOOD TO CHOICE 100-120 LBS. 54.00-58.00; 60-90 LBS. 75.00-87.00.

ALL WED. SALES HELD AS USUAL OVER THE HOLIDAYS.

Storewide Savings at our YEAR-END SALE

Sat., Dec. 26 - Thur., Dec. 31
(Closing at 4 PM New Year's Eve)
Closed Christmas Day & New Year's Day

FREE COFFEE AND COOKIES

Save 10%
Cash and Carry

on EVERYTHING IN STOCK

Except: Pet foods, power tools, wormers, implants & sale items.

50% OFF
CHRISTMAS DECORATIONS
UNLESS OTHERWISE MARKED

Extra Value Red Tag
Specials

KEY-AID
ACE Hardware
1739 West Main Street, Ephrata

Low Prices, High Quality, Friendly Service, Convenient Hours
Monday-Friday 7:00 am - 9:00 pm
Saturday 8:00 am - 5:00 pm

(717) 738-4241



Needed for population this fall through Spring of 99

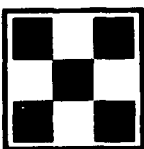
**Hog Finishing Barns
1000-4000 Head Capacity
No experience necessary**

We Provide:

- Single source of pigs
- High Health pigs
- Fixed contract payment
- Assistance in obtaining financing
- Successful record in industry
- Long term contracts

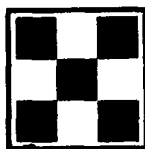
Finishing Barn Ownership Benefits:

- Steady, positive cash flow
- Building equity in facilities
- Excellent Part-time income



Contact

Purina Mills, Inc.
1-800-873-5300



THIS IS NOT A TEST...

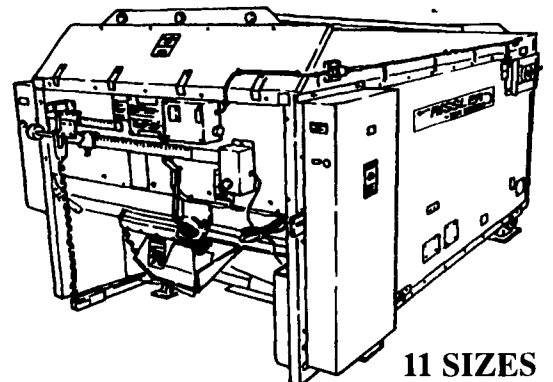
These questions will provide valuable information for the time you will be considering your next Feed Mixer.

1. *Who else uses 3/16" and 1/4" stainless steel on auger troughs?
2. *Who else uses stainless steel for the floors as standard?
3. *Who else uses 1/10" inside and .065 outside high density poly coated 1" plywood for their mixing box?
4. *Who else uses 1/2" and 5/8" stainless steel pins with large heads on their mixing chains?
5. *Who else uses welded steel chains with 5/16" and 3/8" side bars?
6. *Who else uses 3/8" and 1/2" flighting on all of their augers?
7. *Who else has a 10 year limited warranty on their mixing box?
8. *Who else has any machines in service for 15 years with very little repair and maintenance costs?
9. *Who else builds a mixer that still gives a near perfect mix, even with worn parts?
10. *Who else builds a mixer complete with safety shut off cables and contactor prewired for service?

You need a TMR Mixer that meets these standards!

You need a RISSLER TMR MIXER

- * RUGGED *
- * EFFICIENT *
- * ECONOMICAL *



11 SIZES

← L.H. RISSLER
- MANUFACTURING

448 Orchard Road
Mohnton, PA 19540
717-484-0551