

Easement Program Under Way

MONTROSE (Susquehanna Co.) — The Susquehanna County Agricultural Land Preservation Board was established by the County Commissioners in 1989 to preserve farmland in Susquehanna County by administering a program to purchase agricultural conservation easements from landowners in the county. The easements preserve farms with better soils so the land will be available for agricultural production forever. The owner of the farm continues to farm as usual but is restricted from developing or using the land for

any purpose other than agriculture.

To date over 2,088 acres have been preserved in Susquehanna County. The board is currently working with two other farms which will add another 540 acres when accepted into the program.

Program funding comes from an annual allocation by the Susquehanna County Commissioners. These county funds are matched by the State Bureau of Farmland Protection, which also awards grant money to the counties.

To be eligible, farms must be

located in an agricultural security area and contain at least 50% of soils in cropland or pasture which are class I through IV soils. Also, the farm must be capable of generating annual gross receipts of at least \$25,000.

Program applications are available now. Completed applications will be accepted between November 1 and January 15, 1999. For an application and/or more information, contact Evie Goff at the Susquehanna County Cooperative Extension office in Montrose, telephone (717) 278-1158.

Special Pages/Advertising/News Deadlines For Holidays, Farm Show Issues

(Continued from Page A1)

The issues for the first two weeks in January will have news and advertising messages related to the Keystone Farm Show and the Pennsylvania Farm Show.

December also brings the Christmas and New Year holidays. For *Lancaster Farming* this means many of the advertising and news deadlines will need to be early to accommodate the publication of the Dec. 26, Jan. 2, and Jan. 8 issues. Some deadlines fall in the week prior to the week of publication.

These deadlines are as follows:

December 26th Issue

Public Sale Ads — Noon, Monday 12/21
Mailbox Markets — Noon, Monday 12/21
Selection D Classified Ads — 3 p.m., Tuesday, 12/22
Farm Equipment Ads — 9 a.m., Wednesday, 12/23
All Other Display Ads — 5 p.m., Monday, 12/21
General News — Noon, Wednesday, 12/23

January 3rd Issue

Public Sale Ads — 5 p.m., Monday 12/28
Mailbox Markets — 5 p.m., Monday 12/28
Selection D Classified Ads — 5 p.m., Tuesday, 12/29
Farm Equipment Ads — 9 a.m., Wednesday, 12/30
All Other Display Ads — 5 p.m., Monday, 12/28
General News — Noon, Wednesday, 12/30

January 8th Issue

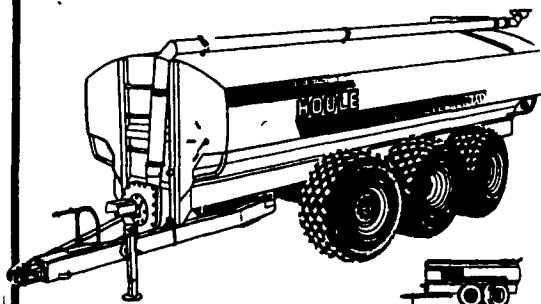
Public Sale Ads — 4 p.m., Friday 12/31
Mailbox Markets — 4 p.m., Friday 12/31
Selection D Classified Ads — 5 p.m., Tuesday, 1/5
Farm Equipment Ads — 9 a.m., Wednesday, 1/6
All Other Display Ads — 9 a.m., Monday, 1/4
General News — Noon, Wednesday, 1/6

DON'T LOOK ANY FURTHER!

YOU'LL FIND IT IN LANCASTER FARMING'S CLASSIFIEDS

LIQUID MANURE SPREADER

WITH FLOTATION TIRES TO MINIMIZE SOIL COMPACTION
Available with complete line of spreading tool bars and precise flow control to spread manure the ecological way eliminating spray drift and reducing odors. Our tool bars are designed to apply hog or dairy manure on growing fields, between rows of corn or on harvested fields.



4-6 OR 8 WHEEL SPREADERS WITH POWER STEERING - 3000 TO 9500 US GAL.

SPREADERS WITH SINGLE AXLE OR TANDERS - 2200 TO 6000 US GAL.

• "V" shape bottom for more complete clean out. • Standard exterior finish: epoxy primer and urethane paint.
• Low profile tank for maximum visibility and stability.

HOUSE FARM EQUIPMENT MANUFACTURER

Tanks In Stock For Year-End Purchase

SPREADERS, TANKS and PUMPS AVAILABLE FOR SALE OR RENT

"We're Here To Serve You"

SNOOK'S EQUIPMENT

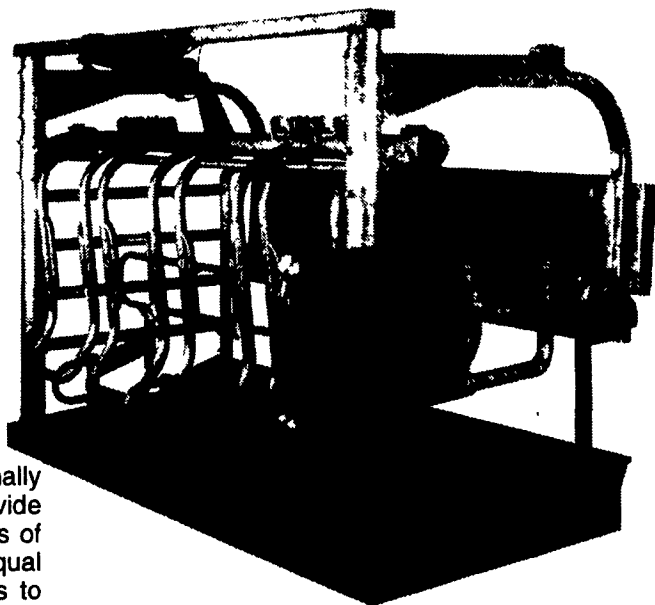
RD 3, Box 130, Mifflinburg, PA 17844

717-966-2736

Ask For Ernest or Dean

SURGE Magnum 90i

Herringbone Stall



The **MAGNUM SERIES** of parlor stalls are internationally designed, engineered and manufactured to provide maximum longevity with minimal maintenance, regardless of herd size. We at Babson Bros. Co. know, that of equal importance to equipment durability, are four other points to focus on: **Cow Comfort; Cow Positioning; Operator Safety and Throughput Capabilities...**



MOUNTAIN VIEW SUPPLY, INC.

Rd. 1, Box 1392
Hamburg, PA
610-488-1025

No other milking equipment and supply company has more experience, expertise and commitment in its ability to deliver service, knowledge and merchandise.

All of this contributes to the well-being of cows and the profitability of your dairy.

BRANDT'S FARM SUPPLY

Elizabethtown, PA
1-800-872-7478
717-367-1221

LONGACRE ELECTRICAL SERVICE, INC.

Bally, PA
215-845-2261

HOSTETTER SURGE

Rd. 2, Box 749
Annville, PA
717-867-2896

FORSHEY'S, INC.

110 Forshey St.
Martinsburg, PA
814-793-3791

JIM'S SURGE SALES & SERVICE

215 Oak Bottom Rd.
Quarryville, PA
717-786-1533