

NI 709 UNI 4X4,
2400 hrs. **\$7,500**
NI 767 Chopper \$1,200
(717) 627-7381

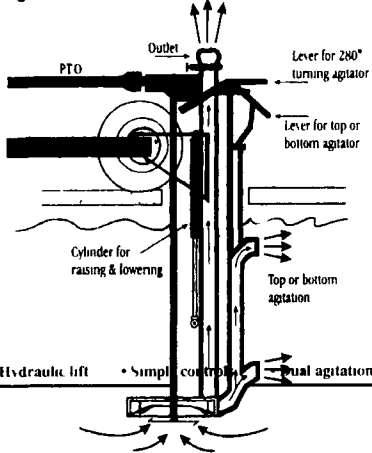
USED TRACTORS

- IH 986, Cab & Air, 4,700 hrs., Nice \$13,900
- IH 1086, 1980 Model.....\$14,900
- IH 1466.....\$9,200
- IH 826 Cab, Nice!.....\$7,900

USED EQUIPMENT

- Gehl 1540 Silage Blower.....\$1,450
- New Idea 206 Manure Spreader.....\$1,500
- Gehl 860 Harvester, nice.....\$3,700
- Gehl HA1110 grass head, like new. \$2,220
- Gehl TR30-38 2R corn head.....\$1,400
- NH 565 Baler (like new).....\$7,800
- (2) Firestone tires - 18.4x34 on International rims 70% tread.....\$400

Liquid Manure Pit Pumps



MILLER'S REPAIR
1 Mile North of Bird in Hand
8 Miles East of Lancaster
Ph. 717-656-6109

CLOSED
11/22 to 12/1

INT: 7110 w/cab; 3588, 2+2 w/Cab, 3230 w/loader; 3088, 1486 w/Cab; 1086 w/Cab; 986 w/cab; 966; 885 w/cab; 885 4WD w/loader; 886 w/cab, 766 w/Cab, 686, 685 4WD, 560, (2) 460, 300

JD: 4640 w/cab, PS, 4430 w/cab, (2) 2640 w/loader, 2550, 4WD w/loader, MT; Bobcat 743 skid steer, Ford 6600 w/cab & side mount bank mower; JD 455E Crawler loader, JD 2555 w/Loader, AC 6080 w/cab

MISC.: Great Plains No-Till Drill, 11 Hoe

New Farmco Hay Wagons
Farmco Feeders,
Tedders 9' & 17'
Hurst Trailers

From

LEADER'S FARM EQUIPMENT
Everett, PA
814-652-2809
Closed
Sundays & Mondays

All Types Of
Farm Equipment
Call before you come

1972 John Deere 4320

Very sharp, crisp tractor, runs well, 7900 hrs., 18.4x38" long-short bars, factory wide front with 10.00x15", double raked front weights, new batteries. **\$13,450.** Duals available.
513-423-0706

YORK COUNTY FARM EQUIPMENT

Emigsville, PA

717/764-6412. 717/764-5115

Dealer of new Woods
Equipment & Parts

WOODS

- JD 40 w/Loader
- Ford 2110 Tractor w/Full Cab & New Woods Loader, 4x4
- Kubota L2350 (230 hrs)
- Int 140 w/Loader
- Farmall 130 w/cultivator
- Int. 444 Gas
- IH 424 (gas)
- Ferguson TO35 w/Loader
- Ford 600
- Ford 3000 3-Cyl. Gas
- NH 33 & 38 Flail Choppers
- JD 894 Hay Rake
- Used Woods 121 Rotary Mower
- Woods HD 315 Rotary Mower
- Woods Finish & Field Mowers & Snow Blowers in stock

Best Buys In Used Equipment

CALL FOR SPECIAL DEALS -

TRACTORS

JD 2640 w/Orchard cab, Coming In
Case IH 2096, 2WD, cab
Farmall M Tractor
Case IH 5240 2WD, cab
Case IH 7110, 2WD w/duals
IH 5288 w/duals cab, air

COMBINES & HEADS

NH TR86 Combine, 2WD (W)
NH 973 Grain Head, 15' (W)
NH 974 Corn Head, 6R, 30" (W)
IH 863 Corn Head, 6R, 30"
JD 6600 cab, diesel
Case IH 1640 combine, w/1020 grain head, 15', 1850 hrs
Case IH 1640 combine, w/1020 grain head, 17 1/2', 1300 hrs
(2) Case IH 1640 combine w/1020 grain head, 17 1/2'
IH 1420 combine w/15' 820 head
IH 815 combine, w/820 grain head, 13'
Gleaner L combine w/6R 30" corn head, 15' grain header
MF 1144 corn head, 4R 36"

HAY & FORAGE

(2) Gehl 312 Side Delivery Manure Spreaders (W)
NH 276 baler w/quarter turn (W)
IH 45 baler (W)
Fox 2310 Forage Harvester, 2R (W)
NH 425 Wire Baler (W)
NH 718 Forage Harvester (W)
Case IH 3650 Round Baler (S)
NH 282 Baler w/thrower (W)
Kuhn Tedder (W)

LAWN & GARDEN

Cub Cadet 1860 w/46" mower deck & bagger
Cub Cadet 2160 w/46" deck
Woods 6200 w/52" deck, 0 turn
Cub Cadet 482, 44" mower deck
Cub Cadet 1320 w/46" mower deck & bagger
JD tiller fits on JD 110, 112 tractor

IRRIGATION EQUIPMENT

Bauer Rainboy 50-150
Cummins diesel 200 hp engine w/Hale 60 FM7 pump
Capran D2/50 PTO pump

MISCELLANEOUS

Rhino FD90 disc harrow, cushion gang, hyd fold 18' 10"
Unverferth Perfecta II, 13'
Hardy air blast, 3pt, 100 gallon
Case IH 4500 field cultivator w/Buster Bar, 22'
Cub I bot plow for fast hitch
Case IH 568 seed bed conditioner, 4R
Brillion 24' crow foot packer
IH 140 4X16 roll over plow
MF 620 disc harrow, 20'
IH 800 plate planter 4R, 36" w/fertilizer, granular insecticide
FMC Sprayer, D060, 600 Gal Tank, 72' Hyd Boom

FARM TRACTOR PARTS

USED - RECONDITIONED - NEW

Largest Computerized Inventory In The East

RECENTLY ARRIVED FOR SALVAGE

Farmall A JD 4840
John Deere H Oliver 70

WENGERS

814 SOUTH COLLEGE STREET (ROUTE 501)
MYERSTOWN, PA 17067

800-451-5240 (717-866-2135)

FAX 717-866-7866 wengers@ptd.net

www.wengers.com

MON.-FRI. 7:30-5:00 SAT 7:30-12:00



Farm-Rite inc.
Agricultural Equipment, Supplies & Services

122 Old Cohansey Rd.
Shiloh, NJ 08353
1-800-752-6373

109 E. Avenue
Woodstown, NJ 08098
1-800-848-5051

© 1998 CASE CORPORATION

Visit us on the Internet at <http://www.casecorp.com>
Case IH is a registered trademark of Case Corporation



831 S. College St. (P.O. Box 409)

Myerstown, PA, 17067

RENTALS AVAILABLE

HOURS: Mon-Fri • 7:30-5:00
Saturday • 7:30-Noon



WENGERS OF MYERSTOWN

Construction Equipment & Parts

As low as

5.9% Financing
thru Nov. 30, 1998

EXCAVATORS

- J.D. 190E, 1995, 1900 Hrs. P.O.R.
- Cat E70B, 1989, 3500 hours \$26,500
- Hitachi EX100, 1990, 3400 hours \$34,500
- Cat 307, 1994, 2600 hours \$38,500
- (2) Komatsu PC120-6, 1994-1993.....Choice \$52,500
- 1997 Komatsu PC-120-6E 700 hrs.....\$69,500
- 1995 Komatsu PC-200-6E, 1700 hrs.....\$79,500
- Cat 320L, 1994, 2500 Hrs.....\$79,500
- 1994 Cat 320L.....\$85,000
- 1997 Cat 320B 1150 Hrs.....\$99,500
- Link Belt 3400 Q, 1995, 2400 Hrs.....\$120,000

TRACTOR LOADERS

- Ford 260, 4x4, 3pt, PTO \$24,500
- Ford 445 PTO, Cab, 3 pt. Engine is stuck \$5,800
- Ford 515 Cab, 3 pt. PTO \$10,500
- Ford 445C 4x4, 3pt, PTO, Soft Cab \$25,750

RUBBER TIRED LOADERS

- Dresser 510, 1979, cab.....\$19,500
- JD 344E, 1989, cab, low hrs.....\$38,500
- 1992 Cat 910E Cab, Air.....\$38,500
- Cat IT18, 1985, cab.....\$46,500
- JD 544E 1989, Cab.....\$47,500
- Cat IT 14B, 1993, cab, low Hrs.....\$56,500

ROLLERS

- Eager Beaver SRH150-1986-1-1/2 Ton \$2,450
- Gallon 4-6 Ton, 1960, tow package \$3,000
- Bomag BW100AD, 1987.....\$9,500
- Tampo RS16, 1982, 60" smooth.....\$16,500
- Ingersol Rand DD24, 1991.....\$19,500
- Tampo RP28D, 1983?, 84" pad foot, DD.....\$19,500
- (2) Rex SP600, 66" Smooth, 1980-82.....\$23,500 ea
- Dynapac CA 15D, 1973, 66" Smooth, DD.....\$24,500
- Dynapac CA 15D, 1976, 66" pad foot.....\$24,500
- Dynapac CA 15D, '84, 66" smooth, DD.....\$27,500
- Dynapac CA25 II, 1984, 84" Drum Drive.....\$29,500
- Case 602B, 69", D.D.....\$29,500
- Ingersol Rand SD100D-84" Smooth-1989.....\$39,500

MOTOR GRADERS

Huber D1500, 1972, cab, scarifier.....\$7,500

TRAILERS

- 1998 5 Ton Tag-a-long, 6.5x14.....\$1,595
- 1998 5 Ton Tag-a-long, 6.5x16.....\$2,195
- 1998 5 Ton Tag-a-long, 6.5x18.....\$2,295
- 1998 6 1/2 Ton Tag-a-long, 8x19.....\$3,750
- 1998 10 Ton Tag-a-long, w/air, 8x23.....\$7,900
- 1998 20 Ton Tag-a-long, w/air F.E.T. paid, 8.5x25...\$12,800

MISCELLANEOUS

- Clark American 2000 Sweeper, lpg.....\$4,500
- Vermeer 2465 Stump Grinder, diesel.....\$8,500
- Puckett Bros T650B, 1988, paver.....\$12,500
- Neal DM4000 Paver, 1987, dsf, 600 hrs.....\$17,500
- Euclid R22 End Dump-1967.....\$22,500
- International S2500 Tandem Axle Rollback, 1979,
JD 762 Self Loading Pan, 1980, cab.....\$34,500