

15th Nittany Lion

(Continued from Page A33)

Matthew Mosholder of Rockwood, PA, bought the high seller for \$4,000 from consignor Emily Cloninger of Centre Hall. An Astre two-year-old out of a Pageant dam, Røeber Astre Starbuck-ET is due in January to Boulet Charles-ET.

The second high seller was a July Charles/Starbuck heifer calf which went for \$3,900 to Desirac Hillegass of Berlin, PA. The consignors were Tom McCauley and

Fred Strouse of Elizabethtown. A Duster two-year-old consigned by Barry England of Williamsburg went to Ed and Glenn Brake of Mercersburg for \$3,350.

Other high sellers were: a Choice female pregnancy out of a Celsius dam, consigned by Ray and Francis Davis of Leesport and sold to Steven and Barbara Wilson of Port Royal for \$3,150; Penn-Dell Prescott R Hazel, consigned by Barbara Houser of Spring Mills and sold to Carla Frederck of Martinsburg for \$2,775.

Sheep Association Conducts Sale

HARRISBURG (Dauphin Co.) - The Pennsylvania Suffolk Sheep Association held its 35th annual ewe sale in conjunction with the recent Keystone International Livestock Show here.

The high-selling and champion sale ewe and also reserve champion of the open show was the first-place sale yearling consigned by Keith McConnell of New Wilmington. Andrew Gerhart of Reinholds was the buyer at \$925.

The reserve champion sale ewe was the first-place spring ewe lamb consigned by Lyn Lee farms, Sue and Gerald Clair, of State College. Nick Baker of Ellicott City, Md., purchased the lamb for \$600. Second high-selling ewe was another Keith McConnell yearling that went to Jeremy O'Neill, Titusville, for \$775. Hilltop Haven, Karen Fleishel, Woodbine, Md., got a Lyn Lee yearling for \$700.

The first place fall ewe lamb

consigned by James Hefner, Lima, Ohio sold at \$525 to Hevner Bros., Keymar, Md. The Hevner were the volume buyers taking six head.

The sheep were purchased by 23 buyers from Pennsylvania, Ohio, Delaware, New Jersey, Maryland, and New York. Thirty-five head averaged \$352. Rod Crome of Maryland judged the Suffolk show. Billy MacCauley of Atglen served as auctioneer. Sale clerks were Andrea Musser, Joan MacCauley, and Donald Hunter.

Daview Juror Rena-TW, consigned by Luther and Teresa Davis of Kutztown and sold to Joseph Pavelski of Susquehanna for \$2,700; and Daka Skychief Kim, consigned by Paul Neer, Belleville, and sold to Durrell Delp, Williamsburg, for \$2,500.

The Penn State Dairy Science

Club sale committee members were: Chris Connelly, overall chairman; Diane Glock, assistant chairman; Steve Pavelski, Rachel Tanis, and Matt Jewart, selections; Dave Packard and Olivia Courtney, animal preparation; Vicki Ansell and Roberta McConnell, marketing/publicity; Andy Graybill, finance; Rachel

Birch and Angie Moschini, reception; Justin Howes and Jason Baughman, barn managers; Todd Morris and Rozanne Kirst, arena preparation.

Sale staff members were: Harry Bachman, auctioneer, Michael Weimer, pedigrees, Donald Welk, Ken Raney, and William Allen, ringmen.



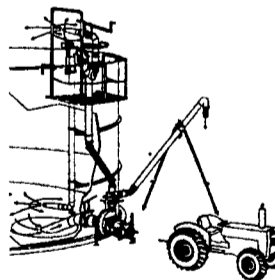
The Penn State Dairy Science Club sale committee members pose with the highest two sellers. The sale averaged \$1,878 on 52 lots.

NOBODY STICKS THEIR NOSE IN OUR BUSINESS

Mid-Atlantic Agri Systems

and HOULE

The right combination for all of your liquid waste equipment needs. We offer unbeatable quality, the most complete line of equipment, service and installations, rental equipment and custom application. No matter the situation we can help solve your liquid waste problems. Call us today!



USED/RENTAL LIQUID MANURE EQUIPMENT

Spreaders

- 1998 Houle 4,800 gal. brakes, 28Lx26 tires \$16,900
- (2) 1998 Houle 5,350 gal. brakes, 28Lx26 tires \$18,200
- 1998 Houle 4,050 gal. w/23.1x26 tires, brakes \$12,800
- (2) 1998 3,850 gal. tanks, (1) with brakes & 23.1x26 tires, (1) w/o brakes, with 28Lx26 tires \$14,300 ea
- (1) Houle 3,600 gal w/23.1x26 tires \$11,500
- (1) Wic 2,900 gal. w/16.5x16.1 \$4,950
- (1) Wic 3,300 gal. w/21.5x16.1 \$4,950
- Balzer 3350 Vacuum \$15,900
- Calumet 3750 Top Fill \$7,000

Pumps

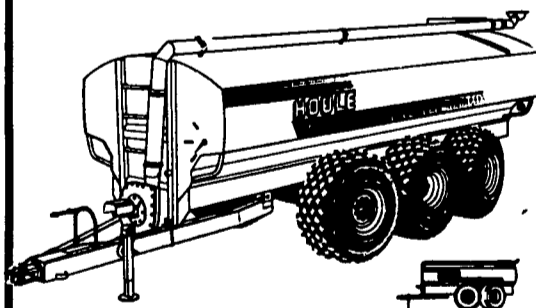
- 1998 Houle 32' multi-purpose lagoon pump \$10,500
- 1998 Houle 42' multi-purpose pump, rental unit. \$11,500
- 3" transfer pumps, different lengths CALL
- Houle 28" Maxi-Pump CALL
- 1997 Houle 42' Lagoon SUPER PUMP, excellent for thick manure w/sand \$6,500
- Houle 32' and 42' Agi Pumps \$7,500 to \$10,000
- Houle 8' -12' Double Gearbox Pump on Trailer \$4,000
- 1996 Houle 42' Lagoon Pump \$7,000
- Butler Lagoon Pump Working Condition \$2,000
- 1985 Badger BN184 Lagoon Pump 540 RPM \$1,000
- 1988 Houle 32' Lagoon Pump CALL
- 2 Cadman 3250 Hard Hose Reels CALL
- Badger 8' Pump \$2,000 OBO

See Us For Your Alley Scraper Needs

LIQUID MANURE SPREADER

WITH FLOTATION TIRES TO MINIMIZE SOIL COMPACTION

Available with complete line of spreading tool bars and precise flow control to spread manure the ecological way eliminating spray drift and reducing odors. Our tool bars are designed to apply hog or dairy manure on growing fields, between rows of corn or on harvested fields.



4 - 6 OR 8 WHEEL SPREADERS WITH POWER STEERING - 3000 TO 9500 US GAL.

SPREADERS WITH SINGLE AXLE OR TANDEMS - 2350 TO 6000 US GAL.

- "V" shape bottom for more complete clean out.
- Standard exterior finish: epoxy primer and urethane paint.
- Low profile tank for maximum visibility and stability.

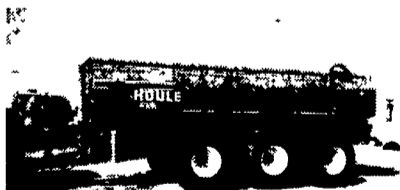
HOULE FARM EQUIPMENT MANUFACTURER

Call For SAVINGS On 1998 Rental Units

SPREADER TANKS and PUMPS AVAILABLE FOR SALE OR RENT

"We're Here To Serve You"
SNOOK'S EQUIPMENT
RD 3, Box 130, Mifflinburg, PA 17844
717-966-2736
Ask For Ernest Orphan

Alley Scrapers • Barn Cleaners • Piston Pumps • Separators • Lagoon and Pit Pumps • Tank Spreaders • Transfer Pumps • Irrigation Pumps • Agitators • Flush Valves • Flush Pumps



1998 Houle 6,300 gal. 28Lx26, brakes, 1/4" steel, lights, bottom deflector \$27,460



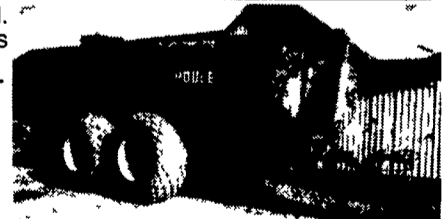
(1) Houle 3,850 gal. w/23.1x26 tires and brakes
1998 Rental Unit \$14,250

(3) Houle 5,250 gal. w/steering, brakes & 28Lx26 tires

(1) new **SOLD** \$24,890
(1) 1997 rental unit
(1) 1998 rental unit
Either Rental Unit Your Choice \$19,500

(1) Wic 2,900 Gal. w/16.5x16.1

(1) Wic 3,330 Gal. w/21.5x16.1 \$4,950 Each



Top Volume

HOULE

Dealer

Mid-Atlantic AgriSystems

4019 Ashville Rd., Quarryville, Pa. 17566



800-222-2948
717-529-2782

