

explains using the computer for labor needs like employee manuals, performance reviews, job descriptions and tracking hours.

Globalize Your Business With a Home Page.
Limerock Room — Hear how fruit grower Tom Owens, Cider Mill Farm, Elkridge, Md., built his own home page. Also, Penn State's Laura Watts teaches you how to start yours!

Smart Computer Shopping
New Holland Room — Penn State computer experts Albert Nakpil and Tom Weber tackle buying and leasing questions for computers and related equipment.

Field Mapping and Crop Recordkeeping
Kinderhook Room — Learn what field maps can do for you. Marty Campfield of Nutrient Solutions in Agriculture demonstrates. Also, finetune your crop management by tracking inputs and yields (speaker to be announced)

Computer Use in Vegetables
Strasburg Room — Shelby Fleischer, Penn State entomologist, explains how GPS systems are being developed for use in sweet corn and potatoes. Also, Fenby Moore, Lantland Farm, Woodbine, Md., discusses computer applications in his family's diverse operation

Hands-On Workshop: Spreadsheets & Databases
Paradise Room — Analyze and get organized with these tools

“Passing On The Farm” Workshops Set

HARRISBURG (Dauphin Co.) — Who will be the next generation of Pennsylvania farmers? That question is central to both Pennsylvania agriculture and your farm's future.

If you would like to see your farm remain in agricultural production, it is never too early to consider your options on how to pass your farm business to the next generation.

To help you in the process, Pennsylvania Farm Link is hosting day-long workshops at two locations at Sandy Kaye's

Restaurant in Shelocta on Nov. 13 and the 4-H Center in Creamery on Nov. 24.

Individual who want to learn ways to successfully transfer their farm to family members, or those wanting to locate interested beginning farmers, are urged to attend. Beginning farmers, or people who are new to farming, are also urged to attend to discuss beginning farmer issues and ways to gradually develop a farm business.

According to Farm Link Director Marion Bowlan, “Forty-

five percent of Pennsylvania's farm operators are age 55 or older. There are two times as many operators over the age of 65 as under the age of 35. In the next 10 years, nearly one quarter of the state's 44,800 farms will change hands. How we address this problem will affect agriculture in Pennsylvania for generations to come.”

Working to assist in the successful transfer of family farms and to help retain agricultural lands in production, Pennsylvania Farm Link sponsors regional farm succession workshops for beginning and retiring farmers.

Scheduled from 9 a.m. to 3:30 p.m., the workshops will address the following issues: business planning, farm loan resources, legal aspects of a transfer, marketing ideas, start-up strategies, bringing the next generation into the farm business, record keeping, farm transfer strategies, and farmland preservation programs.

Participating agencies and individuals include Pennsylvania Farm Link, Penn State Cooperative Extension, Farm Credit, Farm Service Agency, Indiana County Agricultural Land Preservation Board, Pennsylvania Department of Agriculture, American Express financial advisers, an attorney, and a panel of local farmers.

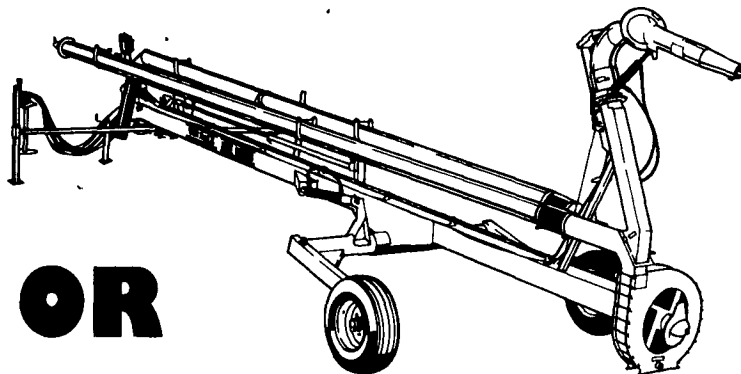
Preregistration for this free workshop is required by calling Farm Link at (717) 558-7726 by Nov. 9 for the Shelocta location and Nov. 23 at Creamery.

Participants will be required to purchase lunch at Sandy Kaye's Restaurant — prices generally are under \$10 (plus tax and gratuity). At Creamery, lunch is on your own.

Sandy Kaye's Restaurant is located at Routes 156 and 422 in Shelocta. The 4-H Center in Creamery is located on Rt. 113, approximately two miles from Colledgeville.

Now through
November 15, 1998,
make your **BEST DEAL**
with your
WASTE HANDLER DEALER
and receive:

CLEAN UP! WITH WASTE HANDLERS



OR

LOW 4.9% LEASE RATE

SPECIAL J-STAR BUY-DOWN PROGRAM*

- 4.9% Lease Rate FOR 24 MONTHS
- 6.9% Lease Rate FOR 36 MONTHS
- 8.9% Lease Rate FOR 48 MONTHS



WASTE HANDLERS™ by J-STAR®

* One advance payment plus 10% security deposit held as residual in advance. 10% deposit is the lease buyout at the end of the lease.

\$500 to \$1,500 CASH BACK

\$500 CASH BACK

(Slinger & Vacuum Tankers)

- 2,700 Gallon Tankers
- 3,300 Gallon Tankers
- 4,000 Gallon Truck Tanker
- Lagoon Pumps

\$750 CASH BACK

(Slinger Tankers)

- 4,100 Gallon Tankers
- 4,800 Gallon Tankers
- 5,600 Gallon Tanker

\$1,000 CASH BACK

(Slinger Tankers)

- 6,100 Gallon Tankers
- 7,200 Gallon Tankers

\$1,500 CASH BACK

(Vacuum Tankers)

- Heavy Duty 4,000
- Heavy Duty 5,500

See These Dealers For Details Now...

HARRY TROOP
Cochranville, PA 19335
215-593-6731

JAMES L. HOSTETTER
McVeytown, PA 17051
717-899-6386

MILL CREEK FENCE & FARM
Lancaster, PA
717-396-8987

SOLLENBERGER SILOS CORP.
Chambersburg, PA 17201
717-264-9588

WALNUT BARN EQUIPMENT
Port Royal, PA
717-436-9429

HISTAND'S FARM & HOME SERVICE
Rome, PA 717-744-2371

FRANKLIN'S FARM SERVICE
Laceyville, PA 717-869-24

PRINGLES SUPPLY & EQUIPMENT INC.
Greenville, PA 16125
412-588-7950

SOMERSET BARN EQUIPMENT
Somerset, PA 15501
814-445-5555

MARYLAND

HOOVER EQUIPMENT
Tyrone, PA 16686
814-684-1777

K & S, INC.
Quarryville, PA
717-284-3111

ROVENDALE AG & BARN EQUIPMENT
Watsonstown, PA 17777
717-538-9564
OR 717-742-4226

STAR SILOS
Myerstown, PA 17067
717-866-5708

GLADHILL TRACTOR MART
Frederick, MD 21701
301-663-6060

LAPP'S BARN EQUIPMENT SALES & SERVICE
Gap, PA 17527
717-442-8134

McMILLEN BROTHERS
Loysville, PA
717-789-3961

FARM BUILDINGS NEED PAINTED?

Let Gahring's **BRIGHTEN** Up Your Life

"The Farm Painting Specialist"



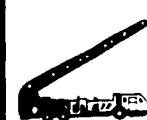
WE ARE THE FUSSY ONE'S

OUR SPECIALTIES ARE:

- AGRICULTURE - COMMERCIAL - INDUSTRIAL - CHURCHES
- Barn Painting • Milk House • Roof Coating
- Water Proofing Silos • Stucco Farmhouses

The Job Must Be Done To Your —Satisfaction—

For FREE Estimate CALL



Gahring's

PAINTING & WATERPROOFING
636 East End Ave., Lancaster, PA
717-397-4187