

# Mifflin County Farm Bureau Meeting Centers On Act 50

**GAIL STROCK**  
Mifflin Co. Correspondent  
LEWISTOWN (Mifflin Co.) — Members of the Mifflin County Farm Bureau met at Hoss's Steak and Sea House in Lewistown recently to adopt policy, elect directors, and to learn more about Act 50, the Taxpayers' Local Control Act.

According to Pennsylvania Farm Bureau Regional Organizational Director Roger Sheesley, Act 50 would provide for taxation based on ability to pay, not on land ownership. The act is an ef-

fort to put control back into the hands of the taxpayer.

"This is not just a Farm Bureau issue. It's a rural and taxpayers' issue. We're the vehicle to drive it home," Sheesley said.

Under Act 50, each school district would choose whether or not to change the basis for taxation from land ownership to income. Nuisance taxes would be eliminated, including occupational taxes. Citizens can petition for a public vote should the school district decide not to change. Sheesley said farmers are hit harder un-

der the present tax system because they own the land and do not always see an increase in income. Act 50 would not conflict with Clean and Green or the Homestead Act.

Sheesley recognized President Mark Ellinger and Membership Chairman Ken Loht with American Farm Bureau Federation membership awards. Loht signed up more than 20 new members in 1998.

Member Relations Director Elrose Glick recognized Helen Kirk for her efforts as county newslet-

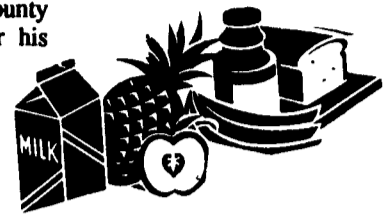
ter editor and county information director and Ken Loht as membership chairman. He asked members to look ahead a few years and present ideas for MCFB's 50th anniversary celebration.

State Director Wayne Freeman presented bonus and co-op checks to Membership Chairman Ken Loht and MCFB President Mark Ellinger. Kent Spicher, Marlin Dunmire, and Orville Heister were elected to serve three-year terms on the Mifflin County Farm Bureau board.

Legislative Chairman Dave Esh presented Senator Corman with a basket filled with Mifflin County products in appreciation for his

honesty, integrity, and many years of good communication.

The members adopted the following policies: 1. We recommend the Limited Winery Act be amended to allow 25 percent non-Pennsylvania grapes to be used for wine production in accordance with the Bureau of Alcohol, Tobacco and Firearms regulations; 2. We recommend that Mifflin County School Board investigate Act 50 and use it as a starting point to instigate local property tax reform.



Now through  
November 15, 1998,  
make your **BEST DEAL**  
with your  
**WASTE HANDLER DEALER**  
and receive:

**\$500 to  
\$1,500  
CASH  
BACK**

**\$500 CASH BACK**

(Slinger & Vacuum Tankers)

- 2,700 Gallon Tankers
- 3,300 Gallon Tankers
- 4,000 Gallon Truck Tanker
- Lagoon Pumps

**\$750 CASH BACK**

(Slinger Tankers)

- 4,100 Gallon Tankers
- 4,600 Gallon Tankers
- 5,600 Gallon Tanker

**\$1,000 CASH BACK**

(Slinger Tankers)

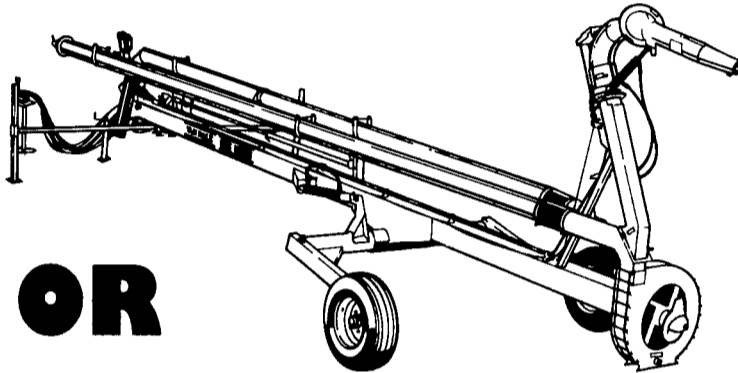
- 6,100 Gallon Tankers
- 7,200 Gallon Tankers

**\$1,500 CASH BACK**

(Vacuum Tankers)

- Heavy Duty 4,000
- Heavy Duty 5,500

# CLEAN UP! WITH WASTE HANDLERS



**OR**

**LOW  
4.9%  
LEASE  
RATE**

**SPECIAL J-STAR  
BUY-DOWN PROGRAM\***

- **4.9%** Lease Rate FOR 24 MONTHS
- **6.9%** Lease Rate FOR 36 MONTHS
- **8.9%** Lease Rate FOR 48 MONTHS



**WASTE HANDLERS™**  
by J-STAR®

\* One advance payment plus 10% security deposit hold as residual in advance. 10% deposit is the lease buyout at the end of the lease.

**See These Dealers For Details Now...**

<b>HARRY TROOP</b> Cochranville, PA 19335 215-593-6731	<b>JAMES L. HOSTETTER</b> McVeytown, PA 17051 717-899-6386	<b>MILL CREEK FENCE &amp; FARM</b> Lancaster, PA 717-396-8987	<b>SOLLENBERGER SILOS CORP.</b> Chambersburg, PA 17201 717-264-9588	<b>WALNUT BARN EQUIPMENT</b> Port Royal, PA 717-436-9429
<b>HISTAND'S FARM &amp; HOME SERVICE</b> Rome, PA 717-744-2371	<b>FRANKLIN'S FARM SERVICE</b> Laceyville, PA 717-869-24	<b>PRINGLES SUPPLY &amp; EQUIPMENT INC.</b> Greenville, PA 16125 412-588-7950	<b>SOMERSET BARN EQUIPMENT</b> Somerset, PA 15501 814-445-5555	<b>MARYLAND</b>
<b>HOOVER EQUIPMENT</b> Tyrone, PA 16686 814-684-1777	<b>K &amp; S, INC.</b> Quarryville, PA 717-284-3111	<b>ROVENDALE AG &amp; BARN EQUIPMENT</b> Watsonstown, PA 17777 717-538-9564 OR 717-742-4226	<b>STAR SILOS</b> Myerstown, PA 17067 717-866-5708	<b>GLADHILL TRACTOR MART</b> Frederick, MD 21701 301-663-6060
<b>LAPP'S BARN EQUIPMENT SALES &amp; SERVICE</b> Gap, PA 17527 717-442-8134	<b>McMILLEN BROTHERS</b> Loysville, PA 717-789-3961			

## FREE SEMINAR ON PAYROLL SERVICES

- Tax Laws
- Legal Issues
- Employee benefit plans for small employers

**TUESDAY  
OCTOBER 27, 1998  
7:00 PM**



Susan Greider

### GREIDER'S TAX SERVICE

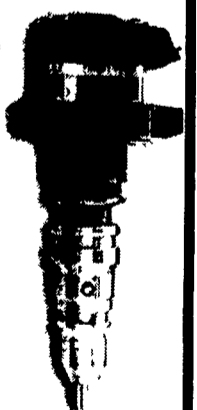
2733 Willow Street Pike  
Willow Street, PA 17584  
(717) 464-2951  
Fax (717) 464-2013

## FORD - IHC

**POWER STROKE OWNERS!**



Now Available  
1994 - 1997  
Power Stroke  
Remanufactured  
Electronic  
Fuel Injectors



EXCHANGE IN STOCK

**\$ \$ EXCELLENT \$ \$  
PRICING**

**We want to be YOUR  
Fuel Injection Specialist**

## MILLER DIESEL INC.

FUEL INJECTION & TURBO SPECIALIST

6030 JONESTOWN ROAD,  
HARRISBURG, PA 17112

(717) 545-5931  
1-800-296-5931



**ADS**