

Maryland To Host NE Collegiate Soil Judging

COLLEGE PARK, Md. — If you happen to see youthful dirt-loving persons emerging from southern Maryland pits during Thursday-to-Saturday daytime hours next week, don't fear a Halloween danse macabre (dance of death) gathering.

What you're probably seeing is ag students from nine colleges and universities who are participating in the Northeast Regional Collegiate Soil Judging Contest, an annual October event being held in Maryland for the first time since 1990.

The actual contest will be held somewhere in Anne Arundel County on Oct. 31, rain or shine. The exact location is kept secret from participants until the day of the contest.

But practice judging pits will be available on Oct. 29 and 30 at several sites in Anne Arundel and Prince George's counties. One of the practice pits will be located at the University of Maryland's Upper Marlboro facility of the Central Maryland Research and Education Center (former tobacco research farm) at 2005 Largo Road, four miles north of Upper Marlboro.

This year's event is being hosted by the Department of Natural Resource Sciences and Landscape Architecture in the College of Agricultural and Natural Resources at the University of Maryland. Collaborating organizations include the U.S. Department of Agriculture's Natural Resources Conservation Service in Maryland and the Smithsonian Environmental Research Center near Edgewater.

Delvin S. Fanning, professor of soil science at the University of Maryland, chairs the planning committee for this year's contest. He is being assisted by Steve Birch, a graduate student and former UM soil judging team member. Fanning noted that Maryland hosted the national collegiate soil judging contest in 1994.

Helping to locate a contest site

for this year's contest were Richard A. Weismiller and Mark Haddon. Weismiller chairs the UM Department of Natural Resource Sciences and Landscape Architecture. Haddon is director of educational programs at the Smithsonian Environmental Research Center.

Colleges and universities expected to be represented in the contest include Ohio State, Penn State, Cornell University of Connecticut, University of Rhode Island, and the University of New Hampshire. Also, Wilmington College of Wilmington, Ohio; Delaware Valley College of Doylestown, Pa.; and the University of Maryland, College Park. Coaching the Maryland team will be Martin C. Rabenhorst, professor of soils. He will be assisted by John Wah, a UM graduate student. Rabenhorst was a student member of University of Maryland soil judging teams that won the Northeast regional championship in 1973 and 1974. He is a Maryland native. Dr. Mark Stolt, another UM alumnus and Maryland native, coaches this year's University of Rhode Island soil judging team.

JAMES & CLARK, LLP Attorneys-At-Law

Mark L. James James R. Clark Brian S. Black

Estate Planning for Farm Families

- Wills, living trusts and tax planning
- Charitable giving

Business Planning for Farm Families

- Farm partnerships and corporations
- Succession Planning/Farm Transfers

Real Estate

- Tax-free exchanges of real estate
- Real estate settlements
- Tax planning for sale of conservation easement

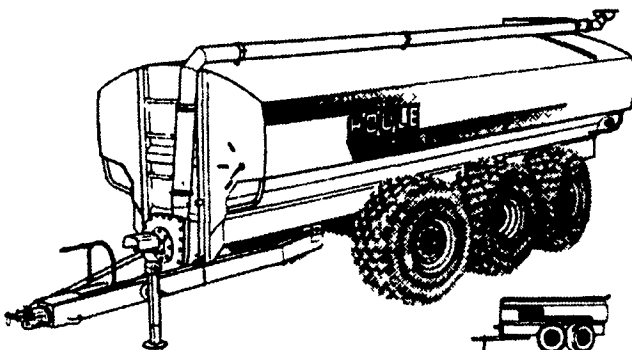
Estate Settlements

- Prompt and courteous settlement
- Tax planning during settlement

1907 Division Hwy
Ephrata, PA 17522
(717) 355-2800

LIQUID MANURE SPREADER

WITH FLOTATION TIRES TO MINIMIZE SOIL COMPACTION
Available with complete line of spreading tool bars and precise flow control to spread manure the ecological way eliminating spray drift and reducing odors. Our tool bars are designed to apply hog or dairy manure on growing fields, between rows of corn or on harvested fields.



4-6 OR 8 WHEEL SPREADERS WITH POWER STEERING-3850 TO 9500 US GAL.

SPREADERS WITH SINGLE AXLE OR TANDEM-2350 TO 6000 US GAL.

- "V" shape bottom for more complete clean out.
- Standard exterior finish: epoxy primer and urethane paint.
- Low profile tank for maximum visibility and stability.

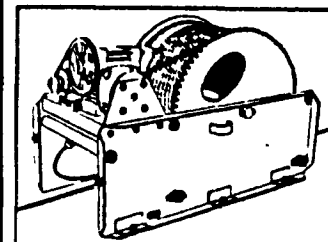
HOWLE Spreaders & Pumps
In Stock for Immediate Delivery
& Rental Units Available

HOWLE

CABLE SCRAPER

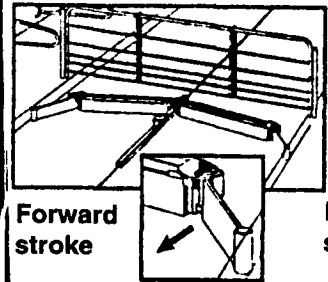
SYSTEM FOR FREE STALL BARN

DRIVE UNIT
WITH 3/8" STAINLESS
STEEL CABLE

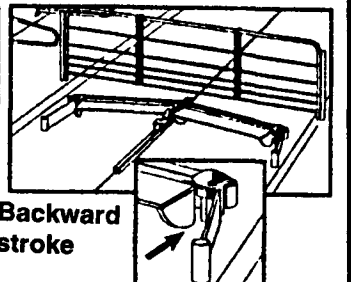


- Drive chain #80.
 - Shaft end of reducer supported by an extra roller bearing to eliminate the overhung load of drive chain.
- CONTROL PANEL:**
Multi-function with programmable clock, adjustable overload relay and controls to operate the system in continuous or manual mode.

16° TILTING SCRAPER
WITH FOLDING ENDS



Forward stroke



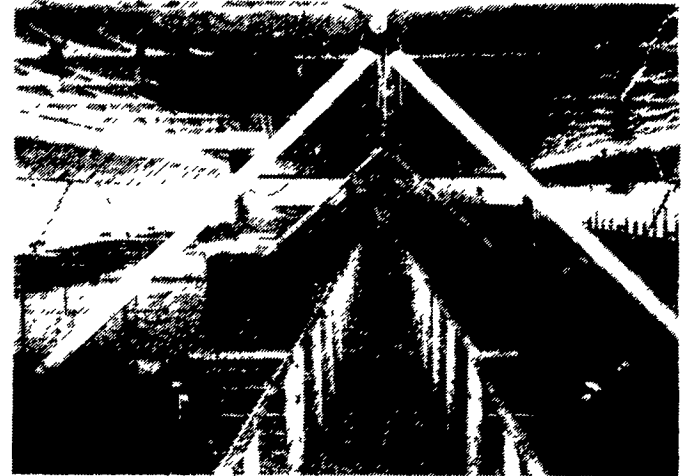
Backward stroke

- Scraper angled shape brings manure towards center for improved lateral stability.
- Folding ends following uneven alley width for better cleaning.
- During backward stroke,

the blades instantly tilt 4-1/2" upward above bottom of alley to prevent dragging of manure. 16" DIA. CORNER WHEELS: Mounted on greaseable taper roller bearings protected by 2 seals.

SCHICK ENTERPRISES Quality Turn Key Hog Buildings

- ★ Full Service Company
- ★ Personalized Attention
- ★ Competitive Prices



FENCING
Concrete
or
steel

CONCRETE
Slats

WATERING
Systems

ADA
PLASTIC
COATED
FLOORING

STACO
SS FEEDERS

G.S.I. BINS
&
Fill Systems

LIFETIME
HYDRAULIC
TRAILERS

AAA
VENTILATION
LIFETIME
GUARANTEE

New warehouse, fully stocked with all your equipment and building needs.

Contracts available. Call us today!

610-285-6985 1-800-527-7675

Kutztown, PA



Cedar Crest Equipment

Two Convenient Locations

608 Evergreen Rd.
Lebanon, PA 17042
(717)270-6600
1-800-646-6601

RD 2 Box 271
East Earl, PA 17519
(717)354-0584