



25' Marklift, 1989, 4x4, 3 Available, \$6,990

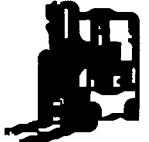
717-529-2512
No Sunday Calls

- Cat D4B, 1987, 2700 hrs, 6-way blade, excellent condition.....\$26,000
 - Hitachi EX 120-2, 1992, 3176 hrs, 36" digging bucket, excellent condition.....\$39,500
 - Case 1155E track loader, 1986, 3050 hrs.,.....\$28,500
- Can Rent on Trial
STONEY CREEK RENTALS
610/683-9583

Pettibone gas forklift, hi-lift, lifts 6,000 lb 30', 4x4, \$6,800 (814)467-8839

Reconditioned 4-71 Detroit Diesel Engine Four Valve Head \$3,500, CAT 910 Wheel Loader, Rebuilt Engine, New Paint, Center-Pins Tight, Tires Good Excellent Machine \$25,000, Rebuilt 3-53 Detroit Diesel Engine \$5,250 Outright (814)236-2858

FORKLIFT
Hyster 3000 Lb. Air Tires, Propane Fuel, Good Inside/Outside
\$3500
717/657-1316

Equipment
CHALK
Sales - 150 Forklifts In Stock

410-686-6800
BALTIMORE, MD

WANT TO BUY all makes and models of construction equipment. (301)371-5500.

Salt spreader, 10' hyd. drive, box type, very nice, \$1200 OBO. 717/896-8023 leave message.

953 Loader LGP 1986 ER-OPS New Engine 60% UC \$49,000.; 1988 D-3 Dozer, New Tracks, Fresh Engine. O ROPS \$25,000 (410)257-3285.

FOR SALE
1996 Case 850G Dozer
700 Hrs.
\$60,000
Days, 814-383-2510
Eves., 814-383-2606

USED & NEW PARTS PRICED RIGHT

DISMANTLING

- | | | |
|------------|--------------|---------------|
| Cat Case | IHC Michigan | Gallon Wabco |
| John Deere | Hough | Dynahoe |
| Trojan | Terex | Koehring |
| Drott | Hein Werner | AC/Fiat Allis |
| & Others | | |

Dismantling Over 650 Machines For Parts
NATIONWIDE PARTS LOCATING SERVICE

In addition to our own large inventory, we have two computerized parts locator services, nationwide & Canada, ready to serve you. In less than a minute, over 600 used & new parts & equipment suppliers will receive your parts request. Parts are located easily & at substantial savings. Try Our Services

Save \$\$\$ Parts Shipped Anywhere Direct To You.
All Parts Guaranteed
"We Return All Phone Calls"

BALANDA EQUIPMENT, INC.
P.O. Box 407 • Route 29 • Palm, PA 18070
Phone: (215) 679-3900 • Fax: (215) 679-8727
TOLL FREE: 1-800-322-8030

Cat 941 Loader
\$9,000
Cat 941B Loader, 1400 Hrs on rebuilt motor by Cat, 95% UC
\$18,000
717/345-6416

	
Cat 1T 18B w/Rockland Log Forks w/Thumb, Material Bucket, New Paint..... \$39,500	Komatsu D66S, Both Good Running Condition, Job Ready One Left \$29,500
	
'96 NH LX565, New Bucket, Good Rubber, 1800 Hrs.....\$12,900	Case 850D, 6-Way, Long Track.....\$29,000
95 NH LX885, Good Rubber, Hand Controls, 1030 Hrs.....\$17,500	Case 450C Dozer, 6-Way, 1-Owner Machine, 1500 Original Hrs., Excellent... ..\$24,500
'90 Bobcat 743D, 3900 Hrs., Cab Encl., New Rubber\$8,500	
93 Cat 416B 4x4, Ext. Hoe, New Rubber.....\$33,000	JD755 Crawler Loader, 4-in-1 Bucket, Good Condition.....\$17,000
93 Ford 555D, ROPS, Low Hours.....\$20,000	Case 850D, 6-Way, Long Track.....\$29,000
Galion T500A Motor Grader, EROPS, Good Running Condition.....\$9,000	Case 450C Dozer, 6-Way, 1-Owner Machine, 1500 Original Hrs, Excellent.....\$24,500
Allied Hopac 8700C Plate Compactor, Like New.....\$4,000	(2) GSI 20', Electric.....\$2,800 Ea.
JD 670 Motor Grader ..Coming In	
JCB 525B, 5,500 Lb., 22' Reach... ..\$22,000	
92 Ingersoll Rand 706F Rough Terrain For SOLD 22' 4x4 Cummins Diesel.....\$22,000.	

Weaver's Equipment Sales
RD#1, Box 418, Milton, Pa. 17847
Phone: 717-523-9598



DIGGING DOWN? POWER UP!

Kubota introduces the KX-Series mini-compact excavators from 22.2 HP to 42.7 HP, featuring Kubota's "Power Up" hydraulic system that increases digging performance and traveling speed. Whatever your construction needs, we have the right excavator for you. The KX 41 and KX-71 come with a two speed swing system that improves operator feel in delicate digging areas, while the KX-101 and KX-151 are equipped with the "TPSS" two pattern selection system that lets the operator choose the most comfortable operating pattern. If you require an excavator that delivers superior performance and digging capabilities, work a Kubota KX Excavator and "Power Up"




Kubota


Model	HP	Digging Depth	Operating Weight
KX-41	22.2	6'9" 1" 7'11" 3"	3,615 lbs
KX-71	32.2	8'9" 1" 10'2"	6,415 lbs
KX-101	36.6	10'1" 3" 12'5"	8,115 lbs
KX-151	42.7	12'0" 3" - 12'8"	12,025 lbs

Prices Starting As Low As **\$356⁰⁰** per month.

MESSICK FARM EQUIPMENT, INC.

Rheems Exit - Rt. 283, Elizabethtown, PA 717-367-1319, 717-653-8867

Case Crawler Loader

Cummins Diesel, 4 In 1 Bucket, Rebuilt OROPS, Heavy Duty Winch **\$9,500**
609-691-0526

FOR SALE

1990 HITACHI EX100,
\$34,500 or rent for \$2,000 a month.
Wengers of Myerstown
717-866-2130 ask for Ken

25 Ton Eager Beaver
Small Enough To Pull Behind Your Dump Truck,
Big Enough To Haul Your Medium Size Excavator,
Only 8 Degree Loading Angle
See Binkley & Hurst Bros. Inc. Today



25XPT EASY LOADER:
25 Ton Capacity Tri-Axle, 8° Degree Loading Angle

- CAPACITY 50,000 Lbs
- Overall Width. 102", Length: 34'4"
- Deck Length. 22' Flat, 6' Beavertail
- Trailer Weight. 11,200 Lbs.
- Deck Height: 34"
- Ramps. 72" Long x 21 1/4" Wide
- Optional Aluminum Extension Ramps

Call 1-800-414-4705 717-626-4705
Ask For Dean

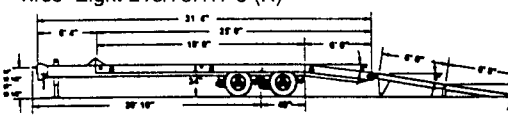
Model 35GSL/S4S: 35 Ton Detachable Gooseneck, Non-Ground Engaging



Good Financing Available With Credit Approval
Eager Beaver

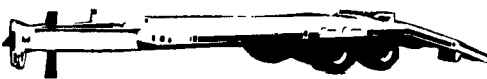
Model 20XPT EASY LOADER

- Capacity 40,000 lbs
- Trailer Weight 8,400 lbs
- Overall Width 102", Length 31'4"
- Deck Width 102", Length 25', Height 34" (Optional 96" Width)
- Ramps 72" Long x 21-1/4" Wide Range 102" Max 23" Min
- Tires Eight 215/75R17 5 (H)



EASY LOADER
Low 8 Degree Loading Angle Fits Most Job Applications
• Pavers • Dozers • Rollers • Excavators
• Loader Backhoes

NEW Eager Beaver TRAILERS
MODEL 10HA: 10 Ton



- Capacity 20 000 lbs at 54 MPH
- Deck Width 96" Length 24", Height 32"
- Overall Width 96" Length 29'6" • Tires Eight 8 75x16 5 (E)

BINKLEY-HURST BROS. INC.
133 Rothsville Station Rd.
P.O. Box 0395, Lititz, PA 17543-0395
(717) 626-4705 1-800-414-4705 Fax (717) 626-0996

MasterCard, Discover, Farm Plan