

Belleville Livestock Auction

Belleville, Pa.
October 7, 1998

Report Supplied By PDA

CATTLE 309 [PDA] [Supply in cluded 201 cows and heifers in Dairy sale] sl cows mostly 2.00 lower
SLAUGHTER STEERS few Select 45 75-50.00, couple Standard 1-2 45 35-46 00

HOLSTEINS couple Select 1-2 44 00 & 45 25

HEIFERS couple Choice 1055 & 1325 lbs 52 75 & 53 75, couple Standard 1-2 39 75 & 40 00

COWS Breakers 75-80% lean 31 50-36 50, Boners 80-85% lean 28 00-32 50, low dressing 25 00-27 00, Lean 85-90% 21 50-28 50 Shells down to 14 00

BULLS few Yield Grade 2 1355-1610 lbs 32 00-36 00

FEEDER CATTLE STEERS few Large 2 345-460 lbs 38 00-49 50, HEIFERS Medium 1-2 345-760 lbs 37 00-47 50, BULLS few Medium and Large 2 580-720 lbs 38 00-42 00

CALVES 70 VEALERS Standard and Good 80-115 lbs 18 00-20 00, Utility 60-110 lbs 10 00-16 00

FARM CALVES No 1 Holstein bulls 90-115 lbs 50 00-72 00, No 2 90-105 lbs 30 00-47 50, one No 1 Holstein heifer 100 lbs 162 50, few No 2 60-90 lbs 32 00-52 50

HOGS 9 BOARS 250-410 lbs 5 00-10 00

FEEDER PIGS 161 US 1-3 35-55 lbs 8 00-17 00, one lot 20 00 --- per head

SHEEP 14 SLAUGHTER LAMBS Choice 70-90 lbs 68 00-75 00

SLAUGHTER SHEEP few 28 00-30 00, couple Yearlings 58 00 & 61 00

GOATS 29 Few Medium Billies 38 00-44 00, Large Nannies 42 00-58 00, Large Kids 25 00-42 00, few Small 10 00-15 00 --- per head

HOLSTEINDAIRY COWS \$625 00-\$1435 00 --- per head

Snyder County Produce Auction

Oct. 5 & 7, 1998

Port Trevorton, PA

Report Supplied by Auction

APPLES: 5.00-9.00 1/2 BU., 6.00-12.50 BU.

BEANS: GREEN 5.50-8.00, YELLOW 7.00-9.00, LIMA 6.00-14.00, ALL 1/2 BU. BROCCOLI: 4.00-6.00 BU.

Weaverland Produce Auction

New Holland, PA

Oct. 6 & Oct. 8 1998

Report Supplied by Auction

APPLES: 3.00-5.50 1/2 BU.

BEANS: GREEN 5.00-9.75 BU., YELLOW 3.00-8.00 1/2 BU.; LIMA 2.50-9.00 1/2 BU.

BROCCOLI: .05-.65 HEAD.

CABBAGE: GREEN .30-.55 HEAD.

CANTALOPES: SM. TO LRGE. .05-1.40.

CAULIFLOWER: .05-1.65 HEAD.

GRAPES: 5.50-10.50 1/2 BU.

ORNAMENTALS: PRIZE WINNER, BIG MAC 3.00-10.50; GOURDS 3.00-9.00 BU.; GOOSE GOURDS 35-1.65 EACH; J-B LITTLES 4.00-9.00; BABY PAMS .07-.22 EACH; INDIAN CORN .50-2.95; INDIAN FINGERS .05-.75.

PEPPERS: GREEN SM. TO LRGE. 1.75-4.50 1/2 BU.; RED SM. TO LRGE. 2.50-6.00 1/2 BU.; HOT 3.00-6.00 1/2 BU.

POTATOES: WHITE 5.00-8.00 50 LB., SWEET 4.30-6.00 1/2 BU.

PUMPKINS: NECK .35-2.75 EACH.

RED BEETS: 6.00-12.00 1/2 BU.

SQUASH: WINTER 3.00-9.00 BU.; BUTTERNUT .07-.22.

SWEET CORN: 1.25-2.95 DOZ.

TOMATOES: RED SM. TO LARGE 8.00-22.00 25 LBS.

WATERMELONS: SEEDLESS .75-2.00, SANGRIA .35-1.20.

FLOWERS: MUMS .65-4.10.

NEXT AUCTION DAYS TUES., THURS., FRI. 9 A.M.

CABBAGE: GREEN .40-.90 HEAD. CANTALOPES: SM. .70-1.40. CAULIFLOWER: .70-1.45 HEAD. CIDER: 1.80 GAL, .90 1/2 GAL. EGGPLANT: 9.00-12.50 1/2 BU. GARLIC: 22.00-28.00 30 LB. BOX. GRAPES: GREEN 2.00-9.00 BOX. HONEYDEWS: 2.00-4.00 5-CT BOX. ONIONS: YELLOW 5.00-8.00 1/2 BU.; SPANISH 8.00-14.00 50-LB. BAG. PEARS: 2.00-6.00 1/2 BU. PEPPERS: GREEN SM. TO LRGE. 5.00-8.00 1 1/9 BU.; RED SM. TO LRGE. 4.00-7.00 1/2 BU.; HOT 2.00-5.00 1/2 BU. PICKLES: 9.50-15.00 1/2 BU. POTATOES: RED 4.00-6.00, WHITE 4.00-7.00 50 LBS. PUMPKINS: NECK .50-1.40 EACH. RED BEETS: 7.00-9.00 1/2 BU. SQUASH: YELLOW 2.00-7.00 1/2 BU., ACORN 4.00-5.50 BU., BUTTERNUT 4.00-5.00 BU.; SPAGHETTI 3.00-6.00 BU.

TOMATOES: RED SM. TO LRGE. 6.00-14.00 1/2 BU.; YELLOW SM. TO LRGE. 10.00-18.00, 1/2 BU. WATERMELONS: CRIMSON .60-1.50 12 LBS., YELLOW 30-.85. ZUCCHINI: GREEN 4.00-7.00 1/2 BU., YELLOW 3.00-6.50 1/2 BU. FLOWERS: MUMS .80-5.50 BY THE POT.

ORNAMENTALS, FACE PUMPKINS SMALL TO LG. .50-2.00; PRIZE WINNER, BIG MAC 5.00-15.00; GOURDS 1/2 BU. 4.00-6.00; GOOSE GOURDS EACH 1.00; J-B LITTLES 1/2 BU. 4.00-7.00; BABY PAMS EA. .20-.36; INDIAN CORN BUNCH .80-1.10; INDIAN FINGERS BUNCH .50-.80; POPCORN .35-.70. SALE DAYS MON., WED., AND FRI., 11 A.M.

Indiana Livestock

Homer City, PA

Thursday, Oct. 8, 1998

Report Supplied by Auction

CATTLE: 130. COWS STEADY TO 1.50 LOWER. STEERS: CHOICE 2-3 1250-1535 LBS. 53.00-58.75, FEW SELECT 1-3 49.75-51.25. STANDARD 1-2 38.00-47.50. HEIFERS: CHOICE 2-4 1100-1535 LBS. 53.00-57.25, SELECT 1-3 50.00-52.50; STANDARD 1-2 42.00-48.00, FEW TO 37.00. COWS: BREAKERS 75-80% LEAN 31.00-34.00, BONERS 80-85% LEAN

27.50-31.50; LEAN 85-90% LEAN 22.00-28.00; SHELLS DOWN TO 23.00. BULLS: YIELD GRADE 2 1040-2015 LBS. 32.00-40.00.

FEEDER CATTLE: STEERS: M&L1 FEW 340-745 LBS. 56.00-61.00; M&L2 300-675 LBS. 34.00-50.00. HEIFERS: M&L1 FEW 535-685 LBS. 53.00-55.00; M&L2 310-675 LBS. 40.00-45.00. BULLS: M1 595 ONE AT 60.00. M&L2 FEW 370-680 LBS. 30.00-45.00.

CALVES: 75 VEALERS COUPLE CHOICE 165-280 LBS. 55.00-59.00. GOOD 255 LBS. ONE AT 45.00. STANDARD & GOOD 95-110 LBS. 20.00-28.00; STANDARD & GOOD 70-85 LBS. 15.00-27.00. UTILITY 60-95 LBS. 9.00-14.00.

FARM CALVES: HOLSTEIN BULLS NO. 1 95-120 LBS. 48.00-75.00, NO. 2 85-110 LBS. 27.00-45.00. HOLSTEIN HEIFERS: NO. 1 106 LBS. ONE AT 100.00. NO. 2 80-90 LBS. COUPLE 33.00-50.00. BEEF TYPE BULLS & HEIFERS 75-105 LBS. 30.00-66.00.

HOGS: 18. 45-50% 225-235 LB. 35.00-36.50. 40-45% 270 LBS. 3 AT 30.00.

SOWS: BOARS: 290-930 LBS. 5.00-9.00.

FEEDER PIGS: 50 1-3 45-60 LBS. 16.00-32.00, 2-3 15-25 LBS. 5.00-11.00. GOATS: 4. NANNIES MEDIUM 15.00-36.00.

(Continued from Page A2)

SLAUGHTER LAMBS: Choice and Prime 2-3 40-60 lbs 100.00-135.00; 60-90 lbs 80.00-105.00; 90-110 lbs 70.00-80.00; 110-150 lbs 60.00-70.00. Good and Choice 1-3 40-90 lbs 75.00-85.00; 90-110 lbs 65.00-70.00.

SLAUGHTER EWES: Good and Choice yearling and 2 year-olds 35.00-60.00. Utility and Good 1-3 30.00-42.00, fleshy 2-3 25.00-30.00.

GOATS: All goats sold by the head. Billies: Large 100.00-125.00. Medium 75.00-100.00. Mutton: Choice and Prime 60.00-80.00. Nannies: Medium and Large 40.00-65.00. Yearlings: Choice and Prime 55.00-75.00. Kids: Choice and Prime 45.00-60.00. Good 20.00-45.00.

Lancaster County Weekly

Lancaster, Pa.

Friday, Oct. 9, 1998

	Cattle	Calves
This Week	2196	1599
Last Week	2748	1751
Last Year	2535	1760

CATTLE: COMPARED TO LAST WEEK'S CLOSING PRICES, THE SLAUGHTER STEER MARKET STARTED THE WEEK SLIGHTLY HIGHER AND THEN CONTINUED THE ADVANCEMENT UNDER LIGHT RECEIPTS TO CLOSE 1.00-1.50 HIGHER. THE QUALITY OF THIS WEEK'S LIGHT SUPPLY WAS VERY GOOD AND TRADING WAS MUCH MORE ACTIVE THAN A WEEK AGO. WESTERN DIRECT TRADE ROSE 2.00 THIS WEEK AS CASH CATTLE PRICES CHASED THE CHARGING FUTURES MARKET. THE MAJOR FEEDYARD AREAS SOLD CATTLE FOR 59.00 LIVE AND 93.00 IN-THE-BEEF. LOCAL HOLSTEIN STEER PRICES CLOSED FULLY STEADY AND A NARROW TEST OF SLAUGHTER HEIFERS ENDED .50-1.00 HIGHER. THE SLAUGHTER COW MARKET ENDED MOSTLY STEADY, AFTER SIX STRAIGHT WEEKS OF LOSSES. SLAUGHTER BULLS WERE ALSO MOSTLY STEADY. THIS WEEK'S SUPPLY WAS MADE UP OF AROUND 37 PERCENT SLAUGHTER STEERS, 6 PERCENT SLAUGHTER HEIFERS, 43 PERCENT SLAUGHTER COWS, 5 PERCENT BULLS AND THE BALANCE WERE FEEDER CATTLE.

SLAUGHTER STEERS: HIGH CHOICE AND PRIME 2-4 1110-1475 LBS. 57.75-62.25, LATE MOSTLY 59.00-62.00; FEW IDEAL INDIVIDUALS UP TO 64.00. CHOICE 2-3 1080-1500 LBS. 57.00-60.60, FEW HIGH DRESSING 1-2 UP TO 61.75; 1500-1575 LBS. 56.00-57.75. SELECT AND LOW CHOICE 2-3 1030-1560 LBS. 53.25-58.75. SELECT 1-3 1090-1550 LBS. 50.00-56.75. STANDARD 1045-1440 LBS. 46.25-52.00.

HOLSTEIN STEERS: PACKAGE HIGH CHOICE AND PRIME 2-3 1198 LBS. 53.35. CHOICE 2-3 1205-1635 LBS. 51.00-53.10; FEW 1650-1790 LBS. 48.10-50.50. SELECT AND LOW CHOICE 2-3 1190-1600 LBS. 48.85-51.35. SELECT 1-2 920-1500 LBS. 45.75-49.50; COUPLE 1823 LBS. 41.75. PACKAGE STANDARD 1-2 1076 LBS.

44.25. SLAUGHTER HEIFERS: PACKAGE HIGH CHOICE AND PRIME 3 1235 LBS. 59.25, CHOICE 2-3 1075-1310 LBS. 56.25-59.00, FEW HIGH DRESSING 1-2 UP TO 61.50 AND LOW DRESSING 4-5 DOWN TO 53.85. SELECT AND LOW CHOICE 2-3 1035-1350 LBS. 53.50-57.00. COUPLE PACKAGES SELECT 3 950-955 LBS. 48.00. HEIFERETTES: FEW CHOICE 3 1000-1245 LBS. 45.00-47.25. COMMERCIAL AND STANDARD 2-4 770-1000 LBS. 32.00-42.00.

SLAUGHTER COWS: BREAKERS: 75-80 PCT. LEAN, OVER 1400 LBS. BULK 34.00-37.00, LOW DRESSING 31.25-34.50; BONERS 80-85 PCT. LEAN OVER 1200 LBS. BULK 31.00-35.00, LOW DRESSING 28.00-32.75; LEAN (HI-YIELD) 85-88 PCT. LEAN, OVER 1200 LBS. BULK 29.50-33.00, LOW DRESSING 27.25-30.00; LEAN 88-90 PCT. LEAN, OVER 1000 LBS. BULK 26.50-30.75, LOW DRESSING 25.00-28.05; LEAN (LIGHT WT.) 85-90 PCT. LEAN, 750-1000 LBS. BULK 24.50-28.00, LOW DRESSING 23.50-25.50.

SLAUGHTER BULLS: YIELD GRADE 1 1000-1675 LBS. 42.75-49.50, INDIVIDUAL SIMMENTAL 1385 LBS. 50.50. YIELD GRADE 2 900-1995 LBS. 32.50-45.00. BULLOCKS: SELECT 1-3 1070-1350 LBS. 44.00-53.75. OXEN: PAIR 2590 LBS. EACH 30.25.

CALVES: COMPARED TO LAST WEEK'S CLOSE, VEALERS SOLD 3.00-5.00 HIGHER AND SLAUGHTER CALVES FINISHED MOSTLY STEADY. DEMAND WAS GOOD FOR HOLSTEIN BULL FARM CALVES, BUT PRICES SLIPPED 15.00-20.00 LOWER. TRADING CONTINUES TO BE VERY ACTIVE FOR HOLSTEIN HEIFER CALVES AND PRICES WERE MOSTLY STEADY TO 5.00 LOWER.

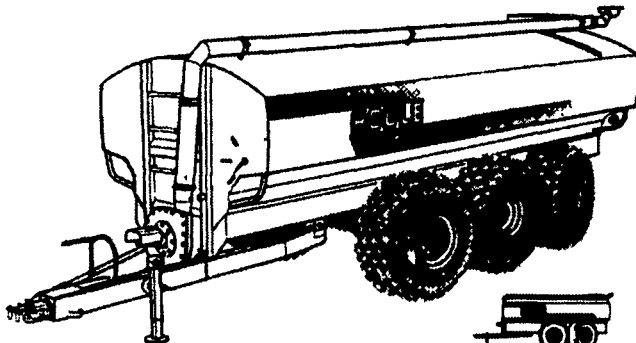
VEALERS: GOOD AND CHOICE 70-110 LBS. 17.00-27.00. STANDARD AND LOW GOOD 60-90 LBS. 10.00-18.00.

SLAUGHTER CALVES: GOOD AND CHOICE FEW 200-250 LBS. 70.00-90.00; 250-350 LBS. 55.00-70.00; 350-500 LBS. 50.00-65.00; FEW 500-600 LBS. 52.00-58.00. STANDARD 250-500 LBS. 40.00-50.00.

RETURNED TO FARM: HOLSTEIN BULLS 90-125 LBS. 57.00-88.00. PLAINER TYPE BULLS 80-115 LBS. 26.00-65.00. HOLSTEIN HEIFERS 80-120 LBS. 115.00-235.00. PLAINER HEIFERS 70-100 LBS. 70.00-132.00.

LIQUID MANURE SPREADER

WITH FLOTATION TIRES TO MINIMIZE SOIL COMPACTION Available with complete line of spreading tool bars and precise flow control to spread manure the ecological way eliminating spray drift and reducing odors. Our tool bars are designed to apply hog or dairy manure on growing fields, between rows of corn or on harvested fields.



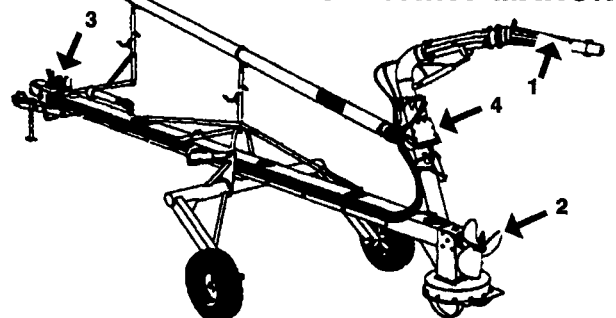
4-6 OR 8 WHEEL SPREADERS WITH POWER STEERING-3850 TO 9500 US GAL.

SPREADERS WITH SINGLE AXLE OR TANDEM-2350 TO 6000 US GAL.

- "V" shape bottom for more complete clean out.
- Standard exterior finish: epoxy primer and urethane paint.
- Low profile tank for maximum visibility and stability.

HOULE TRAIL AGI-POMPE
32' and 42' for Lagoons

GREAT PERFORMANCE IN HOG OR DAIRY MANURE



- 1-Highly articulated nozzle designed to slice and break the top crust from above the manure level as the propeller homogenises the liquid with the remaining floating chunks.
- 2-24" dia. mixing propeller providing full time agitation up to 21,500 US G.P.M. even when loading a spreader.
- 3-Hydraulic controls can be operated from tractor seat.
- 4-Rotative directional valve designed to be operated at low R.P.M. without stopping the P.T.O.

Gear box oil bath protected by a greasable 3 seals mechanism on each shaft.

AVAILABLE WITH MULTIPURPOSE OPTION TO ALSO CLIMB INTO CONCRETE PITS UP TO 14' DEEP.

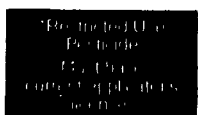
HOULE Spreaders & Pumps
In Stock for Immediate Delivery
& Rental Units Available

Rent the **HOULE**
Steering Axle Spreader

MAKE THOSE RODENT TRACKS END!

*Zp Tracking Powder for mice (Indoor use only) 500 gm Jar

*Ditrac Tracking Powder for Rats & Mice (Indoor or outdoor use) 6 lb. bucket



Blain Supply
Blain, PA
717/536-3861



Cedar Crest Equipment
Two Convenient Locations

608 Evergreen Rd.
Lebanon, PA 17042
(717)270-6600
1-800-646-6601

RD 2 Box 271
East Earl, PA 17519
(717)354-0584