

JD 490D excavator.....\$39,000
 1991 JD 555G crawler loader.....CALL
 JD 210C loader backhoe.....\$18,500

Check out the NEW **Thomas T248HD**

J D EQUIPMENT
 Pennsburg, PA 18073
 215-679-5958

STOLTZFUS TRACTOR SERVICE

Rebuilding engines, transmissions,
 PTO's, Tune-ups.

1715 Beaver Valley Pike,
 Strasburg, PA 17579

717-786-0256

Amos Stoltzfus
 "15 Years Experience"

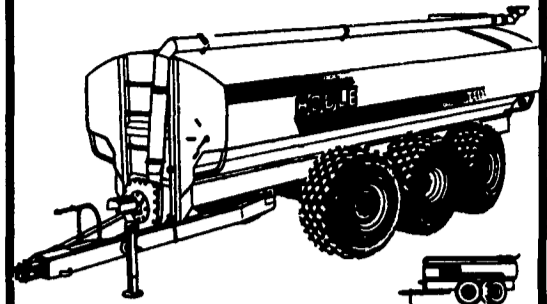
White 6100 No-Till Corn
 Planter, 1995 Model, 6RN,
 Deluxe Monitor, Lq. Fert/
 Insect. \$11,200.
 (301)797-1926.

WOODS 121 10' pull type
 mower, one owner, \$2,200.
 410-833-9091

Zimmerman Portable
 Headgate, 3pt Hitch,
 Mounted, \$600/obo. Call
 Jim (301)898-5735.

**LIQUID
 MANURE SPREADER**

WITH FLOTATION TIRES TO MINIMIZE SOIL COMPACTION
 Available with complete line of spreading tool bars and precise
 flow control to spread manure the ecological way eliminating
 spray drift and reducing odors. Our tool bars are designed to
 apply hog or dairy manure on growing fields, between rows of
 corn or on harvested fields.



4 - 8 OR 8 WHEEL SPREADERS WITH POWER
 STEERING - 3000 TO 6000 US GAL.

SPREADERS WITH SINGLE AXLE OR
 TANDERS - 2300 TO 6000 US GAL.

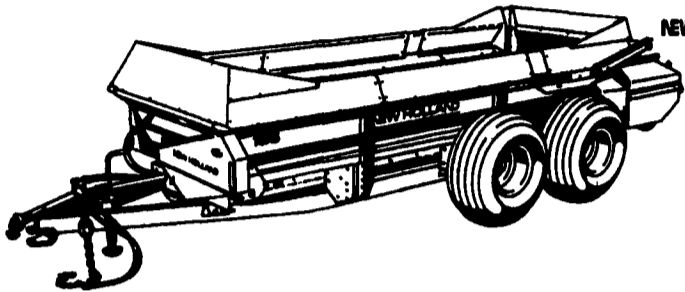
- "V" shape bottom for more complete clean out.
- Standard exterior finish: epoxy primer and urethane paint.
- Low profile tank for maximum visibility and stability.

Built for the long haul

The New Holland Model 185 is a spreader you won't buy too often...because it's going to be with you for a long time. Here's why:

- Corrosion-resistant steel sides
- Indestructible plastic floor boards (HDPE)
- 12-year guarantee for FREE floor and sides if they fail

The Model 185 carries a 287-bushel load with ease. We'd like to show you why this is the best-selling spreader in its class.



FOR SALE

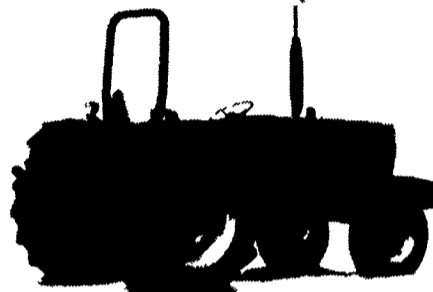


Jet Pro 936 M Series Dryer

\$48,500

Wengers Of Myerstown
 717-866-2130 - Ask for Ken

FOR SALE



AGCO ALLIS 5650, 47 HP

Only \$13,995

Call 717-867-2211

BHM Farm Equipment
 Annville, PA

HOLE FARM EQUIPMENT
 MANUFACTURER

**Call For SAVINGS
 On 1998 Rental Units**

**SPREADER TANKS and
 PUMPS AVAILABLE
 FOR SALE OR RENT**

"We're Here To Serve You"
SNOOK'S EQUIPMENT

RD 3, Box 130, Mifflinburg, PA 17844

717-966-2736

Ask For Ernest or Dean

QUALITY USED EQUIPMENT FOR SALE

- IH 584 Tractor - \$6,495
- MF 520 12 ft. Disc Harrow
- Century 200 Gal. 3 Pt. Sprayer

HAY EQUIPMENT

- NH 488 Haybine
- (2) NH 489 Haybines
- (2) NH 492 Haybine
- NH 499 Haybine
- NH 1495 Haybine
- NH 412 Discbine
- NH 256 Rake
- JD 894A Hay Rake
- Zimmerman 7½ Ft. Hay Tedder
- IH 430 Baler w/thrower
- NH 310 Baler w/Thrower
- Hesston 555T Round Baler-\$10,995
- JD 27 14 ft. Flail Shredder
- Bush Hog 6' Flail Mower

HARVESTING EQUIPMENT

- Gleaner "K" Combine w/Grain Platform
- NH 890 Harvester w/Heads
- NH 782 Harvester w/ **SOLD**
- NH 27 Blower
- NH 28 Blower
- NH 717 Harvester

Super Boom™ is best

When you're looking for a skid-steer, there's the challengers and then there's the champ. Well say hello to the undisputed champ in the all-new Model LX885 New Holland Super Boom™ skid-steer loader.

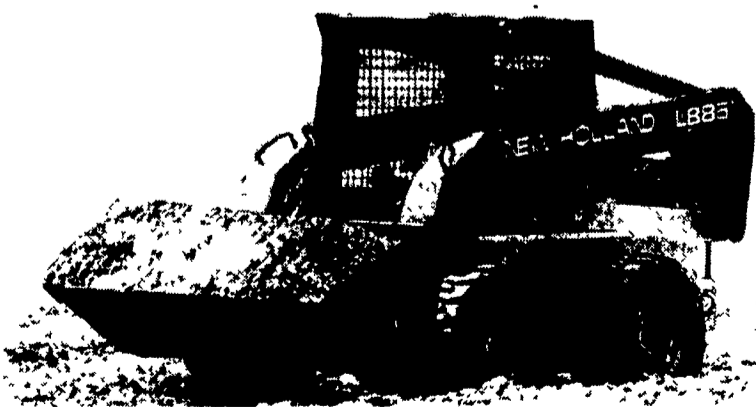
It has a 60-horsepower, turbocharged diesel engine for the ultimate in power. Its massive 2,200-lb. operating load picks up where all others leave off. Of course, it has the features you expect from New Holland, such as the best speed, stability, visibility, lift height and dump reach in the industry. Add that to the Pick Up 'n Go™ universal attachment system and there's nothing it can't handle.

Stop by today and see for yourself why no other skid-steer can compare.



Why choose a New Holland skid-steer loader?

- Superior visibility
- Unbeatable stability
- Faster speeds
- Superior dump height & reach
- Greater bucket & lift capacity
- The most attachments
- Unmated dependability



BHM FARM & LAWN EQUIP.

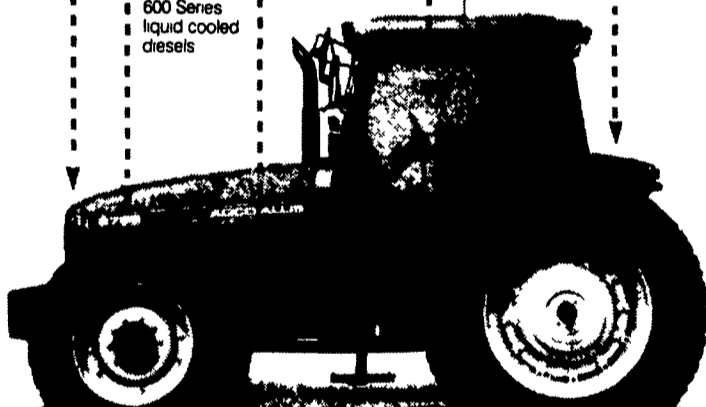
SALES - PARTS - SERVICE
 Route 934 - 2 Miles North of Annville, PA
 Telephone 717-867-2211

Great New Ideas.

- New Style
- Low profile styling for increased visibility
- New Transmission
- 4 speed powershift transmission with optional creeper
- New Controls
- Totally new design with Ultra-comfortable cab

- New Engine
- AGCO Allis 600 Series liquid cooled diesels

New Closed Center Hydraulic System
 Do more work in less time



Get One Going For You.

Introducing the new AGCO Allis 8775 and 8785. The 95 PTO hp 8775 and the 110 PTO hp 8785 are totally new inside and out. Come get a good look at one

In Stock Now
The New AGCO Allis
8785 4WD w/Cab
 Call For Special Price



Test Drive The New 8785 Now **Hurry!**

BHM FARM & LAWN EQUIP.

SALES - PARTS - SERVICE
 Route 934 - 2 Miles North of Annville, PA
 Telephone 717-867-2211

MASSEY-FERGUSON
 Where farmers' ideas take root

- MF 253, Excellent, 900 hrs.
- Ford 7610 4x4 Syncro
- Ford 545A tractor loader, 300 hours
- MF 10 baler
- NH 850 round baler
- Gehl CB 400 Harvester w/ 2 heads
- NH 790 Forage Harvester w/Heads
- Used 8' Snowblower
- NH L785 Skid Steer
- NH L565 Skid Steer, 600 Hrs
- JD 613 Rotary Cutter



**NEW HOLLAND
 SCHREFFLER
 EQUIPMENT**

Pitman, PA
 717-648-1120
 717-648-1811



We will repair or rebuild most brands of tractor engines, gas or diesel.

Reasonable rates, experienced mechanics.

MILLER'S REPAIR

1 mile North of Bird-In-Hand,
 8 miles east of Lancaster
 717-656-6109