

The East Central PA, Two-Cylinder Club, Inc.
Winners of the raffle at our fall show, Oct. 4, 1998

- John Deere B, Restored, H. Heagy, Lebanon, PA
- John Deere Pedal Tractor, Nathan Shearer, Mifflinburg, PA
- Two Cylinder Club Baskets, Rose Larrea, Allentown, PA
- Bed Spread, Omar Stoltzfus, Narvon, PA
- John Deere Model Tractor, Bruce Ritter, Barto, PA

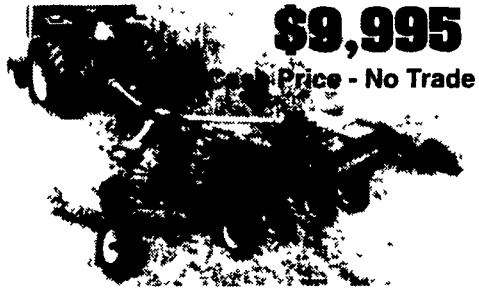
We wish to thank everybody that participated in our raffle

BUSH HOG
Building the Legend.

SPECIAL PRICES ON
BUSH HOG MOWERS & SCRAPER BLADES

BUSH HOG

2615 Legend Series
15 ft. Rotary Cutter



\$9,995

Price - No Trade

BUSH HOG LLR

84" Landscape Rake
\$699



Sales & Service

ROVENDALE AG & BARN EQUIP.

WATSONTOWN, PA 17777

717-538-9564 OR 717-742-4226

Exit 31, I-80 to I-180 Watsontown Exit
Hours Mon-Fri 8 to 5 Sat 8 to 12

FALL SPECIAL

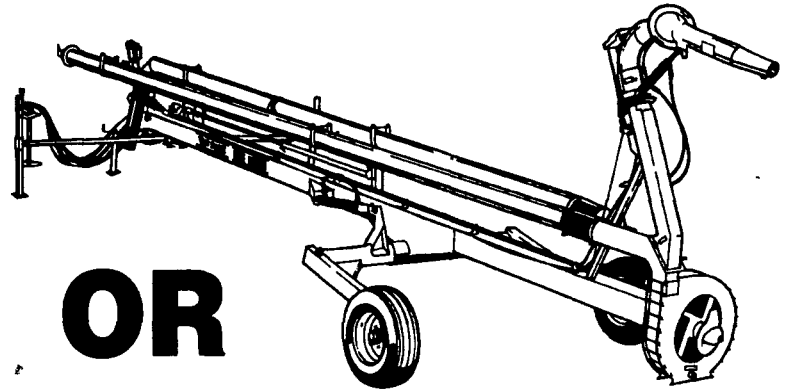
K & S INC.

1302 Lancaster Pike
Quarryville, PA 17566
717-284-3111

**ROVENDALE
AG & BARN EQUIP.**

Watsonstown, PA 17777
717-538-9564 or 717-742-4226

Now through
November 15, 1998,
make your
BEST DEAL with your
Waste Handler Dealer
and receive
CASH BACK



OR

**LOW
4.9%
LEASE
RATE**

**SPECIAL J-STAR
BUY-DOWN PROGRAM***

- **4.9%** Lease Rate FOR 24 MONTHS
- **6.9%** Lease Rate FOR 36 MONTHS
- **8.9%** Lease Rate FOR 48 MONTHS

\$500 CASH BACK

- (Slinger & Vacuum Tankers)
- 2,700 Gallon Tankers
 - 3,300 Gallon Tankers
 - 4,000 Gallon Truck Tanker
 - Lagoon Pumps

\$750 CASH BACK

- (Slinger Tankers)
- 4,100 Gallon Tankers
 - 4,600 Gallon Tankers
 - 5,600 Gallon Tanker

\$1,000 CASH BACK

- (Slinger Tankers)
- 6,100 Gallon Tankers
 - 7,200 Gallon Tankers

\$1,500 CASH BACK

- (Vacuum Tankers)
- Heavy Duty 4,000
 - Heavy Duty 5,500



WASTE HANDLERS™
by J-Star®

* Use advance payment plus 10% security deposit held as residual in advance.
10% deposit is the lease buyout at the end of the lease



BRANCH
Rts. 309 & 100
New Tripoli, PA
(610) 767-7611

Mon.-Fri. 7:30AM-5:00 PM
Sat. 7:30AM-12:30 PM

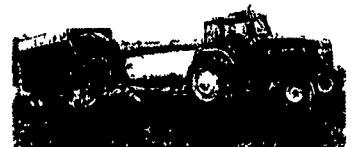
NEW IDEA



* 3 LOCATIONS *
Trumbauersville to Finland Rd.
Quakertown, PA
(215) 536-1935 or 536-7523
Mon.-Fri. Sales 7:30 AM-9 PM
Parts 7:30 AM-5PM
Sat. - Sales 7:30 AM-4 PM
Parts 7:30 AM-1PM

NEW HOLLAND

Model 224 silage cart, exc
Weaverline 330 rebuilt silage cart



BRANCH
Lobachsville, Oley, PA
(610) 987-6221 or 987-6257
Mon.-Fri. 7:30 AM-5:00PM
Sat. 7:30 AM-12:30PM

TRACTORS
AA 4660D, Like New
DA 6275D w/Loader
AC 8030 w/Cab, 4W
AC 7030D w/cab, excellent
MF 1155D
MF 205D
Case 930D
JD 1020
Ford 8700D w/Cab
IH 340D w/Loader
Oliver 550

COMBINES
AC F2 w/13' Grain & 4R Corn
Head
AC Gleaner FKS w/13' grain &
430 corn head
AC Gleaner K w/10' Grain & 238
Corn Heads
JD 6600 w/13' Grain&630 Corn
Head
JD 4400 w/13' Grain Head
AC 630 Corn Head for M&L

TILLAGE
AC 13' Transport Disc
(2) JD 5-B Plow
AC 2000 6-B Plow
Ford 5-B Plow
Ford 4-B Plow
JD 40 Loader
AC 500 Loader
JD 170 Skid Loader
NH L445 Skid Loader

BALERS
IH 445 w/thrower
NH 320 wire
Case 230 w/thrower
JD 336 wire
IH 27 w/thrower
NH 69
IH 46 w/thrower
NH 268
IH 46
JD 14
AC 443
NH 273

FORAGE HARVESTERS
Gehl 400 w/2 heads
Gehl 600 w/2 heads
Gehl 1200 w/2 heads
NH 717 w/2-row head
JD 35 w/2 heads
(2) Gehl 99 Blower
IH Harvester w/Pickup &
230 Corn Head

HAY TOOLS
NH 411 Discbine
Hesston 1091 Mower Cond
Hesston 1090 Mower Cond
NH 489 Haybine
AC 490 Mower Cond
NH 460 Haybine
(2) Hesston PTO 10 Mower Cond
(3) NH 479 Haybine
Hesston 1010 8' Mower Cond.
Hesston 1014 14' Mower Cond.
JD 1380 14' Mower Cond.
JD 1209 Mower Cond.



Used Combines - Ready to Roll

Selection of Small 2-Row and Up to the Big 6-Row Combines on Lot.

"What Size Do You Need?" Call Today And We'll Make A Deal.

Low Prices ** Low Finance ** Free Delivery Within 100 Miles

