

**Middleburg Livestock Auction**  
Middleburg, Pa.  
September 29, 1998  
Report Supplied By PDA

36.75, Boners 80-85% lean 29 00-33 50, Lean 85-90% lean 24.50-30 50 Shells down to 17.00.  
**BULLOCKS** few Select 1-3 41 50-46 25.  
**BULLS** few Yield Grade 1 1440-1585 lbs 41.00-43 00, few Yield Grade 2 885-1305 lbs 35.50-40.50.  
**FEEDER CATTLE: STEERS:** Medium and Large 1 300-470 lbs 55 00-61.00, 500-680 lbs 51 00-64.00, one lot at 66 50, Medium 2 445-650 lbs 40.00-50.00, 650-725 lbs 42.50-47 00, Large 2 340-610 lbs Holsteins 30 00-40 00, 765-1000 lbs 37.50-42.50, **HEIFERS** Medium and Large 1 265-475 lbs 45 00-56 00, Medium and Large 2 285-420 lbs 35 00-43 50, 540-650 lbs 32 00-39 00, **BULLS** Medium 1 350-525 lbs 45 00-58 00, one 955 lbs at 48 00, Medium and Large 2 330-490 lbs 37 00-44 00, 500-715 lbs 36 00-43 50  
**CALVES** 166 **VEALERS** few Good 130-160 lbs 32 00-52.00, Standard and Good 70-100 lbs 21.00-24 00, Utility

60-85 lbs 10.00-15.00. **FARM CALVES.** Holstein bulls steady with spots 5 00 lower. No 1 Holstein bulls 90-130 lbs 50 00-80.00, No 2 85-125 lbs 25 00-42 00 with a few up to 55 00, No 1 Holstein heifers 80-115 lbs 145 00-200.00, No 2 80-120 lbs 50 00-105 00  
**HOGS** 246 (9/28 & 29/98) Bulk of supply sold on Monday and supplied by the auction Barrows and gilts steady with spots to 5 00 lower **BARROWS AND GILTS:** 49-54% lean 230-265 lbs 27 00-28 75, with one lot at 29 50, 45-50% lean 225-270 lbs 24 75-26 50

**SOWS:** US 1-3 375-490 lbs 12 00-15 50, one 545 lbs at 19.00 **BOARS.** one 320 lbs 7 50  
**FEEDER PIGS** 197 US 1-3 25-35 lbs 3 00-9 00, 40-55 lbs 8 00-15 00, Utility 25-50 lbs 2 00-10 00 --- per head  
**SHEEP** 55 Slaughter lambs 5 00 lower **SLAUGHTER LAMBS** Choice

55-75 lbs 65 00-73 00, 80-110 lbs 52 00-66 00, Good and Choice 45-65 lbs 50.00-61 00. **SLAUGHTER SHEEP:** 26 00-35.00  
**GOATS** 39 Couple Large Billies 90 00 & 129 00, few Medium 34 00-56 00, Large Nannies 40.00-65 00, few Medium 31 00-40 00, Large Kids 30 00-47 00, Small 10 00-22 00 --- per head

**CATTLE** 421 [PDA] Compared with last week's sale, sl steers and heifers 2 00 lower, cows 2.00 to 3.00 lower  
**SLAUGHTER STEERS** couple High Choice and Prime 2-4 1160 & 1455 lbs 50 50 & 63 50, Choice 2-3 1100-1450 lbs 55 25-59 50 with a few down to 53 00, Select 1-3 52 00-57 00 with a few down to 50 00, Standard 1-2 40 00-51 50 **HOLSTEIN STEERS** couple High Choice and Prime 2-3 1320 & 1570 lbs 54 25-54 50, Choice 2-3 1115-1650 lbs 49 00-53 75, Select 1-2 45 00-49 00, Standard 1-2 35 00-43.75  
**HEIFERS** Choice 2-4 1100-1400 lbs 53 00-57 00 with a couple at 51 50, Select 1-3 52 50-55 00 with a few at 50 50, Standard 1-2 44 25-50 00  
**COWS** Breakers 75-80% lean 33 00-

**ZIMMERMAN MFG. CORP.**

125 King Court/  
Hollander Rd.  
New Holland, PA 17557  
(717) 354-9611

Contact Us For  
Literature Or  
The Dealer  
Nearest You!

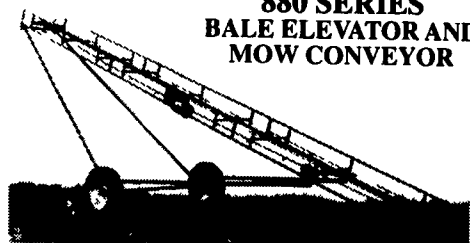
WELL BALANCED, RUGGEDLY BUILT FOR MANY YEARS OF TROUBLE FREE SERVICE

**380 SERIES PORTABLE ELEVATORS**

A Versatile Economical Elevator For Bales and Ear Corn



**880 SERIES BALE ELEVATOR AND MOW CONVEYOR**



**A Full Line Of Exhaust Fans**



Including Efficient Belt Drive Units With Housing & Shutter  
24", 30", 36", and 48"

Check our inventory of trailers currently in stock, ready to go.



TC SERIES

ZIMMERMAN CUSTOM BUILT UTILITY TRAILERS



RT SERIES



FRT SERIES

RT and FRT Series Trailers Available in 5000# thru 12,000# GVW  
We Also Build Other Models, Sizes, and Capacities. Call For Information

**Bunker Silo Poured Solid - Built To Last**  
Call now for prices.



You can load a ton a minute with loader.  
Feed faster. Less cost and maintenance with a bunker.

**Lancaster Poured Walls**

2001 Jarvis Rd. • Lancaster, PA 17601 • (717) 299-3974

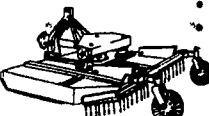
**KEY'S END OF SUMMER HICO TRACTOR EQUIPMENT SALE**

Special pricing on all this equipment. Delivery and financing available.  
You can't beat our deals. Prices good only on current inventory.

**Rotary Cutters**

**10' Heavy Duty Rotary Cutter**

- 150 HP Divider
- 100 HP Gear Box
- Laminated Rubber Tires
- Weighs approximately 2000 lbs
- 1/2 price of comparable models



**Three Point Hitch Rotary Cutter**

3 1/2'	\$465.99
4'	\$475.99
5'	\$489.99
6'	\$699.99
7'	\$1099.99

**Drag Behind Rotary Cutters**

For all those tractors without a three point hitch

5'	\$649.99
6'	\$749.99

Three Point Hitch	Now Just	\$2200.00
Drag Behind Mowers	Now Just	\$2700.00

**Three Point Hitch Tillers**

50"	\$849.99
57"	\$949.99
65"	\$999.99
72"	\$1099.99

**Three Point Hitch Rear Blades**

5'	\$169.99
6'	\$179.99
7'	\$199.99
8'	\$299.99

**Three Point Hitch Dirt Scoop**

24"	\$179.99
30"	\$249.99

**Rock Rakes**

4'	\$275.00
5'	\$300.00
6'	\$325.00
7'	\$350.00
8'	\$399.99

\*\* Gauge wheels \$150.00 extra

**Three Point Hitch Box Blades**

5'	\$349.99
6'	\$399.99
7'	\$499.99

**Three Point Hitch Fertilizer Spreader**

NEW	750 Lbs.
Now Just	\$399.99

**Three Point Hitch Plows**

12" Bottom	\$250.00
12" 2 Bottom	\$450.00
14" 2 Bottom	\$500.00

**Three Point Hitch Post Hole Drill**

6"	\$410.00
9"	\$425.00
12"	\$450.00
Extra Auger	
6"	\$80.00
9"	\$100.00
12"	\$110.00

**Three Point Hitch Boom Pole**

1000 lb. cap	\$150.00
--------------	----------

**Three Point Hitch Cultivator**

One Row	Now Just	\$180.00
---------	----------	----------

**Three Point Hitch Carry All**

Now Just	\$100.00
----------	----------

**Three Point Hitch Sub Soiler**

Now Just	\$125.00
----------	----------

**Tow Dollies**

One Row	Now Just	\$699.99
---------	----------	----------

**Minati Go Cart**

Need Something For The Kids!  
New in the box  
\$499.99  
U.P.S. Shippable

**Lawn Sweepers**

Special Purchase 30"  
Only \$100.00  
U.P.S. Shippable

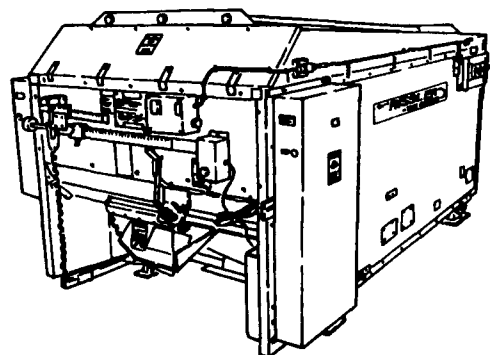
**10 REASONS WHY YOU NEED A RISSLER TMR MIXER**

1. Who Else Uses 3/16 And 1/4 Stainless Steel On Auger Troughs?
2. Who Else Uses Stainless Steel For The Floors As Standard?
3. Who Else Uses 1/10" Inside and .065 Outside High Density Poly Coated 1" Plywood For Their Mixing Box?
4. Who Else Uses 1/2" and 5/8" Stainless Steel Pins With Large Heads On Their Mixing Chains?
5. Who Else Uses Welded Steel Chains With 5/16" And 3/8" Side Bars?
6. Who Else Uses 3/8" and 1/2" Flighting On All of Their Augers?
7. Who Else Has A 10 YEAR Limited Warranty On Their Mixing Box?
8. Who Else Has Any Machines In Service For 15 Years With Very Little Repair And Maintenance Costs?
9. Who Else Builds A Mixer That Still Gives A Near Perfect Mix, Even With Worn Parts?
10. Who Else Builds A Mixer Complete With Safety Shut Off Cables And Contactor Prewired For Service?

Get the Picture?

**I.H. RISSLER TMR MIXERS**

- ★ Proven Rugged
- ★ Proven Efficient
- ★ Proven Economical



448 Orchard Road  
Mohnton, PA 19540  
717-484-0551

**I.H. RISSLER**™  
MANUFACTURING

**KEYS** Hazen, PA  
(814) 328-2222  
(814) 328-2904