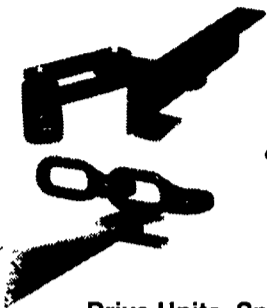


**6 DAIRY EQUIPMENT**



**BARN CLEANER REPLACEMENT CHAIN**



- for
- Jamesway
  - Berg • Patz
  - Farmway
  - Clay
  - Starline

Drive Units, Sprockets & Ramps Also Available

Rebuild your Piston Pump

Rebuild Kits for Piston Pumps Available

- J-Star
- Badger
- Jamesway
- Nesseth



**BIG SAVINGS**  
During Our Truckload Sale

Sales & Service  
**ROVENDALE AG & BARN EQUIP.**  
WATSONTOWN, PA 17777  
717-538-9564 OR 717-742-4226  
Exit 31, I-80 to I-180 Watstown Exit  
Hours: Mon.-Fri. 8 to 5 Sat. 8 to 12



**Musser's Refrigeration**  
127 Leacock Rd, Gordonville, PA 17529  
Corner of Peters Rd. & Leacock Rd.  
3 mi. South of New Holland  
(717) 355-0572  
if no answer (717) 354-6274  
Vernon Musser (proprietor)

maximum efficiency

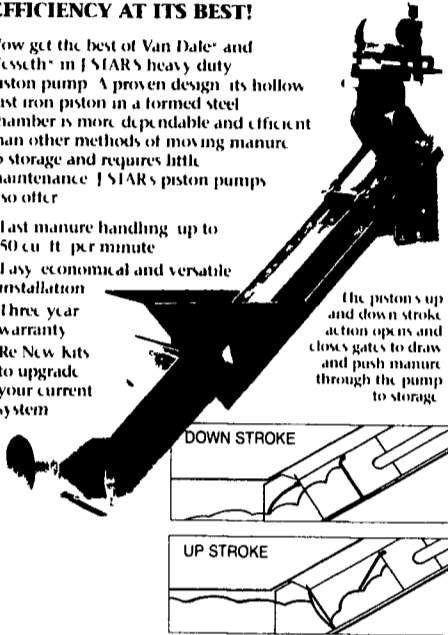
**Piston Pumps**



EFFICIENCY AT ITS BEST!

Now get the best of Van Dale and Nesseth in J-STAR's heavy duty piston pump. A proven design, its hollow cast iron piston in a formed steel chamber is more dependable and efficient than other methods of moving manure to storage and requires little maintenance. J-STAR's piston pumps also offer:

- Fast manure handling up to 50 cu ft per minute
- Easy, economical and versatile installation
- Three year warranty
- Re-New kits to upgrade your current system



For a trouble-free, low maintenance system that offers you maximum pumping power, look no further than the one name that says it all - J-STAR

**LAPP'S BARN EQUIPMENT, INC.**  
5935 OLD PHILADELPHIA PIKE  
GAP, PA 17527  
PHONE: 717-442-8134  
717-768-8301  
WE SERVICE WHAT WE SELL  
- Radio Dispatched Trucks -

WESTFALIA

Please call us for your used dairy equipment needs.

We Ship Parts Daily UPS 24 HOUR SERVICE

ON THE FARM ROUTE SERVICE

**Fisher & Thompson Inc.**

DAIRY & MILKING EQUIPMENT SALES & SERVICE

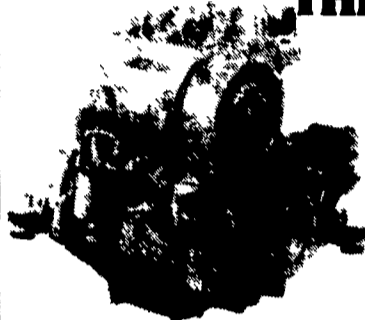
Four Locations

<b>MAIN OFFICE</b> 15 NEWPORT RD LEOLA, PA 17540 717-656-3307	<b>CHAMBERBURG SERVICE CENTER</b> 5455 BIKLE RD CHAMBERSBURG, PA 17201 717-352-7606	<b>MIFFLINBURG SALES CENTER</b> RD 2 BOX 265 WABASH RD MIFFLINBURG, PA 17844 717-966-3900	<b>NORTHERN SERVICE CENTER</b> 3450 S MAIN ST BELLEVILLE, PA 17004 717-935-7422
--	--	---	--

Open Saturday 8 a.m. - Noon

WESTFALIA

**THE LEGEND LIVES**



- Durable And Reliable - Engine Life Routinely Exceeds 20,000 Hrs
- Lower Fuel Consumption
- Exceeds All Pending Exhaust Emission Requirements
- Genuine Bosch Injection Equip.

Air Cooled And Water Cooled Engines In All Horse Power Ranges For A True Heavy Duty Diesel Without The Heavy Duty Price Tag, Call Today Used Deutz power units available

**RUFUS BRUBAKER REFRIGERATION & POWER**  
76 Pumping Station Rd. Quarryville, Pa 17566  
717-786-1617  
24 Hr. Emergency Service Available

A 1st Class Team Together For 30 Years!

**RUFUS BRUBAKER REFRIGERATION**

And...



**MUELLER'S NEWEST ADDITION...**

to its milk cooling product line is the Energy Star, an out-of-this-World, high-efficiency refrigeration unit powered by a, reliable Copeland-Compliant Scroll. Contact one of our three locations

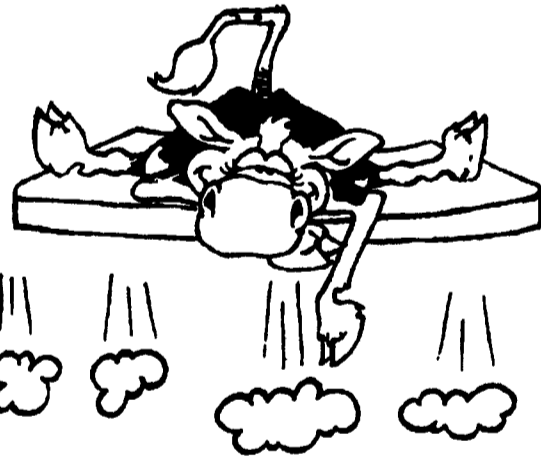


**Southern Service Center**  
76 Pumping Station Rd.  
Quarryville, Pa.  
717-786-1617  
Vic Leininger

**MAIN OFFICE**  
1048 North Penryn Rd.  
Manheim, Pa. 17545  
717-665-3525  
Ken or Ed Brubaker

**Northern Service Center**  
541 Frystown Rd.  
Myerstown, Pa.  
717-933-4711  
Ken Kopp

★ Call Today For All Your New or Used Milk Tank And Refrigeration Equipment Needs!



**Mighty Lite™ Dairy Mat**

- A written 5 Year Warranty that protects you even against wear & tear
- USDA approved as hygienic, suitable even for quarantine floors
- Non-abrasive surfacing to protect teats and udders
- Non-absorbent closed cell foam does not support bacterial growth

Proven in Europe for 11 years and in the USA for 3 years

Far softer than hard rubber... far cleaner than mattresses... far easier to manage and handle than both.

**Silo-Matic** **HANSON** **Badger**  
**Show-Ease Stall Co.**  
573 Willow Road, Lancaster, Pa 17601  
PHONE: (717) 299-2536  
FAX: 717-299-1074

