

Duroc Boar, Spot Gilt Supreme

(Continued from Page A1)

each breed class in the swine show follow:

BERKSHIRE

JANUARY BOAR 1 Innerst's Berkshires, 2 Arie Cornbower, 3 Alan Ray
 FEBRUARY BOAR 1 Innerst's Berkshires, 2 Innerst's Berkshires 3 Arie Cornbower
 MARCH BOAR 1 Arie Cornbower, 2 Innerst's Berkshires, 3 James Martin
 APRIL BOAR 1 James Martin, 2 Innerst's Berkshire, 3 Innerst's Berkshires
 GRAND CHAMPION BOAR Arie Cornbower
 RESERVE GRAND CHAMPION BOAR Innerst's Berkshires
 MATURE AND YEARLING SOW 1 Innerst's Berkshires, 2 Innerst's Berkshires, 3 James Martin
 WINTER GILT 1 Innerst's Berkshires, 2 Innerst's Berkshires

JANUARY GILT Innerst's Berkshires, 2 Arie Cornbower, 3 Alan Ray
 EARLY FEBRUARY GILT 1 James Martin, 2 James Martin, 3 Arie Cornbower
 LATE FEBRUARY - EARLY MARCH GILT 1 Abby Johnson, 2 Abby Johnson, 3 Arie Cornbower
 LATE MARCH GILT 1 Innerst's Berkshires, 2 Arie Cornbower, 3 Arie Cornbower
 APRIL GILT 1 Innerst's Berkshires, 2 James Martin, 3 Innerst's Berkshires
 GRAND CHAMPION FEMALE Abby Johnson
 RESERVE GRAND CHAMPION FEMALE Abby Johnson
 RESERVE GRAND CHAMPION FEMALE Innerst's Berkshires
 PAIR OF GILTS 1 Innerst's Berkshires, Abby Johnson, 3 James Martin
 BREEDER-FEEDER LITTER 1 Arie Cornbower, 2 James Martin, 3 Innerst's Berkshires
 BARROWS, LIGHTWEIGHT 1 Abby Johnson, 2 Innerst's Berkshires, 3 Arie Cornbower

PAIR OF BARROWS, LIGHTWEIGHT Innerst's Berkshires, 2 James Martin
 BARROWS, HEAVYWEIGHT 1 Abby Johnson, 2 James Martin, 3 Innerst's Berkshires
 PAIR OF BARROWS, HEAVYWEIGHT 1 Abby

Johnson, Innerst's Berkshires, 3 James Martin
 GRAND CHAMPION BARROW Abby Johnson
 RESERVE GRAND CHAMPION BARROW Abby Johnson
 RESERVE GRAND CHAMPION PAIR OF BARROWS Innerst's Berkshires
 CHAMPION ELECTRONIC CARCASS BARROW Innerst's Berkshires

HAMPSHIRE

JANUARY BOAR 1 Leager Farms, 2 Jamie Nicole Openshaw, 3 Seneca Ayr Farms
 FEBRUARY BOAR 1 Holloway Genetics, 2 Adrian Brown, 3 Seneca Ayr Farms
 MARCH BOAR 1 Leager Farms, 2 Seneca Ayr Farms, 3 Hickory Hollow Farms
 APRIL BOAR 1 Jamie Nicole Openshaw, 2 Seneca Ayr Farms, 3 Seneca Ayr Farms
 GRAND CHAMPION BOAR Holloway Genetics
 RESERVE GRAND CHAMPION BOAR Adrian Brown
 MATURE AND YEARLING SOW 1 Seneca Ayr Farms, 2 Seneca Ayr Farms
 WINTER GILT 1 Bud Strohmmer, 2 Rebecca Ensor

JANUARY GILT 1 Rural Rhythm Farm, 2 Jamie Nicole Openshaw, 3 Jamie Nicole Openshaw
 EARLY FEBRUARY GILT 1 Leager Farms, 2 Jamie Nicole Openshaw, 3 Adnan Brown
 LATE FEBRUARY - EARLY MARCH GILT 1 Dream Catcher rdge, 2 Holloway genetics, 3 Adnan Brown

LATE MARCH GILT 1 Seneca Ayr Farms, 2 Seneca Ayr Farms, 3 Hickory Hollow Farms
 APRIL GILT 1 Jamie Nicole Openshaw, 2 Rural Rhythm Farm, 3 Jamie Nicole Openshaw
 GRAND CHAMPION FEMALE 1 Dream Catcher Ridge
 RESERVE GRAND CHAMPION FEMALE Rural Rhythm Farm

PAIR OF GILTS 1 Leager Farms, w Holloway Genetics, 3 Leager Farms
 BREEDER-FEEDER-LITTER 1 Jamie Nicole Openshaw, 2 Hickory Hollow Farms, 3 Seneca Ayr Farms
 BARROWS, LIGHTWEIGHT 1 Innerst's Berkshires, 2 Jamie Nicole Openshaw, 3 Adnan Brown

PAIR OF BARROWS, LIGHTWEIGHT 1 Hickory Hollow Farms, 2 Bud Strohmmer, 3 Seneca Ayr farms
 BARROWS, HEAVYWEIGHT 1 Bud Strohmmer, 2 Hickory Hollow Farms, 3 Jamie Nicole Openshaw

PAIR OF BARROWS, HEAVYWEIGHT 1 Jamie Nicole Openshaw, 2 Bud Strohmmer, 3 Seneca Ayr Farms
 GRAND CHAMPION BARROW Innerst's Berkshires



The supreme champion female is this February Spot gilt shown by Ricky Bauer, Rural Rhythm Farm, Dayton, Maryland.



The supreme champion electronic carcass barrow shown by Lane Innerst, is owned by Innerst's Berkshires, Red Lion.

RESERVE GRAND CHAMPION BARROW Bud Strohmmer
 GRAND CHAMPION PAIR OF BARROWS Jamie Nicole Openshaw
 RESERVE GRAND CHAMPION PAIR OF BARROWS Bud Strohmmer
 CHAMPION ELECTRONIC CARCASS BARROW Innerst's Berkshires

DUROC

JANUARY BOAR 1 KC Farms, 2 High View Farms, 3 Keith Martin
 FEBRUARY BOAR 1 Rodger Bankert, 2 Rodger Bankert, 3 KC Farms
 MARCH BOAR 1 Holloway Genetics, 2 KC Farms, 3 Keith Martin
 APRIL BOAR 1 Rodger Bankert, 2 Keith Martin, 3 Rural Rhythm Farm
 GRAND CHAMPION BOAR Holloway Genetics
 RESERVE GRAND CHAMPION BOAR Rodger Bankert
 MATURE AND YEARLING SOW 1 KC Farms, 2 Rural Rhythm farm, 3 KD Farms
 WINTER GILT 1 Rural Rhythm Farm, 2 Rural Rhythm Farm
 JANUARY GILT 1 Rodger Bankert 2 KC farms, 3 Keith Martin
 EARLY FEBRUARY GILT 1 KC farms 2 Rural

Rhythm Farm, 3 Rodger Bankert
 LATE FEBRUARY - EARLY MARCH GILT 1 KC Farms, 2 Rodger Bankert, 3 Nick Harrison
 LATE MARCH GILT 1 Holloway genetics and Buffalo Valley Farm, 2 Holloway genetics and Buffalo Valley Farm, 3 KC Farms
 APRIL GILT 1 KC Farms, 2 KC Farms, 3 Rural Rhythm Farm
 GRAND CHAMPION FEMALE Holloway Genetics and Buffalo Valley Farm
 RESERVE GRAND CHAMPION FEMALE, KC Farms
 PAIR OF GILTS 1 Holloway Genetics, 2 KC Farms, 3 Rodger Bankert
 BREEDER-FEEDER LITTER 1 KC Farms 2 Keith Martin, 3 Rodger Bankert,
 BARROWS, LIGHTWEIGHT 1 Rodger Bankert, 2 Keith Martin, 3 Rural Rhythm Farm
 PAIR OF BARROWS, LIGHTWEIGHT 1 Rodger Bankert, 2 Keith Martin
 BARROWS, HEAVYWEIGHT 1 KC Farms, 2 KC Farms, 3 Keith Martin
 PAIR OF BARROWS, HEAVYWEIGHT 1 KC Farms
 GRAND CHAMPION BARROW KC Farms
 RESERVE GRAND CHAMPION BARROWS KC Farms

(Turn to Page A31)

**MILK.
 IT DOES A
 BODY GOOD.**

WATERLESS TOILETS

"SUN-MAR" Composting Toilets

Several models available including non-electric.
 • NO Septic System
 • NO Chemicals

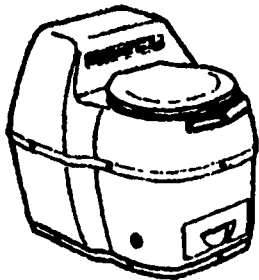
Save the Environment!
 Recycle Back to Nature!

FREE:

12 Page Color Catalog

We Reclaim Failing Septic Systems
 Guaranteed Results!

ECO-TECH Call Today 1-800-879-0973



INVITATION TO BIDDERS

The Dauphin County Conservation District is requesting bids on behalf of a farmer for an Agricultural Waste Storage System, funded in part by the Chesapeake Bay Program. The project is located in Londonderry Township, Dauphin County. Project consists of roofing an existing paved barnyard, and is to be completed in the Fall of 1998.

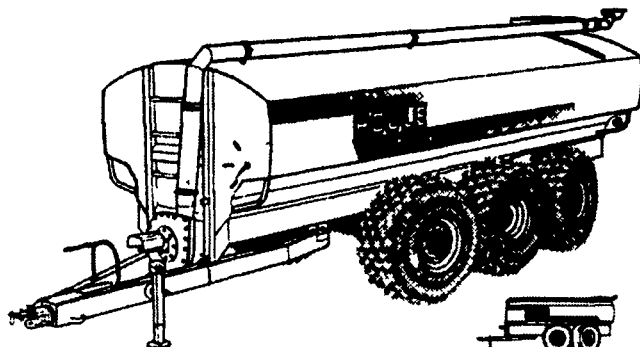
Site showing and bidding information will be provided upon request. All requests should be made by October 5, 1998. Small and minority businesses and women's business enterprises will be encouraged to respond to this invitation for bids.

To obtain a bid package or for more information contact.

**DAUPHIN COUNTY
 CONSERVATION DISTRICT**
 1451 Peters Mountain Road
 Dauphin, PA 17018
 Telephone (717) 921-8100

LIQUID MANURE SPREADER

WITH FLOTATION TIRES TO MINIMIZE SOIL COMPACTION
 Available with complete line of spreading tool bars and precise flow control to spread manure the ecological way eliminating spray drift and reducing odors. Our tool bars are designed to apply hog or dairy manure on growing fields, between rows of corn or on harvested fields.



4-6 OR 8 WHEEL SPREADERS WITH POWER STEERING-3650 TO 9500 US GAL.

SPREADERS WITH SINGLE AXLE OR TANDEM-2350 TO 6000 US GAL.

- "V" shape bottom for more complete clean out.
- Standard exterior finish: epoxy primer and urethane paint.
- Low profile tank for maximum visibility and stability.

HOULE Spreaders & Pumps
 In Stock for Immediate Delivery
 & Rental Units Available

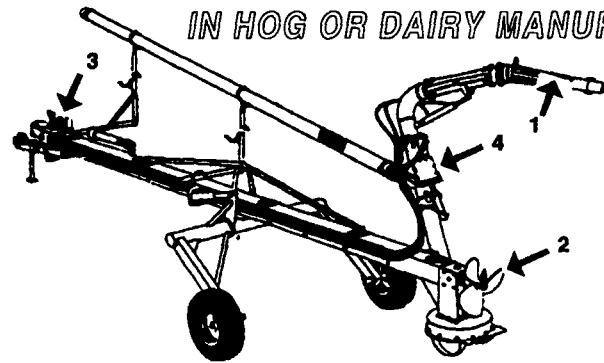
HOULE

TRAIL

AGI-POMPE

32' and 42' for Lagoons

GREAT PERFORMANCE
 IN HOG OR DAIRY MANURE



- 1-Highly articulated nozzle designed to slice and break the top crust from above the manure level as the propeller homogenises the liquid with the remaining floating chunks.
- 2-24" dia. mixing propeller providing full time agitation up to 21,500 US G.P.M. even when loading a spreader.
- 3-Hydraulic controls can be operated from tractor seat.
- 4-Rotative directional valve designed to be operated at low R.P.M. without stopping the P.T.O.

Gear box oil bath protected by a greasable 3 seals mechanism on each shaft.

AVAILABLE WITH MULTIPURPOSE OPTION TO ALSO CLIMB INTO CONCRETE PITS UP TO 14' DEEP.

Rent the **HOULE**
 Steering Axle Spreader



Cedar Crest Equipment

Two Convenient Locations

608 Evergreen Rd.
 Lebanon, PA 17042
 (717)270-6600
 1-800-646-6601

RD 2 Box 271
 East Earl, PA 17519
 (717)354-0584