



MARKLIFT
Man lift, new paint, 4x4 diesel
\$13,900
717/529-2512
No Sunday Calls

FOR SALE: 1986 Chevy Dump, C-70; Tri-Axle Tag-A-Long; 450 JD Track-Loader. (717)249-6069.

Forklift Wholesalers 2000 to 92000 Lb. Lifts Available. 70 in Stock. Sale-Rental-Finance w/ Warranty. Chalk Equipment. (410)686-6800.

HD11B Fiat Allis dozer, full all season cab, power shift, tilt blade, owner/operator machine, \$15,000. 717-754-3009 leave message

IH Tractor model 3444 w/ Front End Bucket, w/ Backhoe. Good Running Condition. Ideal for Do-It-Yourself Projects! \$7,500. (717)867-1681

INT. 125-C Crawler Loader 4&1 Bucket, Runs Good. Poor U/C \$2,800.; 1985 10/Ton Tag-A-Long Trailer A/Brakes, \$3,200. (610)323-2952.



Lull High Lift
4x4, Gas, Lifts 33'
\$5,500
717-285-5544

USED & NEW PARTS PRICED RIGHT

DISMANTLING

Cat	IHC	Galion
Case	Michigan	Wabco
John Deere	Hough	Dynahoe
Trojan	Terex	Koehring
Drott	Hein Werner & Others	AC/Fiat Allis

Dismantling Over 650 Machines For Parts
NATIONWIDE PARTS LOCATING SERVICE

In addition to our own large inventory, we have two computerized parts locator services nationwide & Canada, ready to serve you. In less than a minute over 600 used & new parts & equipment suppliers will receive your parts request. Parts are located easily & at substantial savings. Try Our Services.
Save \$\$\$ Parts Shipped Anywhere Direct To You.
All Parts Guaranteed
"We Return All Phone Calls"

BALANDA EQUIPMENT, INC.
P.O. Box 407 • Route 29 • Palm, PA 18070
Phone: (215) 679-3900 • Fax: (215) 679-8727
TOLL FREE: 1-800-322-8030



John Deere 755, Crawler Loader, EROPS, 4-1 Bucket
\$15,000

Heavy Equipment Loader Parts, Inc.
10070 Allentown Blvd, Grantville, PA 17028
(717) 469-0039 (800) 446-0505

FORKLIFTS
2,000 TO 15,000 LB.
\$2,000 & upwards
GAS/LP-DIESEL-ELECTRIC
Cushion-Pneumatic-Rough Terrain
New Komatsu Forklifts Available
PA INDUSTRIAL EQUIPMENT
(610) 369-9778



John Deere 400, Wheel Loader Backhoe, \$6,500

Heavy Equipment Loader Parts, Inc.
10070 Allentown Blvd, Grantville, PA 17028
(717) 469-0039 (800) 446-0505



40' Marklift, Gas or LP **\$5,200**
717/529-2512 No Sunday Calls



JD 450G Crawler Tractor, 6-Way Blade, Very Good UC **\$32,000**



Komatsu PC28 Mini Excavator, Excellent Rubber Tracks, Side Shift Boom, Back-Fill Blade, 1200 Hrs **\$11,500**



JD 644G, Rubber Tire Loader, 94 Model **Call**



Case 680L 4x4, Cab, Ext Hoe, 2800 1-Owner, Hrs, New Rubber. **\$29,500**



Lull 844 Deutz Dsl., Mast, Stabilizers, 8000 Lb Cap **\$26,000**



JD 450C Crawler Loader w/Backhoe, Very Good U C, New Paint **\$16,500**



'83 Komatsu D31A-17 CT, 6-Way Blade, **\$17,500**



Hitachi EX60 Excavator, 3300 Hrs **\$16,500**



JCB 1550 Cab 4x4, 4000 1-owner hrs **\$19,000**

Jay Weaver
717/336-7375
Financing and Lease Purchase Available
No Sunday Calls



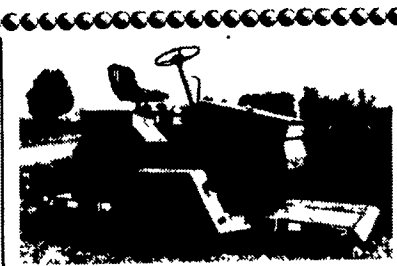
International TD340, Crawler Loader, with Ripper, 4-1 Bucket, New Chain
\$5,500

Heavy Equipment Loader Parts, Inc.
10070 Allentown Blvd, Grantville, PA 17028
(717) 469-0039 (800) 446-0505

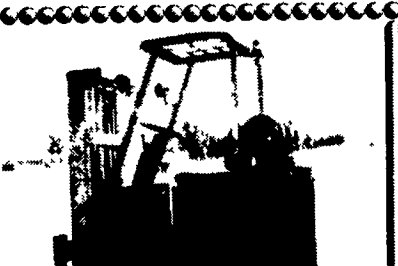
- 0001 1990 Case 580K, ROPS, Ext Hoe, 4WD, 3500 Hrs. \$24,900
 - 0002 Case 1080B Excavator. \$21,900
 - 5785 Case 850D Dozer. \$37,900
 - 5721 1993 Case 590, cab, ext. hoe, 4wd \$41,500
 - 5549 Case 450 Dozer, 6 Way Blade . \$10,500
 - 5265 1987 Case 580K, Loader Backhoe, 2wd cab ex, 5388 hrs . \$21,500
 - 5544 1988 Case 580K, Loader Backhoe, 2wd cab ext, 3500 hrs. . . . \$23,500
 - 5490 1992 Case 580K, Loader Backhoe, 4wd cab ex, 5700 hrs. . . . \$32,500
 - 5182 1989 Case 1845C, Unloader, Aux hyds ut bkt, 475 hrs (+2100). \$12,500
- 8x16 Office Trailer, AC, Excellent Condition... ..\$3,250

Vernon E. Stup Co.
5859 Urbana Pike Frederick, Md. 21701
301-663-3185

- JD 440 log skidder, 16-9-30 rubber, good condition, \$7,500. (717)768-8647.
- Large capacity belt sander with sliding table and edge sander, hydraulic motor, \$1,100. (610)273-7630.
- Melroe Bobcat 2410, articulated wheel loader, 74hp, Perkins diesel, \$16,995. Case 580 extend-a-hoe backhoe, cab, heat, \$13,995. **HISTAND'S EQUIPMENT** 215-348-9041
- Pettibone gas forklift, hi-lift, lifts 6,000 lb. 30', 4x4, \$8,800. (814)467-8839.




1,500 lb. General Roller, gasoline powered w/water system, 3000 lb. tilt trailer Both **\$2,250**



AC 3000 lb. Forklift LP, PS, Auto, Triple freelif mast. **\$2,900**

FORKLIFT
Hyster 3000 Lb. Air Tires, Propane Fuel, Good Inside/Outside
\$3500
717/657-1316



Toyota 9000 lb. Forklift, Gas, Auto, PS, Pneumatic tires, Two stage mast 48" forks, 90% rubber **\$6,500**

LTM Equipment Co.
Myerstown, PA
717/949-3582
717/949-3303 FAX
We buy sell and repair used equipment.
Most Trade Accepted.



Cat IT 18B w/Rockland Log Forks w/Thumb, Material Bucket, New Pant **\$39,500**



Komatsu D66S, Both Good Running Condition, Job Ready
Starting at **\$29,500**



93 Cat 416B 4x4, Ext Hoe, New Rubber **\$33,000**



93 Ford 555D, ROPS, Low Hours **\$20,000**



Case 450C Dozer, 6-Way Blade, 1-Owner Machine, 1500 Original Hrs, Excellent **\$24,500**



Galion T500A Motor Grader, EROPS, Good Running Condition **\$9,000**



(2) Bobcat 743 Skid Loaders Starting at **\$9,000**



JD 450C w/B **SOLD** pod UC **\$16,900**



Allied Hopac 8700C Plate Compactor, Like New **\$4,000**

LIFT EQUIPMENT

- (2) GSI 20', Electric **\$2,800 Ea.**
- 92 Ingersoll Rand 706F Rough Terrain Forklift, 6000 lb, 22' 4x4 Cummins Diesel **\$22,000.**
- JCB 525B, 5,500 Lb., 22' Reach **\$22,000**



'93 Cat E70B Excavator. Good UC 3000 Hrs Exc Condition **\$25,000**

Weaver's Equipment Sales
RD#1, Box 418, Milton, Pa. 17847
Phone: 717-523-9598