

DELUXE PICKUP SEATS

- ★ American Made
- ★ Fold Down Center Console
- ★ Luxurious Fabrics
- ★ Full Size Trucks

\$344⁰⁰
 FOB FACTORY
 Other Styles and Sizes to Fit Mini Pickups and Vans Available \$464-\$600
 Call for Color Catalog & Fabric Swatches



Emerson Seating PO BOX 283
 Hyattsville, MD 20781
1-301-864-1079



85 IVECO 340, Diesel, 144,000 Mi., 18,900 Wt., 140 HP, Good Tires, Cab to Axle 125", Need Body Work \$1,600.

York Co. Ph. 717-244-8702



92 UD 1800 Truck, Diesel, 56,000 Mi., 17,640 Wt., 210 HP Good Tires, Cab To Axle 112" \$12,300.

York Co. Ph. 717-244-8702

Myers forage wagon, 10-ton running gear, low sides, \$2000.
 410-275-2605

S Series Int. rollback, new tires, 80,000 miles, gas engine, looks & runs good, \$6900. 717/336-7375 No Sunday Calls.

WANT 17 1/2' steel dump body, complete. (215)357-1123.

WINROSS TRUCKS! Special limited editions, Penna. Quality Eggs Ford Conventional/Tanker or Big Dutchman, cabover/dry van. \$43/ea. postpaid. Mastercard or Visa. 717-393-5807

FOR SALE



1996 International 4700 L.P. Truck with DT 466E Engine w/Cruise Control, 2 Air Ride Seats, Power Windows with 20 Ft. Aluminum Roll Back Bed w/Removable Side Panels, Bed Air Ride Suspension, Rest Rite Sleeper, Rear Car Carrier's Lift, Two 50 Gal. Fuel Tanks, 4 Ft. Alum. Side Mount Tool Box
Call 717-626-1151




1990 Chevy 1 Ton 350, AT, AC, 87,000 Mi., 17' Landoll Alum. Rollback, Excellent Cond.
Call Scott (908) 782-7658



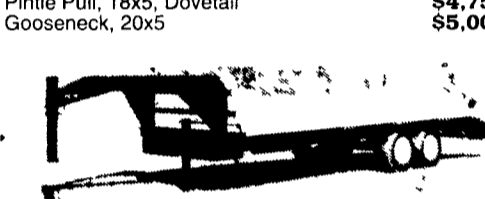
81 International w/20' Rollback, Tow Bar, Lights, 80,000 Miles, New Tires \$6,900
717/336-7375
 No Sunday Calls

Appalachian Manufacturing, Inc.

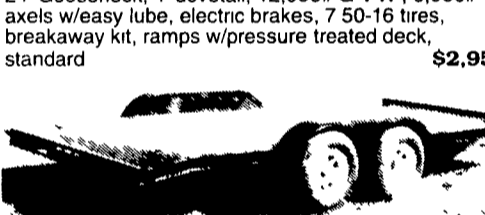
330-222-2468



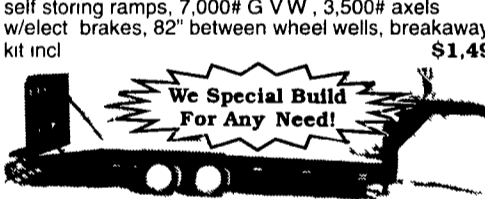
20,000# G V W Oil Bath Axle
10K Dual Tandem Trailers - Spring Assist Ramps Pintle Pull, 18x5, Dovetail Gooseneck, 20x5 \$4,750 \$5,000



24' Gooseneck, 4' dovetail, 12,000# G V W, 6,000# axels w/easy lube, electric brakes, 7 50-16 tires, breakaway kit, ramps w/pressure treated deck, standard \$2,950



16' Car Hauler, diamond plate deck with W/D rings, self storing ramps, 7,000# G V W, 3,500# axels w/elect brakes, 82" between wheel wells, breakaway kit incl \$1,495



21' Low Profile, 10,000#, axel w/easy lube, elect brakes, pressure treated deck, 10,000# G V W gooseneck Bumper pull \$3,100 \$2,950

We Special Build For Any Need!

97 Ford F 150 XL Black 4 2 V6 5 spd. AM/FM/Cass AC Airbags 56 973 Mi **\$11,800**

96 Dodge Dakota SLT 4x4, Ext Cab Magnum Black/Gray V8 AT AM/FM/Cass AC PW, PL CC Tilt Airbag 43 585 Mi **\$16,900**

96 Ford E-150 Cargo Van White 300 6 cl AT, AM/FM/Cass AC ABS 66,690 Mi **\$11,900**

96 Chevy Astro AWD 8 pass Vortec, Blue 4 3, V 6, AT, AM/FM/Cass AC, PW PL CC, Tilt, Airbags 72 057 Mi **\$12,600**

95 GMC Safari SLE AWD 8 pass Vortec Maroon V6 AT AC, PW, PL, CC Tilt, Dual Heat, AM/FM/CD 61 063 Mi **\$12,900**

94 Chevy S-10 LS, Black 4 cyl, 5 spd, AM/FM/Cass CC, Tilt 76,090 Mi **\$5,900**

93 Suzuki Sidekick JX, 4 dr, 4x4, White 16v, 4 cl, AT, AM/FM/Cass, 37,616 Mi **\$8,900**

93 Jeep Wrangler 4x4, Softop, Teal, 4 0 6 cl., AT, Tilt Western/Power-Angle/Plow, 84,103 Mi **\$9,600**


93 Dodge Caravan Sport, 7 pass, Black, V6, AT, AM/FM/Cass AC PL CC, Tilt, Airbag, 72 306 Mi **\$6,900**

93 Ford Aerostar XLT, 7 pass, Black, V6, AT, AM/FM/Cass AC, PW PL, CC, Tilt, Airbag, 73,595 Mi **\$5,900**

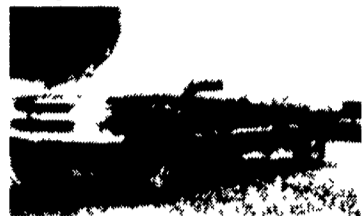
91 Jeep Cherokee Laredo 4 Dr., 4x4, White, 4 0 6 Cl., AT, AM/FM/Cass, AC, PW PL, CC, Tilt, Pwr Seats, 115 804 Mi **\$6,600**

Brubaker's Auto Sales
 Myerstown, PA
 717-866-5237

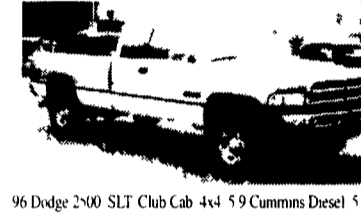
USED TRUCKS



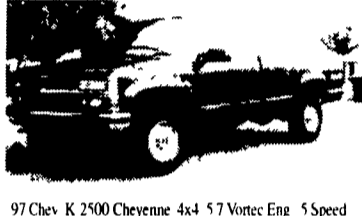
95 GMC SL 2500 Ext Cab 350FI Eng AT AC AM FM Sliding Rear Window 373 Limited Slip Rear 8600 GVW 67,000 Miles Sandstone **\$14,900**



96 Chev Cheyenne 2500 Ext Cab 4x4 6 5 Turbo Diesel 5 Spd AC AM-FM Sliding Rear Window 8600 GVW 373 Limited Slip Rear 50,000 Miles Teal Green **\$21,700**



96 Dodge 2500 SLT Club Cab 4x4 5.9 Cummins Diesel 5 Spd AC PWDS PDLs AM FM Cass P Seat P Mirros Sliding Rear Window 8800 GVW 410 Limited Slip Rear 44,000 Miles White & Silver **\$24,900**



97 Chev K 2500 Cheyenne 4x4 5.7 Vortec Eng 5 Speed AC AM FM Tape Cruise Tilt Sliding Rear Window 8600 GVW 410 Limited Slip Rear Black 24,000 Miles **\$19,800**

MARTIN'S AUTO SALES

1025 W. Main St. New Holland, PA 17557
(717) 656-6621



1996 Ford E150 Club Wagon XLT, 8 Passenger 302 V8, AT/OD, Dual A/C & Heat, Privacy Glass, Tilt, Cruise, PW, PL, 38 K Mi #2726

3 Available



(1) 1997 Ford E250 Super, (1) 1997 Ford E250, 5 4 V8, AT/OD, A/C, Power Steering, 20K-40K Miles

2 Available



1997 Ford E150 Club Wagon XLT, 8 Passenger, 4 6 Triton V8, AT/OD, Dual A/C & Heat, Privacy Glass, Tilt, Cruise, PW, PL, 26-28 K Mi

3 Available



1997, 1996 Ford E150 Chateaus, 7 Pass, 5 4/351 V8, AT/OD, Dual A/C & Heat, Privacy Glass, Tilt, Cruise, PW, PL, P Seat, 22K-65K Miles

2 Available



96 Ford E250 Cargo, 351 V8, AT/OD A/C, w/Prochem Bruin II Mobil Cleaning Unit Call For Details 55K Mi #2746

6.5 Turbo Diesel



1998 Chevy G2500 Express LS, 12 Pass, 6 5 Turbo Diesel, AT/OD, Dual A/C & Heat, Privacy Glass, Tilt, Cruise, PW, PL, 5K Mi, #2684



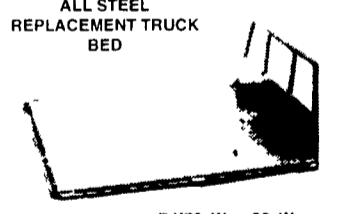
97 Ford E350 Super 5 4 Triton V8, AT/OD, Dual AC & Heat, Privacy Glass, Tilt, Cruise, PW, PL, Wheelchair Van, Lowered Floor, Raised Roof, Ricon Wheel Chair Lift & Power Swing Doors 718 Mi #2720



1997 Chevy G2500 Express, 8 Pass, 5700 Vortec V8, AT/OD, Dual A/C & Heat, Privacy Glass, Tilt, Cruise, PW, PL, P Mirror, P Seat, CD, 21K Mi, #2731

Specializing In Vans
3/4 Four Way
Auto Sales
 770 W Main New Holland, PA 17557
 717-354 3199 • 717-355-0625 FAX
Toll Free 1-888-847-8029
 Many Other Vans In Stock

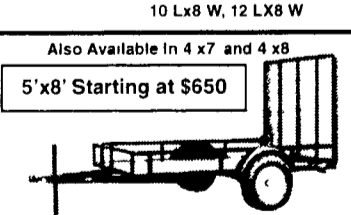
ALL STEEL REPLACEMENT TRUCK BED



7 X70 W or 80 W
 8 1/2 Lx80 W or 90 W
 10 Lx8 W, 12 LX8 W

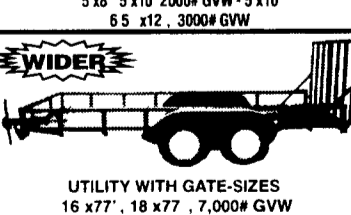
Also Available In 4 x7 and 4 x8

5'x8' Starting at \$650




UTILITY (TILT OR GATE MODEL) SIZES
 5 x8 5x10 2000# GVW - 5x10
 6 5 x12, 3000# GVW

WIDER



UTILITY WITH GATE-SIZES
 16 x77', 18 x77', 7,000# GVW

ALSO 84" WIDE!



CAR HAULER TRAILER
 16 x78 & 18'x78" includes 5 Beavertail
 7,000 lb GVW 4' self storing ramps

Quality Trailers Built Locally By "PA International"



Car Dollie
 Sale \$795

24' 10 Ton Dually Trailer w/Air Brakes \$7,500

'92 Ford Super Duty XLT w/12' Flatbed \$14,900


Used 19' 15 Ton Tri-Axle Trailer \$1,995

1990 FORD Conversion Van

Over 300 Trailers In Stock
 Starting At \$475.00
 T-Plates
 DEALERS WANTED

VISA MasterCard Discover

Highway Hydraulic Dump

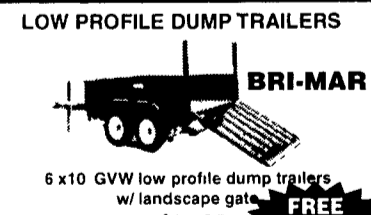


BRI-MAR

5 x8, 3000# \$2,150
 5 x8, 5000# \$2,495
 6 x10, 7,000# \$3,195
 6 x10, 10,000# \$3,495
 7 x12, 10,000# \$3,995

FREE BATTERY

LOW PROFILE DUMP TRAILERS



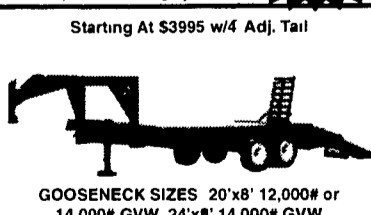
BRI-MAR

6 x10 GVW low profile dump trailers w/landscape gate

7,000# \$3,495
 10,000# \$3,895

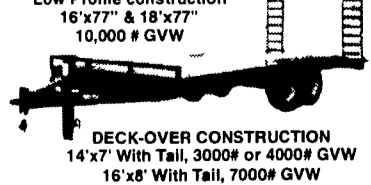
FREE BATTERY

Starting At \$3995 w/4 Adj. Tail



GOOSENECK SIZES 20'x8' 12,000# or 14,000# GVW, 24'x8' 14,000# GVW

Low Profile construction
 16'x77" & 18'x77"
 10,000 # GVW



DECK-OVER CONSTRUCTION
 14'x7' With Tail, 3000# or 4000# GVW
 16'x8' With Tail, 7000# GVW
 20'x8' w/Tail 10,000# GVW **\$3,295**