

# Swine AI Workshop Set

# Young Cooperators

BETHEL (Berks Co.) — Penn State University, Commercial Concepts, and the Pennsylvania Pork Producers are sponsoring an Artificial Insemination (AI) Workshop Aug. 25 here at the Midway Diner.

Featured speaker will be Wayne Singleton, extension swine specialist from Purdue University.

The workshop is divided into an afternoon and evening session. The afternoon session, which begins at 2 p.m. is intended for producers who have limited experience with AI. The evening session, which commences at 5:30 p.m. is designed for producers with more extensive experience and will address developments in AI research and techniques.

Producers of all levels of expertise will likely benefit from the entire workshop and are welcome to attend both sessions. Cost of the program is afternoon only (\$15), evening only (\$30), and afternoon and evening (\$40).

The Midway Diner is located at Exit 5 off Interstate 78 near Bethel. Registration deadline is Aug. 21.

Following is a program schedule.

Evening Program for Advanced Producers

765-494-9346 (fax)  
wsinglet@hub.ansc.purdue.edu

- 5:30 pm Dinner
- 6:30 pm Evening Preview and Introductions  
**Ken Kephart**
- 6:40 pm New AI Developments  
**Wayne Singleton**
- 7:30 pm Services and Products Available at Commercial Concepts  
**Don Verhoff**
- 8:00 pm Question and Answer
- 9:00 pm Adjourn

**Don Verhoff**  
Swine Industry Consultant  
5417 County Road M  
Ottawa, OH 45875  
419-384-3885 (phone)  
419-384-3308 (fax)

## REGISTRATION FORM Due by August 21, 1998

Name \_\_\_\_\_  
Address \_\_\_\_\_  
\_\_\_\_\_  
City \_\_\_\_\_  
State \_\_\_\_\_ Zip \_\_\_\_\_

No Attendees	Session	Total Cost
_____	Afternoon @ \$15	_____
_____	Evening @ \$30*	_____
_____	Afternoon & Evening @ \$40*	_____
Total Remitted		_____

\* Includes supper

### Send Registration To:

AI Workshop  
Kathy Houser  
324 Henning Building  
University Park PA 16802

### Make Check Payable To:

Keystone Pork Expo

Note: The workshop is divided into an afternoon and evening session. The afternoon session is intended for producers who have limited experience with AI. The evening session, which is designed for producers with more extensive experience, will address recent developments in artificial insemination research and techniques.

Producers of all levels of expertise will likely benefit from the entire workshop and should feel welcome to attend both sessions.

### PROGRAM PARTICIPANTS

**Ken Kephart**  
Associate Professor of Animal Science  
Penn State University  
306 ASI Building  
University Park, PA 16802  
814-863-3671 (phone)  
814-865-7442 (fax)  
kkk2@psu.edu

**Brian Lake**  
General Manager  
Commercial Concepts AI  
HCR 80 Box 86  
Needmore, PA 17238-9610  
800-573-4577 (phone)  
717-573-4426 (fax)

**Wayne Singleton**  
Extension Swine Specialist  
Purdue University  
1151 Lilly Hall  
West Lafayette, PA 47907  
765-494-4839 (phone)

(Continued from Page A26)  
team for next year's program. Dan and Rhonda Cutts, Tabernacle, NJ and sponsored by Keystone Farm Credit, will return as conference chairs. Leading the western region of PA and surrounding states will be Marsha and Samuel Minor, Jr., of Eighty Four, and sponsored by Agway, Inc. Representing eastern PA and southern and eastern states will be Timothy and Amanda Lehmann of Lewisberry, also sponsored by Agway, Inc.

Two other couples were recognized for their significant leadership contributions. Glenn and Kathy Pugh, Shippensburg, have served as conference chair-couple since 1996. They were sponsored to the 1998 conference by CoBank. Also providing leadership from the south-central portion of the state was Dennis and Barbara Peckman, St. Thomas, who were sponsored by Genex Cooperative, Inc.

Other conference attendees include: Joseph and Ramona Andrews, Jamestown, sponsored by PennWest Farm Credit; Dan and Judy Church, Shamong, NJ, sponsored by Ocean Spray; Susann and Wellington Deeds, Jumping Branch, W VA, spon-

sored by MD & VA Milk Producers; Dean and Darlene Groff, Kinzers, sponsored by Keystone Farm Credit; Mark Dellinger, New Oxford, sponsored by York Farm Credit; Darryl and Stacey Knechel, Harleysville, sponsored by Keystone Farm Credit; Hugh McPherson, New Park, sponsored by York Farm Credit; Micah and Deborah Meyers; Greencastle, sponsored by Land O' Lakes; Lonny and Robin Ormond, Kennedy, NY, sponsored by Dairy Farmers of America; Thomas and Angela Smith, Greenville, sponsored by Agway, Inc.; Dennis and Melissa Whitney, Harborcreek, sponsored by National Grape Cooperative; and Brian Wilcott, Sinclairville, NY, sponsored by Dairy Farmers of America.

PCC is a regional association of agricultural and rural cooperatives. Its membership includes major marketing and farm supply cooperatives, the Farm Credit Associations of PA, as well as, rural electric cooperatives. The organization has been serving cooperative members since 1933. For more information contact the PCC office at 662 Kepshire Road, Patton, PA, 16668 or cmsmyer@aol.com



August 25, 1998  
Midway Diner - Exit 5, I-78

Afternoon Program for Beginning Producers

- 2:00 pm Introductions and Scope of the Workshop  
**Ken Kephart**
- 2:10 pm Fundamentals of Swine Reproduction and Artificial Insemination  
**Wayne Singleton**
- 3:00 pm Services and Products Available at Commercial Concepts  
**Don Verhoff**
- 3:30 pm Semen Collection and Handling  
**Wayne Singleton**
- 3:50 pm Making AI Work in Your Herd  
**Wayne Singleton**
- 4:30 pm Question and Answer



"Making Memories"

August 24 - August 29, 1998

Daily 10 am to 11 pm

Rides Open @ 4 PM Daily, Saturday @ Noon

Free Entertainment Nightly

Special Preview Night • Monday, August 24th

SALE OF CHAMPIONS

THURS., AUG. 27 6:30 PM

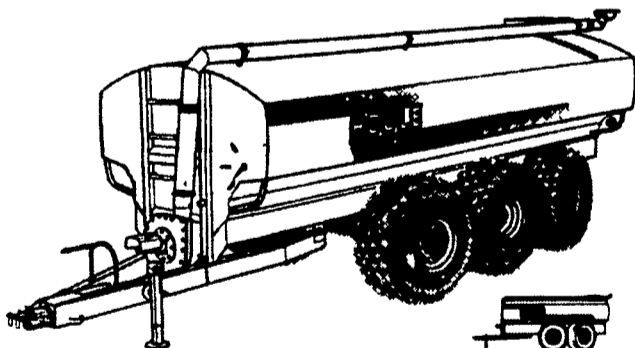
1 Mile East of Center Square, Elizabethtown

Email: Etownfair@pafairs.org

Web Site: www.pafairs.org/etownfair

## LIQUID MANURE SPREADER

WITH FLOTATION TIRES TO MINIMIZE SOIL COMPACTION  
Available with complete line of spreading tool bars and precise flow control to spread manure the ecological way eliminating spray drift and reducing odors. Our tool bars are designed to apply hog or dairy manure on growing fields, between rows of corn or on harvested fields.



4-6 OR 8 WHEEL SPREADERS WITH POWER STEERING-3850 TO 9500 US GAL.

SPREADERS WITH SINGLE AXLE OR TANDEM-2350 TO 6000 US GAL.

- "V" shape bottom for more complete clean out.
- Standard exterior finish: epoxy primer and urethane paint.
- Low profile tank for maximum visibility and stability.

**HOULE** Spreaders & Pumps  
In Stock for Immediate Delivery  
& Rental Units Available

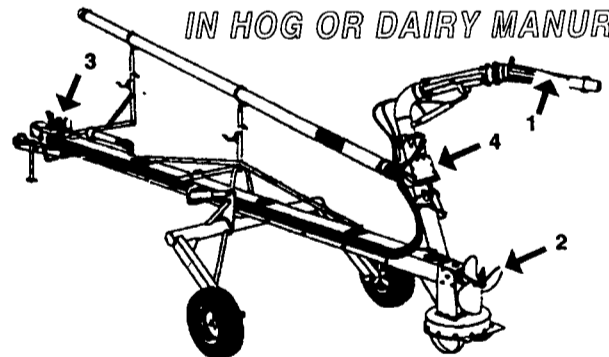
# HOULE

## TRAIL

## AGI-POMPE

32' and 42' for Lagoons

GREAT PERFORMANCE  
IN HOG OR DAIRY MANURE



- 1-Highly articulated nozzle designed to slice and break the top crust from above the manure level as the propeller homogenises the liquid with the remaining floating chunks.
- 2-24" dia. mixing propeller providing full time agitation up to 21,500 US G.P.M. even when loading a spreader.
- 3-Hydraulic controls can be operated from tractor seat.
- 4-Rotative directional valve designed to be operated at low R.P.M. without stopping the P.T.O.

Gear box oil bath protected by a greasable 3 seals mechanism on each shaft.

AVAILABLE WITH MULTIPURPOSE OPTION TO ALSO CLIMB INTO CONCRETE PITS UP TO 14' DEEP.

Rent the **HOULE**  
Steering Axle Spreader



# Cedar Crest Equipment

Two Convenient Locations

608 Evergreen Rd.  
Lebanon, PA 17042  
(717)270-6600  
1-800-646-6601

RD 2 Box 271  
East Earl, PA 17519  
(717)354-0584