

# Penn State Fruit Times Newsletter

(Continued from Page A40)

Key to acronyms: CM, codling moth, OFM, Oriental fruit moth, RBLR, redbanded leafroller, STLM, spotted tentiform leafminer, TABM, tufted apple bud moth, LPTB, lesser peachtree borer; LAW, lesser appleworm, OBLR, obliquebanded leafroller, DWB, dogwood borer, PTB, peachtree borer, AM, apple maggot

**INSECT EVENTS** The following table presents model output of the cumulative percent at critical stages of six apple insect pests for Biglerville, PA. The table is based on temperature-driven models of hatch or emergence derived from observations at Biglerville or from literature references. The table can be used to determine the optimum times for scouting and control measures for each generation. The accumulated degree-day table below can be used as a rough estimate of the relative difference in insect development for other parts of the state. We advise that you use local trap catch and accumulated degree-days from your location for spray decisions.

Species	Stage	6/4	6/11	6/18	6/25	7/5
STLM	Hatch	6	13	39	80	98
OFM	Hatch	0	0	1	12	85
CM	Hatch	66	77	90	0	2
TABM	Hatch	22	40	80	98	0
OBLR	Hatch	0	17	67	95	0
AM	Emergence	0	0	1	3	33

**ACCUMULATED DEGREE DAY (ADD) BASE 43 FROM JANUARY 1**

Site	6/7	6/14	6/21	6/28	(7/5)
Kennett Square	1457	1610	1832	2060	2291
Biglerville	1447	1592	1808	2032	2257
Wexford	1350	1490	1681	1916	2121
Wenksville	1317	1448	1658	1872	2096
Muncy	1201	1336	1531	1753	1963
North East	1042	1173	1351	1573	1768

**SUMMER BORER APPLICATIONS** Peachtree borer has been flying for over a month in Biglerville and pose a significant risk, particularly to peach and nectarine less than three years old. Trunk sprays of Asana XL (2 to 4 fl oz per 100 gal, 14 day PHI), endosulfan (1.5 lb of 50W or 1.5 qt of 3E per 100 gal, 21 to 30 day PHI), or Lorsban 4E (1.5 to 3 quarts per 100 gal, 14 day PHI) during the summer give excellent control. Lorsban 4E may only be applied once per year and

must not contact the fruit. Two applications of the other products may be necessary to cover the flight period. Treatment should be applied as a course low pressure spray and wet all bark areas from the ground level to the scaffold limbs. A post-harvest application may be necessary on early-maturing cultivars.

Dogwood borer applications should also be considered at this time. Lorsban 4E is recommended at 3 lb per 100 gal to the burr knot areas of infested trees.

**POTATO LEAFHOPPER ALERT** Dr. Bill Lamp of University of Maryland reports that potato leafhopper has been reproducing in alternate hosts and could continue to invade apple. Watch apples and "porch lights" for leafhopper activity.

**WESTERN FLOWER THRIPS UPDATE** Thrips population in white clover in Biglerville are predominately western flower thrips and are at relatively high levels for this time of the season. Watch the earliest maturing cultivars for silencing injury. Sampling procedures for this thrips are detailed on pages 116 and 117 of the TFFG. DuPont has renewed the 24C label for the use of Lannate 90SP in nectarine in Pennsylvania. (Carl Felland, 717-677-6116 ext 5 and Larry Hull)

**PLANT PATHOLOGY:**

**SIGN-UP FOR NEW E-MAIL, "FRUIT ALERT"** We are beginning an e-mail version of the newsletter as soon as we have a grower e-mail address list assembled. The "Fruit Alert" will be sent out on an irregular basis when pest, disease or production situations occur that growers need to be informed of in a short amount of time. The "Fruit Alert" messages will be short and to the point. The hardcopy "Fruit Times" newsletter will continue to be sent out by e-mail or surface mail every two weeks. To receive the e-mail "Fruit Alert", send your e-mail address and the County, State you are from to Rita Smith, at rms20@psu.edu (Jim Travis)

The Pennsylvania State University is committed to the policy that all persons shall have equal access to programs, facilities, admission, and employment without regard to personal characteristics not related to ability, performance, or qualifications as determined by University policy or by state or federal authorities. The Pennsylvania State University does not discriminate against any person because of age, ancestry, color, disability or handicap, national origin, race, religious creed, sex, sexual orientation, or veteran status. Direct all inquiries regarding the nondiscrimination policy to the Affirmative Action Director, The Pennsylvania State University, 201 Willard Building, University Park, PA 16802-2801; tel. (814) 865-4700/V; (814) 863-1150/TTY.

Where trade names appear, no discrimination is intended and no endorsement by Penn State Cooperative Extension is implied.

## SHADE TREES for Farm & Industry

Red Oak, Pin Oak, Sugar Maple, Ash,  
Native Red Maple, Locust & More.

2" to 4" Caliper - 13' to 16' **\$80 to \$140** each  
Some "Park Grade" Trees F.O.B. Denver PA  
Quantity Discounts

Many Pre-Dug for Summer Planting.  
Large Selection of Sizes - Mostly Small Lots

DRUMM

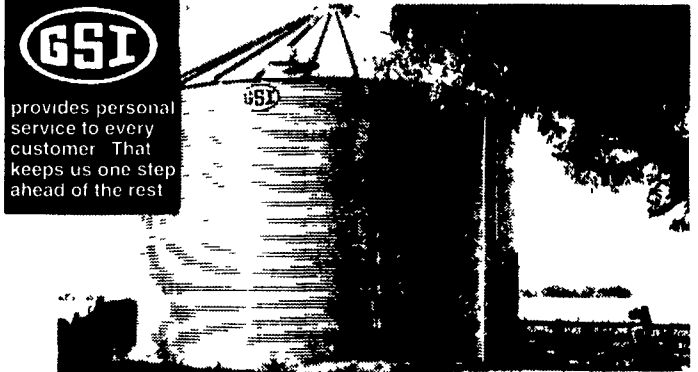
Evergreen Trees Also Available



95 Leisey Road  
Denver, Lancaster County, Pa 17517  
717-336-5515



## PLAN NOW FOR THIS SEASON'S CROP



- Weight-Tronix Feed Mill
- Transport Augers
- Bucket Elevators
- Strring Systems
- Utility Augers
- Feed Bins
- Wet Tanks
- Grain Bins
- Air Drying Systems
- Grain Dryers
- Parts & Motors

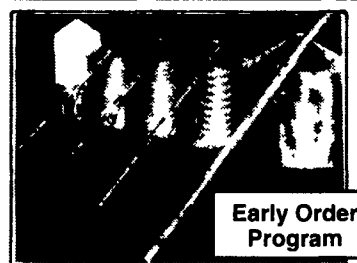


**GSI AIRSTREAM**

## AUTOMATIC BATCH OR CONTINUOUS FLOW GRAIN DRYERS



The Competitive Edge  
"Smart system" eliminates guesswork



**WESTFIELD GRAIN AUGERS**  
Quality Product At An Affordable Price!  
IN STOCK NOW!

## USED GRAIN DRYERS AVAILABLE

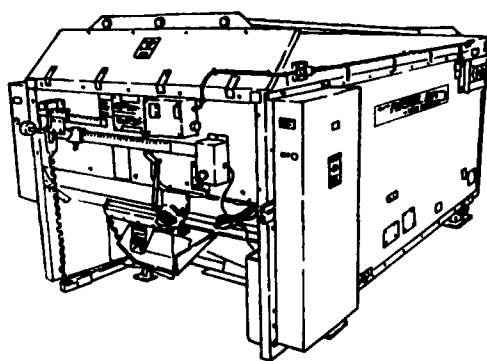
- Moridge 8770, PTO, 700 Bu. Holding Capacity
- Farm Fan AB250 Automatic Batch w/Cal-Dry Moisture Control 200 BPH/10 pt.
- Farm Fan AB250 Automatic Batch w/Cal-Dry Moisture Control 200 BPH/10 pt.

## Sukup Airways

- Stop Bin Wall Spoilage
- Can Pay For Themselves In One Year
- Easy, Low Cost Installation
- Prevents Moisture Condensation

# 10 REASONS WHY YOU NEED A RISSLER TMR MIXER

1. Who Else Uses 3/16 And 1/4 Stainless Steel On Auger Troughs?
2. Who Else Uses Stainless Steel For The Floors As Standard?
3. Who Else Uses 1/10" Inside and .065 Outside High Density Poly Coated 1" Plywood For Their Mixing Box?
4. Who Else Uses 1/2" and 5/8" Stainless Steel Pins With Large Heads On Their Mixing Chains?
5. Who Else Uses Welded Steel Chains With 5/16" And 3/8" Side Bars?
6. Who Else Uses 3/8" and 1/2" Flighting On All of Their Augers?
7. Who Else Has A 10 YEAR Limited Warranty On Their Mixing Box?
8. Who Else Has Any Machines In Service For 15 Years With Very Little Repair And Maintenance Costs?
9. Who Else Builds A Mixer That Still Gives A Near Perfect Mix, Even With Worn Parts?
10. Who Else Builds A Mixer Complete With Safety Shut Off Cables And Contactor Prewired For Service?



**RISSLER** MANUFACTURING

**Get the Picture?**

## RISSLER TMR MIXERS

- ★ Proven Rugged
- ★ Proven Efficient
- ★ Proven Economical

448 Orchard Road  
Mohnton, PA 19540  
717-484-0551

## PREAGRO GRAIN TESTER

List \$249.00 Reg. Low Price \$199.00

**Super Sale \$189.99**

Also Available: PreAgro Model 55 Digital Grain Tester  
Which Automatically Compensates For Temperature

- ★ Full Line Parts Dept ★
- ★ Sell, Service & Install ★

Rt. 272 South  
14 Herrville Road  
Willow Street, PA 17584  
Ph. 717-464-3321 or  
Toll Free 800-732-0053  
Mon.-Fri. 6.30 am to 8 pm  
Sat. 7.30 am to 6 pm  
Sun. Closed

