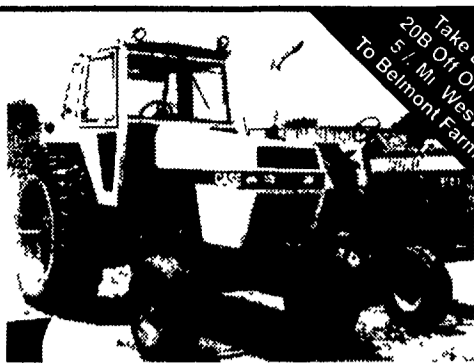


GEHL 329 Manure Spreader, only 50 loads old, excellent condition, \$15,000
610-863-1450



Case 2290, 130 HP, Cold A/C, 3880 Hrs., Dual Hyd., 3 Pt, 540/1000 \$10,500
Also Available:
Case 2090, Cab, Power Shift..... \$7,750
Case 930, Diesel, 3 Pt..... \$4,500
IH 1566, Cold Air, 540/1000, 3 pt. Duals... \$9,500
JD 4230, CAH, +158 Ldr., Will Separate..... \$14,250

Financing & Trucking Available
410-833-9091



Skid Loader Buckets and Forks
For John Deere, Case, Gehl, New Holland and Bobcat
Smoker Mfg.
415 Jackson School Rd. • Oxford, PA
(717) 529-6915 (8:00-9:00 AM)
DEALER INQUIRIES WELCOME!

Hobart 300 AMP, 3-phase, Meg welder w/wire feeders.
Includes new 300 AMP Tregaskiss gun, older but totally rebuilt by Dressel Welding Supply, 50' power cord
\$1400 OBO
717-369-2477

GEHL



USED EQUIPMENT
White 5100 Soybean Splitter
White 5100 6R Liquid
NI 3639 Spreader
White 5100 4R Planter
White 6100 6R Planter
Gleaner 6R 30 Hugger Head
White 288 Tractor
Ford 2110 4WD Tractor w/Loader
Bush Hog 2615 15 Rotary Cutter
Oliver 1855
White 8800 Combine
MF 4X Semi Mount Plow
(2) Grove Forage Box
Gehl Forage Box
NI 5112 Mower Conditioner
Hesston 1160 14' Windrower
NI 484 Round Baler
Gehl 1200 Forage Harvester
Fox 2200 Forage Harvester
Brillion 10' Cultimulcher
Brillion 10' Seeder
Miller Pro Forage Boxes in Stock
Demco 300 gal Trailer Spreader
Westfield 8x51 Auger

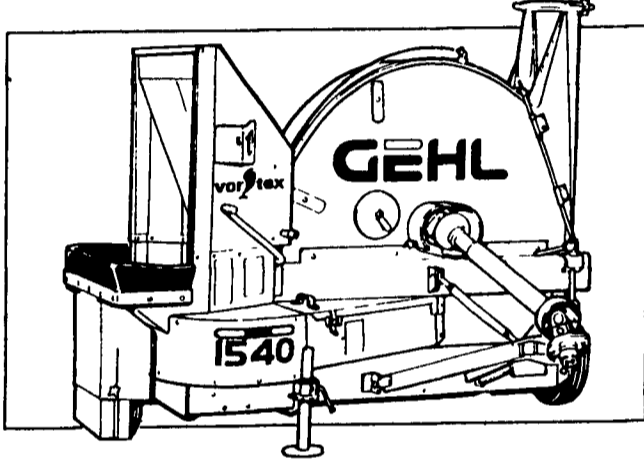
STANLEY'S FARM SERVICE
RD Box 46
Klingerstown, PA
717-648-2088
WE ALSO STOCK NEW VICON

SMITH FARM EQUIPMENT
30 Acker Road
Newport, Pa.
Perry County
717-567-3562

Farmall Cub & Equip
Farmall A
IH 674 Diesel
IH 886 Cab, Air
IH 1066 Diesel, Cab, Air
IH 1086 Cab & Air
Ford 8N
Ford 600 Gas
TD 850 4x4 w/Loader
Kubota B20 Backhoe/Loader
Oliver 1800 Dsl NFE
Oliver 1250G WFE
Pequea 710 Tedder
NH 354 Grnder Mixer
NH 455 Skid Loader
NH 553 Skid Loader
IH 3200B Skid Loader
IH 2 MH Corn Picker
NI 323 Corn Picker
NI 324 Corn Picker Wide Row
NH 853 Round Baler
IH 440 Baler w/Kicker
Hesston 530 Round Baler

Class 48 WPT Round Baler
IH 64 Combine
IH 76Combine
IH 715D Combine
Hardi 500 gal Sprayer
PTO Generators
Tye 10' Drill
Pequea Trailers
(2) Wood 8x8 Hay Wagons

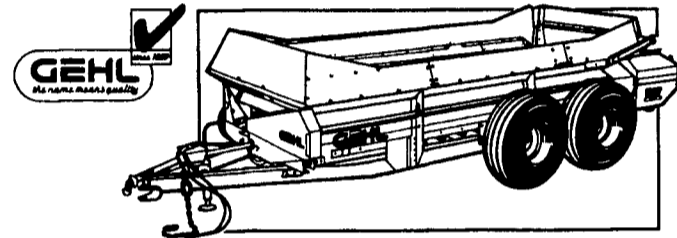
"Vortex™" Blowers



If you need a high-capacity forage blower to fill your tallest silos, Gehl Vortex blowers will help get your silo-filling done in short order.

- **Three models** - Your choice of 540 or 1,000 rpm operation
- **Twin spinners** - Riffle material into the blower fan at nearly 35 mph
- **Twin-sided fan disc** - Paddles on both sides shoot the crop up the pipe in nearly continuous flow
- **Split rim sheets** - Feature a replaceable inner liner for longer life and lower maintenance costs
- **Many convenience features** - Swing-away blower outlet, air vents, adjustable left tire, right tire guard, wide hopper, removable tunnel covers and duals water inlets

One Tough Box Spreader



Gehl Box Spreaders deliver outstanding performance in a variety of materials. Available in four sizes to match your operation.

- **Excellent spread patterns in a variety of materials**
- **12-year warranty on sides and floor**
- **High-density polyethylene flooring is virtually indestructible**
- **Options include: hydraulic remote control, hydraulic drive, hydraulic endgate and liquid side extensions.**

FREEDOM FINANCING
9.9% for 48 months With Full Cash Rebates

Stretch your equipment purchase dollars with Gehl Finance. Talk to your participating Gehl dealer about our current programs.

Waiver of Finance on new Gehl Equipment until **Apr. 1, 1999** Then 9.9% APR for up to 36 months

CASH REBATES

0% for 12 months - OR - 3.9% for 24 months - OR - 4.9% for 36 months - OR - 5.9% for 48 months

*Certain restrictions may apply. See your participating Gehl dealer for complete details. Gehl Company reserves the right to interpret, modify or cancel these programs at any time without prior notice.

Available From Your Local Participating Dealer

- | | | | | |
|--|---|--|--|--|
| LINCOLN SUPPLY CO.
Rt. #2, Box 217A
Somerset, PA | STOUFFER BROS. INC.
1066 Lincoln Way West
Chambersburg, PA | WERTZ FARM EQUIP.
4132 Main St.
Lineboro, MD | D.W. OGG EQUIPMENT CO.
5149 Cap Stine Rd.
Frederick, MD
961 Leisters Church Rd.
Westminster, MD | HINES EQUIPMENT
PO Box 5, Rt. 22
Cresson, PA
RR 03, Box 550, Altoona
(Bellwood) |
| MILLER EQUIPMENT CO.
RR 01 Stauffer Rd.
Bechtelsville, PA | TOM DUNLAP
Rt. 220-Main St.
Jersey Shore, PA | A.L. HERR & BRO.
312 Park Ave.
Quarryville, PA | ECKROTH BROS. FARM EQUIPMENT
RR 02, Box 24A
New Ringgold, PA | ICKES FARM SUPPLY
Rt. 1 Hwy. 869 West
Osterburg, PA |
| MILLER-LAKE
RR 02, Box 273A
Belleville, PA | UMBERGER'S OF FONTANA
RR 04 (Fontana)
Lebanon, PA | BINKLEY & HURST BROS.
133 Rchtsville Station Rd.
Lititz, PA | GUTSHALLS, INC.
RD 2 Rte. 850W
Loyville, PA
and
1201 Spring Rd.
Carlisle, PA | LEBANON VALLEY IMPLEMENT CO., INC.
700 E. Linden St.
Richland, PA |
| PEOPLE'S SALES & SERVICE, INC.
Route 35
Oakland Mills, PA | | | | LEHIGH AG EQ. INC.
6670 Ruppsville Rd.
Allentown, PA 18106 |