

BUY, SELL, TRADE OR RENT THROUGH THE  
**CLASSIFIED ADS**

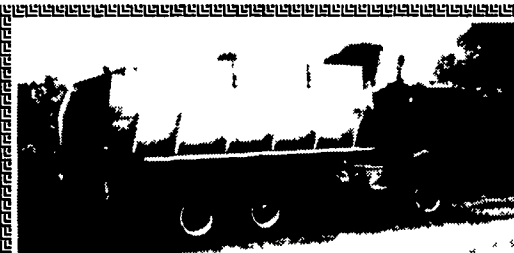
**JUNE IS DAIRY MONTH**

**Diesel and Electronic Fuel Injection Specialists**

AMBAC BOSCH Cummins  
STANADYNE C.A.V. Caterpillar

**CENTRAL PENN PUMP CO.**

2700 Cumberland St.  
Lebanon, PA 17046  
717-274-0665



**16' Spreader Truck**

Ideal for spreading poultry, lime or compost. Ready for work. Best offer.

**717/684-6680**

No Sunday Calls

**Patz Miller-Lake, Inc.**

4567 E. Main St.  
Belleville, Pa. 17004 **GEHL**  
(717) 935-2335



**USED EQUIPMENT**

JD 7720 Type II Combine w/Flex Cutting Platform, 4310 Hrs., Dial-A-Matic, 1985  
**\$25,000**

- JD 630 Gas Tractor w/NF. .... \$4,500
- JD 620 Gas Tractor w/NF..... \$2,500
- JD 60 Gas NF... .. \$2,500
- Ford 801 w/Loader... .. \$5,000
- Ford 8N..... \$2,500
- Farmall Cub w/Plow, Cult., Sickle Bar & Plow..... \$2,500
- JD 675B Skid Steer..... \$9,500
- JD MT Tractor w/Plow & Cultivator..... \$3,000
- JD 3970 Harvester w/New Knives & Shear Bar & 2 Row 30" Head..... \$16,500
- JD 2 Row 30" Yellow Head.. .. \$2,500
- JD 1219 MOCO . . . . . \$2,500
- NH 1469 S.P. Haybine. .... \$2,000
- NH 489 Haybine .. . . . \$2,500
- NH 478 Haybine..... \$1,500
- NH 855 Round Baler..... \$6,500
- NH 258 Hay Rake..... \$2,200
- NH 791 Spreader w/New Sides . . . \$3,500
- NI 602 Forage Blower..... \$900
- JD 210 14 ft. Disc . . . . . \$1,800
- JD 420 w/60" Mower..... \$6,500
- JD 265 w/48" Mower . . . . . \$3,500
- JD 214 w/46" Mower . . . . . \$1,500
- JD 111 w/38" Mower..... \$825

**NEW JOHN DEERE HAY EQUIPMENT**

74, 9 1/2' Rake w/Wheel Ca\$h \$4,495  
435, 4x6 Ca\$h \$15,775

**NEW GEHL EQUIPMENT**

MF 8285 Mixer Feeder \$15,975  
SL3825SX Skid Loader w/Bucket \$13,995  
MS1322 Spreader \$12,595  
FB1540 Blower \$3,795

**NEW BRILLION EQUIPMENT**

PDT14 CALL  
PDT16 CALL

**USED TRACTORS**

(L) Case 500 w/Loader \$2,395  
(L) AC B w/mower front blade \$1,695  
(C) Cub Low Boy w/mower & blade. . \$1,995

**USED EQUIPMENT**

(C) J&M bin wagon w/gear. \$1,150  
(L) Gehl 760 harvester w/2 heads. \$5,995  
(C) Vicon 1210 round baler, 4x5 \$4,395  
(C) NH 492 haybine w/hyd tongue \$5,695  
(L) JD 450 12' Grain Drill \$5,900  
(L) JD 1460 Mo-Co . \$7,900  
(C) JD 145 Loader \$2,350  
(L) JD 7000 4R Planter \$3,995  
(L) TCI Fertilizer Spreader \$495  
(C) Gehl CB800 Harvester, 2R Head \$1,950  
(L) AMT 626 \$2,895  
(C) JD 1209 Mo-Co . . . \$1,095  
(L) Hustler 56 blower . . . . \$495



**GUTSHALLS, INC.**

Carlisle Loysville  
(717) 249-2313 (717) 789-4343

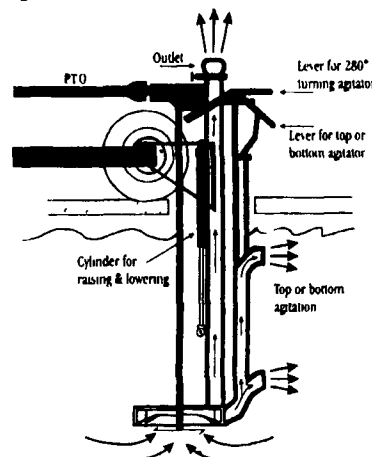
**USED TRACTORS**

• Cab For IH1066, A/C, White..... \$900  
• IH 1086 Cab & Air \$12,900  
• IH 1066 Cab . . . . . \$8,900  
• IH 686 Fender . . . . . \$8,900  
• IH 806 Engine Rebuilt. . . . . \$7,900  
• JD 855 Tractor, 2WD, w/Loader, Showroom Cond \$9,900  
• IH 826 Cab, Nice! . . . . . \$8,750

**USED EQUIPMENT**

• Gehl 860 Harvester, nice \$3,200  
• Gehl HA1110 grass head, like new \$2,200  
• Gehl TR30-38 2R corn head \$1,400  
• Case IH S20 loader, like new, self-leveling, bucket w/valve \$5,100  
• NH 565 Baler (like new) . . . \$7,800  
• New Idea 323 Corn Picker (like new) \$3,000

**Liquid Manure Pit Pumps**



• Hydraulic lift • Simple controls • Dual agitation



**MILLER'S REPAIR**

1 Mile North of Bird in Hand  
8 Miles East of Lancaster  
Ph. 717-656-6109

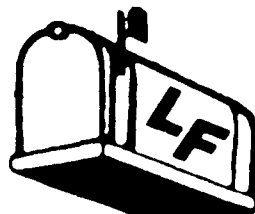
We Now Accept Visa & Master Card

**CLASSIFIED AD ORDER BLANK**

PLEASE WRITE CLEARLY

MAIL TO  
LANCASTER FARMING  
P.O. Box 609 Ephrata, PA 17522

PLEASE CALL OUR CLASSIFIED AD DEPT. IF YOU WANT TO ADVERTISE A DISPLAY BOX IN OUR PAPER



NOTE: Please do not use this form for Mail Box Market Ads, see instructions with Mailbox Markets

Name \_\_\_\_\_  
Address \_\_\_\_\_  
City \_\_\_\_\_ State \_\_\_\_\_  
Zip \_\_\_\_\_ Phone( ) \_\_\_\_\_  
Please publish my \_\_\_\_\_ word ad \_\_\_\_\_ times starting with the \_\_\_\_\_ issue Classify under # \_\_\_\_\_ I enclose \_\_\_\_\_  
 Check Enclosed  
 Visa (13 or 16 numbers)  
 Mastercard (16 numbers) (Be sure to include all numbers)  
Card # \_\_\_\_\_  
Exp Date \_\_\_\_\_ Signature \_\_\_\_\_

Box Replies Ads with answers coming to a box number, c/o Lancaster Farming \$1 50 per ad per week additional

This newspaper will not be responsible for more than one incorrect insertion of any advertisement

**CLASSIFIED ADVERTISING RATES**

49c per word per week - 1 or 2 times  
44c per word per week - 3 or more times  
11 word minimum

Words	1 Time	2 Times	3 Times
up to 11	5.39	10.78	14.52
12	5.88	11.76	15.84
13	6.37	12.74	17.16
14	6.86	13.72	18.48
15	7.35	14.70	19.80
16	7.84	15.68	21.12
17	8.33	16.66	22.44
18	8.82	17.64	23.76
19	9.31	18.62	25.08
20	9.80	19.60	26.40

**DEADLINES**  
SECTION D - WEDNESDAY AT 4 00 PM  
SECTION C - THURSDAY AT 9 00 A M  
OF EACH WEEK'S PUBLICATION

1	2	3	4	5
6	7	8	9	10
11	12	13	14	15
16	17	18	19	20
21	22	23	24	25
26	27	28	29	30
31	32	33	34	35
36	37	38	39	40

(PHONE NUMBERS COUNT AS ONE WORD)

- Lancaster Farming  
1 E Main St  
Ephrata Pa 17522  
717-394-3047  
or Litz  
717-626-1164  
FAX 717-733-6058  
PHONE HOURS  
Mon Tues  
Wed & Fri  
8 a m to 5 p m  
Thurs  
7 a m to 5 p m  
OFFICE HOURS  
Mon thru Fri  
8 a m to 5 p m  
The following categories are available for your classified advertising in Section C Deadline Thursday morning at 9 of each week's publication
- 1-Farm Equipment
  - 2-Farm Eq Wanted
- The following categories are available for your classified advertising in Section D Deadline Wednesday afternoon at 5 of each week's publication
- 1a Construction Equipment
  - 3 Silos and Unloaders
  - 4-Building and Supplies
  - 5-Grain Equipment
  - 6-Dairy Equipment
  - 7-Livestock Equipment
  - 8-Cattle
  - 8a-Exotic Animals
  - 9-Horses & Mules
  - 10-Sheep & Goats
  - 11-Swine
  - 12 Artificial Breeding
  - 13-Hog Eq & Supplies
  - 14-Poultry & Supplies
  - 14a-Patiles
  - 15 Feed & Seed
  - 16-Fertilizer
  - 17-Plants
  - 18-Fruits & Vegetables
  - 19-Nursery
  - 20-Lawn & Garden
  - 21-Services Offered
  - 22 Custom Work
  - 23 Help Wanted
  - 24-Situations Wanted
  - 25-Business Opportunities
  - 26-Household
  - 27 Pets
  - 28-Lost
  - 29 Found
  - 30-Computers
  - 31-Notice
  - 32-Miscellaneous
  - 32a-Antiques
  - 33-Recreational Vehicles
  - 34-Autos
  - 35-Trucks & Trailers
  - 36-Real Estate