

# Rhubarb Fest Set For May 16

**INTERCOURSE** (Lancaster Co.) — Where can you go for a great family outing, where thousands from across the U.S. turn out to celebrate the coming of a Lancaster County spring — and rhubarb?

It's the 15th Annual Rhubarb Festival, set for Saturday, May 16 from 9 a.m. to 6 p.m. (rain or shine) at Kitchen Kettle Village. It's a day when everyone dresses and acts just a little bit off beat — a little bit zany. Here you will find a great roster of rhubarb-inspired festivities from the World's Only Rhubarb Race Car Derby (yes the mini dragsters are made of rhubarb stalks and electronically timed for the fastest finish) to the "Best Rhubarb Pie in Lancaster County" Baking Contest, Quilting Bee, Rhubarb Arcade of Games, plus more food than you could

ever imagine featuring — rhubarb!

Special guest appearances include the Mummertime Band from 10 a.m. to 3 p.m., and Banjo Jimmy's Band throughout the day. At 1 p.m. the Mummies will lead a Strolling Parade down Pepper Lane (the Village's main street), with over 40 "rhubarb" baton twirlers (the Tinkerbells and members of the Willow Street School of Dance) and the Village's own cast of costumed characters headed by Yummie and Rupert Rhubarb.

On the Gift House porch, author Ken Munroe will sign copies of the newest addition to his popular Sammy & Brian children's mystery series called "Creep Frog." Munroe, who selects Lancaster County locations for all his stories, centers the action in his new

novel around Kitchen Kettle Village. Creep Frog marks the seventh novel in this successful series.

At 2 p.m. Lapp Valley Ice Cream will run the "World's Only Foot-Powered Ice Cream Maker" — a beautifully restored 1800s farm treadmill that has been transformed from mule-power to people power. Here, three to four people team up to take 1½-minute turns walking the treadmill, that turns the crank of a large ice cream maker. Everyone who takes a spin earns a free sample of Lapp Valley Ice Cream (rated one of the richest ice creams in the U.S.).

Then there are the "Four Diamonds" events, where Village employees, friends and neighbors pitch in to help the Four Diamonds Fund that provides care and treatment for children with cancer at

the Hershey Medical Center. All day local farm women will hold a sewing bee to produce the annual Four Diamonds Quilt, which will be raffled off later this summer. Other funds will be raised by the Rhubarb Pie Competition (all entries will be sold by the slice), the sale of Rhubarb Car Derby Kits (which includes two electronically timed runs on the official track), and the Rhubarb Arcade — which will feature a Rhubarb Regatta, Rhubarb Bull's-eye Toss, Rhubarb Pick-up Sticks, Find the Rhubarb in the Haystack, a Which is the Real Rhubarb? game, and the World's One and Only Rhubarb Tree. Red and Green hair-spraying and face-painting will also make the kids' day.

Of course the main attraction at the Rhubarb Fest is the food, beginning with Kitchen Kettle's

famous Rhubarb, Raspberry Rhubarb, Strawberry Rhubarb and Bluegarb jams that are sold exclusively at festival time. The jams serve as a delightful ingredient in a collection of festival entrees, desserts, beverages and glazes that will be featured throughout the day. At stands and shops throughout the village visitors can enjoy Strawberry and Plain Rhubarb Pie, Strawberry Rhubarb Cookies, an Almond Rhubarb Pastry as well as Strawberry Rhubarb Coffee Cake. The outdoor grill menu spotlights Rhubarb Glazed Chicken Kabobs, and the Fresh and Simple Drink Stand will feature Strawberry Rhubarb Frost. There's even a kettle-shaped Soft Pretzel served with a Rhubarb Dipping Sauce. The Kling House Restaurant will spotlight rhubarb-inspired dishes for breakfast,

lunch and dinner, beginning with Strawberry Rhubarb French Toast and Rhubarb Baked Oatmeal. And don't miss the Strawberry Rhubarb Ripple Fudge at Garrahy's Fudge Kitchen.

A special Master Gardening display will be run by the Penn State Agricultural Extension Service and fresh rhubarb and rhubarb plants will also be sold along with copies of "The Little Book of Rhubarb Recipes."

Founded as a home business in 1954, Kitchen Kettle Village is a major destination where 33 food, furniture and artisan's shops now surround the original Jam and Relish Kitchen.

Kitchen Kettle Village is located on Route 340 in the Village of Intercourse, 10 miles east of Lancaster. All festivals are open to the public free of charge, and plenty of free parking is available on the Village grounds. For more information call or write: Kitchen Kettle Village, Rt. 340, Intercourse, PA 17534. Telephone: (800) 732-3538.

# J-STAR

## YOUR ALL-IN-ONE FARMSTEAD EQUIPMENT SOURCE

Silo Unloader Technology Takes a Giant Leap Forward!

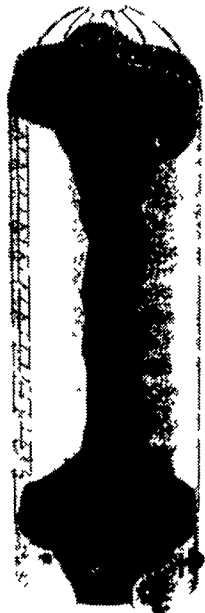
# BIG JIM. Quantum SYSTEM

### SIMPLY THE BEST!

You know tower silos are the best way to store feed. Now Jamesway® gives you the best way to fill and feed fast, with great reliability. Plus, you get:

- Better Feed Quality
- More Feed Storage
- A Clean Chute

The all-new industrial-design Big Jim QUANTUM System can be installed in any type of 20' to 30' forage silo. . . conventional or oxygen limited. And since it requires little maintenance and has no doors to change, you eliminate trips up and down the silo.



CALL US TODAY FOR A VIDEO AND BROCHURE.

The Silo Unloader Experts



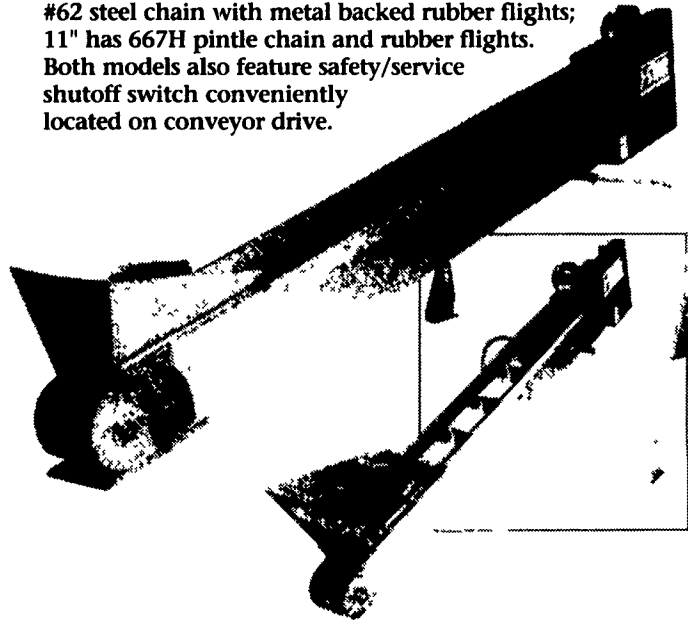
LEASE IT TODAY WITH ONE PAYMENT DOWN!

9" & 11"

## Single Chain Conveyors

### MOVE TONS OF FEED FAST & EFFICIENTLY

Now get the best of Jamesway®, Van Dale® and Starline® in J-STAR'S high capacity single chain feed conveyors. Available in 9" and 11" models to match distances up to 150', their belt and chain reduction drive is factory pre-assembled for easy installation. The 9" conveyor has #62 steel chain with metal backed rubber flights; 11" has 667H pintle chain and rubber flights. Both models also feature safety/service shutoff switch conveniently located on conveyor drive.



For high capacity feed conveying that offers you built-in flexibility, look no further than the one name that says it all — J-STAR.

• **CABLE ALLEY SCRAPER**

• **WASTE HANDLING EQUIPMENT**  
DUMPS - TANKS - TILLAGE APPLICATOR

• **FEED HANDLES**  
BELTS - FEEDERS - CONVEYORS

See These Dealers For Details Now...

**FRANKLIN'S FARM SERVICE**  
Laceyville, PA 717-869-2407

**JAMES L. HOSTETTER**  
McVeytown, PA 17051  
717-899-8386

**MARTIN EQUIPMENT**  
Chambersburg, PA  
717-263-3505

**PRINGLES SUPPLY & EQUIPMENT INC.**  
Greenville, PA 16125  
412-588-7950

**SOMERSET BARN EQUIPMENT**  
Somerset, PA 15501  
814-445-5555

**MARYLAND GLADHILL TRACTOR MART**  
Frederick, MD 21701  
301-663-6060

**HARRY TROOP**  
Cochranville, PA 19335  
215-593-6731

**K&S INC.**  
Quarryville, PA  
717-284-3111  
(VanDale Dealer)

**McMILLEN BROTHERS**  
Loysville, PA  
717-789-3961  
(VanDale Dealer)

**ROVENDALE AG & BARN EQUIPMENT**  
Watsontown, PA 17777  
717-538-9564  
OR 717-742-4226

**STAR SILOS**  
Myerstown, PA 17067  
717-866-5708

**MD & VA MILK PRODUCERS ASSOC.**  
Frederick, MD 21701  
301-663-6552

**HISTAND'S FARM & HOME SERVICE**  
Rome, PA 717-744-2371

**LAPP'S BARN EQUIPMENT SALES & SERVICE**  
Gap, PA 17527  
717-442-8134

**MILL CREEK FENCE & FARM**  
Lancaster, PA  
717-396-8987

**SOLLENBERGER SILOS CORP.**  
Chambersburg, PA 17201  
717-264-9588

**WALNUT BARN EQUIPMENT**  
Port Royal, PA  
717-436-9429

**NEW JERSEY GEORGE COLEMAN**  
Elmer, NJ 08318  
609-358-8528

**HOOVER EQUIPMENT**  
Tyrone, PA 16686  
814-684-1777



**SANDBLASTING - SPRAY PAINTING - AERIAL LADDER EQUIPMENT**



**HENRY K. FISHER & SONS, INC.**  
667 Hartman Station Road  
Lancaster, PA 17601  
(717) 393-6530