

## COWAN EQUIPMENT

Martinsburg, PA

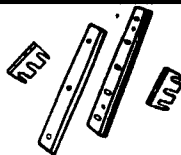
814-793-4293 Day or Evening  
or 814-793-9797 • Fax 814-793-2431

### Financing & Leasing Available

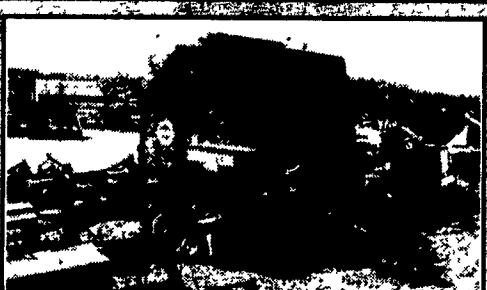
- JD 5830 chopper, 4x4, Kemper head
- JD 5400 chopper, 4x4
- JD 3970 chopper w/ 3 row corn head
- Hesston 1250 chopper, grass head, 3 row corn head
- Kemper 6 row head
- Kemper 4 row head
- JD 6 row head
- JD kernel processor
- JD 4455, cab & air, power shift, 4x4
- JD 3155, cab & air, 4x4
- JD 2755, 2WD
- JD 2555 4x4, fender
- JD 4450, cab & air, power shift 4x4
- JD 4250, cab & air, power shift, 4x4
- JD 2950, 4x4, fender
- JD 2550, cab & air, 4x4
- JD 2550, 4x4
- JD 4440, cab & air, power shift
- JD 2640, hi-low
- JD 2240, 4x4 w/loader
- JD 4430 cab air power shift
- JD 4320, fender
- JD 4020, '72 model, power shift
- JD 4020, '72 model
- JD 4000
- IH 1486, cab & air
- IH 1086 w/cab
- IH 1466, cab & air
- IH 1066, cab & air
- White 2-135, Red Stripe, 4x4, Series III
- White 2-105 w/cab, 4x4, 1982
- White 2-105 w/cab
- White 2-85
- Ford TW5, 4x4
- Ford 7610, 4x4
- Ford 5600, 4x4
- Ford 5000
- AC 6140 w/loader
- AC 160
- AC D17, diesel
- JD 260 loader
- JD 640 loader
- JD 158 loader
- JD 148 loader

- White Model 2-135 Tractor with cab, air and heat, 20.8-38 rear tires 90% completely rebuilt over - under power shift. new motor bearings and rebuilt front end, new paint.....**\$16,000**
  - Clark Model 6-20 Forklift, hard tires, LP gas, 2 stage mast, side shift and new paint **\$2,500**
  - Meyers Trailer Air-Blast Sprayer, PTO driven, new 500 gallon tank, set up for high clearance vegetable use.....**\$1,500**
  - Ford Model 7700 Tractor, dual power, 3 pt hitch, triple remotes, 18.4-34 tires 75% tread, 4143 hours. good condition. **\$12,000**
- CALL 717-587-1725**

## FORAGE KNIVES



• JD, NH, IH, etc.  
• Tungston Carbide Edge Knives from Weaver cannot be beat for Quality & Price  
Give your chopper chopping fever with quality knives from WEAVER!  
**Weaver Distributing**  
1-800-Weaver-D  
Fredericksburg, PA



**Hesston 5540 Baler, Makes 4x6 Bales** ..... **\$2,900**

**TANEYTOWN FARM EQUIPMENT**  
410/751-1500

## ALL AMERICAN MOWER SALE

(New, brand name only, Woods & Bush Hog)

### FINISH MOWERS

- 5' 3pt. hitch belt drive..... \$1395
- 5' 3pt. hitch side discharge..... \$1675
- 6' 3pt. hitch side discharge..... \$1550
- 6' 3pt. hitch side discharge w/tunnel \$1650
- 6' 3pt. hitch rear discharge..... \$1725

### ROTARY CUTTERS

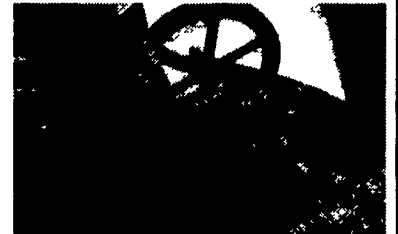
- 42" pull type for ATV w/engine..... \$1495
- 5' 3pt. hitch..... \$795
- 6' 3pt. hitch..... \$1195
- 7' 3pt. hitch..... \$1695
- 7' 3pt. hitch 2 blade offset..... \$1945
- 10' pull type..... \$4495
- 15' pull type bat wing..... \$9895

### DISC MOWERS

- 7' disc mower, 3 pt. hitch..... \$4795

**A. L. HOER & BROS.**  
Established 1890  
Park Ave., Quarryville, PA 17566  
(717) 786-3521

## Antique Gas Engine

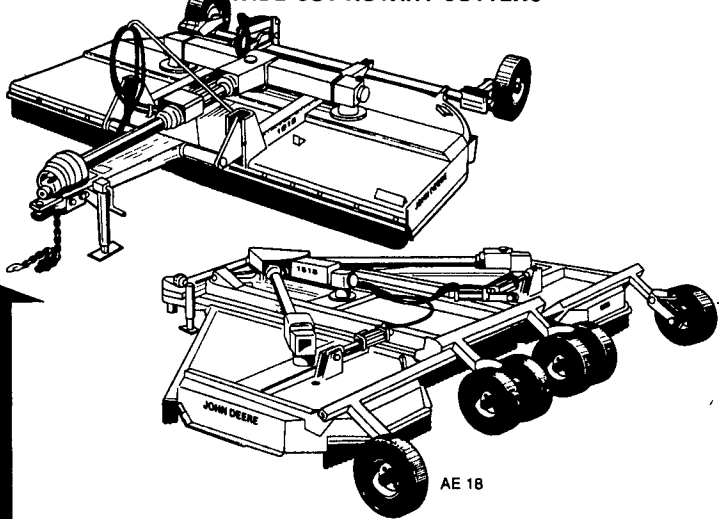


- 3 HP Stover Complete Project Engine, No Mag.....**\$200**
- 1 HP Newway Complete, Needs Little To Run.....**\$800**
- LeRio Single Cylinder, Hopper Cooler.....**\$150**
- 15 HP Reid 95% Complete With Clutch Pulley, Needs Restored.....**\$1,500**
- 4 HP Witte, Hopper Cooled, No Mag.....**\$300**
- 1 1/2 HP Headless Fairbanks Complete, Original Engine, Hot Mag.....**\$600**
- 6 HP Fairbanks, Condenser Cooled With Fan and Flywheel Complete, Needs Little To Run.....**\$600**

**610-779-3599**

# TRUCKLOAD PURCHASE IN STOCK

### JOHN DEERE WIDE-CUT ROTARY CUTTERS

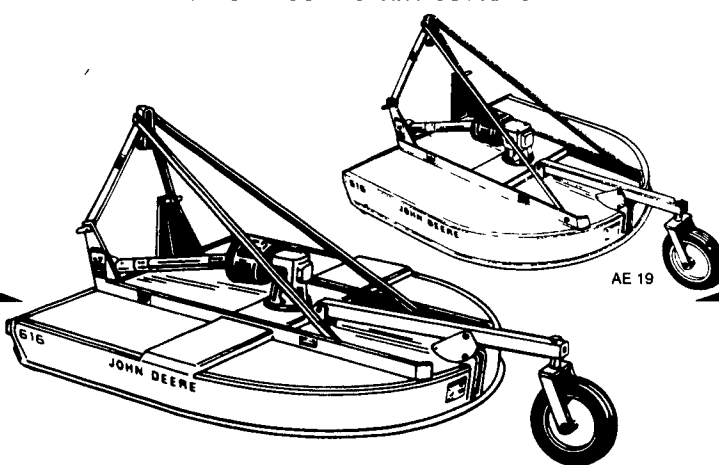


## WIDE-CUT QUALITY

- ▶ Choose from six models:
  - 10-foot 1018
  - 14-foot 1418
  - 15-foot 1518
  - 20-foot 2018 Flex-Wing
  - 10-foot 1518 Offset
  - 15-foot medium-duty 1517 Flex-Wing
- ▶ Heavy-gauge decks add durability
- ▶ High blade-tip speeds offer cleaner cuts
- ▶ Shredding and distribution kits are available

**GOOD DEALS...AND A GOOD DEAL MORE**

### JOHN DEERE 4- TO 7-FOOT ROTARY CUTTERS



## SHARP PERFORMERS

- ▶ Choose between seven cutters from 4 to 7 feet: 13 Series Economy line for light cutting chores, 16 Series medium-duty cutters; 09 Series for heavy-duty jobs; 717 General-Purpose Cutter
- ▶ These Unibody™ cutters feature full-frame, continuous-seam design for extra strength
- ▶ Clean-deck design keeps water out; trash buildup on the deck to a minimum

**GOOD DEALS...AND A GOOD DEAL MORE**

**Ask About FREE CUTTERS with Tractor Purchases**

# LEHIGH AG EQUIPMENT, INC.

6670 Ruppssville Road, Allentown, PA 18106

610-398-2553 or 1-800-779-3616



**JOHN DEERE CREDIT**



Convenient Hours.  
Mon - Fri 7:30 to 5:30  
Saturday 7:30 to 3:00  
We Ship Parts Same Day To Your Farm

**ROMBERGER FARM SUPPLY**  
RD #1, Box 57E  
Klingerstown, PA 17941  
(717) 648-2081

- (2) Miller Pro 5200 Forage Wagons
- Brillion 10' Seeder
- JD 12' Drag Harrow
- NH 782 Forage Harvester w/2 heads
- Fox 2310 Forage Harvester w/2 heads
- 200 Bu. ~~1500~~ Mill
- NH #8 ~~1500~~ Wagon w/Tandem Gear
- IH 130 Silage Wagon w/Tandem Gear, Painted & Reconditioned
- IH 120 Silage Wagon 2 Beater/no Roof, Painted & Reconditioned
- Wic 11' ~~1500~~ Chopping
- Wic - 3 pt. PTO Paper Chopper, New
- New Holland 315 Baler w/Thrower

**WHITE**  
BY WHITE NEW DEAL

**BUSH HOG**

### USED EQUIPMENT

- White 5100 Soybean Splitter
- White 5100 6R Liquid
- NI 214 Spreader
- NI 3639 Spreader
- White 5100 4R Planter
- White 6100 6R Planter
- Gleaner 6R 30 Hugger Head
- White 288 Tractor
- Ford 2110 4WD Tractor w/Loader
- Bush Hog 2615 15' Rotary Cutter
- Oliver 1855
- White 8800 Combine
- MF 4X Semi Mount Plow
- (2) Grove Forage Box
- Gehl Forage Box
- NI 5112 Mower Conditioner
- Hesston 1090 Windrower
- Hesston 1160 14' Windrower
- NI 484 Round Baler
- NH 315 Baler w/Thrower
- Gehl 1200 Forage Harvester
- Fox 2200 Forage Harvester
- Brillion 10' Cultimulcher
- Brillion 10' Seeder
- Miller Pro Forage Boxes in Stock
- Demco 300 gal Trailer
- Spreader
- Westfield 8x51 Auger

**STANLEY'S FARM SERVICE**  
RD Box 46  
Klingerstown, PA  
717-648-2088  
WE ALSO STOCK  
NEW VICON