

Tractors: John Deere 850, 950, 1050, 2555, 1840. Kubota L225, L305, L2250, L3350, L4150, L3600. Ford 2120. Yanmar 336, 276. Kiota, Zetor 4x4 loaders. Allis Chalmers 6060, 4x4 loader, \$14200. Kubota M7950, M8950, 4x4 loaders. 413-253-5456

TUB GRINDER Sundance, PTO, 1,000 RPM, \$5,000. 410-833-9091

Tractors For Sale

JD 3020 gas, WF, rebuilt engine & transmission \$6,900
 Parting out the following. A, B, H, M, 60, 70, 520, 620, 720D, 820, 430, 530, 3010, 4010, 4020, 4230, Etc.
 Lots of 4 and 6 Cylinder JD Diesel Engine Parts

FAHNESTOCK FARM SERVICE
 435 S. Race St, Myerstown, Pa 17067
717-866-7066

FOR SALE

NH Model 116, 14 foot, hydroswing haybine runs good \$4,000. Offset Disc, 12 foot, exceptionally rugged disc \$5,300 **AC 7060 Tractor w/cab, good running condition and good rubber. A real good tractor. Reduced to \$6,800. **WIC Silage Cart, gas engine - \$1,000.

(607) 336-5151
 Evenings before 8:00 p.m.



1486 IH.....\$6,400
 1086 IH, 4 post, rebuilt engine, good TA, dual hyd., dual PTO, new paint.....\$9,800
 4255 JD CAH 15 spd.....**SOLD** \$31,500

717/922-3340

Rake a Clean and Fast Swath of 11'2" With a New Rake from Binkley & Hurst



Thorough Construction

With large treads and wheels with balloon tires placed closely to the rake tines, a good adaption to the ground and an efficient clean raking can be obtained. The swaths are placed in airy, quick-drying swaths easy to pick up. The articulating head-stock is something between a normal three-point suspension and a draw-bar. The rakes follow the tractor freely as with towing, but automatically swivel behind the tractor and locked in transport position when raised. The rakes follow the tractor far into the corners and can rake the swaths away from the fence. Many rake arms with 4 double rake tines give the machine a high capacity. Easy fold up for road travel and storage - 5'3" width.

Ask For Amos Sr.
(Quality You Can Count On)

SMUCKER Safe Application of Herbicides



Weed Wiper From Binkley & Hurst

Degelman Dozer Blades

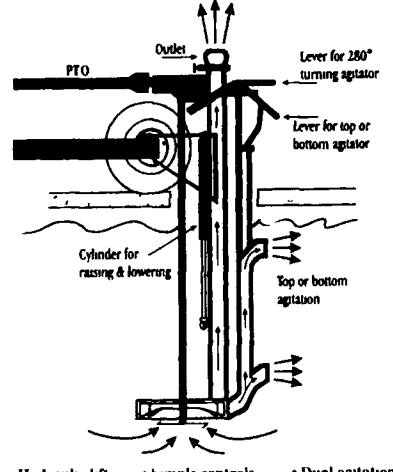
In Stock

Ideal For Excavation and Silo Bunker Leveling!



- ### USED TRACTORS
- IH 66 Series, White Cab w/Air, nice.....\$900
 - IH 1086 Cab & Air.....\$12,900
 - IH 1066 Cab.....\$8,900
 - IH 686 Fender.....\$8,900
 - IH 1466.....\$8,800
 - Case IH 5140, 1400 hrs, Very Sharp.....\$29,500
 - IH 808 Engine Rebuilt.....\$7,900
 - JD 855 Tractor, 2WD, w/Loader, Showroom Cond.....\$9,900
 - IH 826 Cab, Nice!.....\$8,750
- ### USED EQUIPMENT
- Gehl 860 Harvester, nice.....\$3,200
 - Gehl HA1110 grass head, like new.....\$2,200
 - Gehl TR30-38 2R corn head.....\$1,400
 - Case IH 520 loader, like new, self-leveling, bucket w/valve.....\$5,700
 - NH 565 Baler (like new).....\$7,800
 - New Idea 323 Corn Picker (like new).....\$3,000
 - NH 402 Crimper.....\$1,000

Liquid Manure Pit Pumps

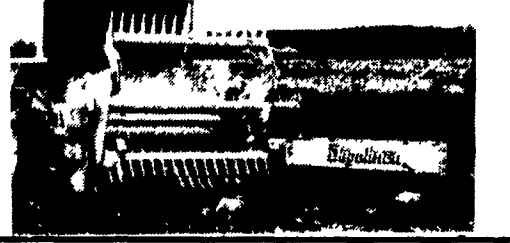


Hydraulic lift • Simple controls • Dual agitation

MILLER'S REPAIR
 1 Mile North of Bird in Hand
 8 Miles East of Lancaster
 Ph. 717-656-6109

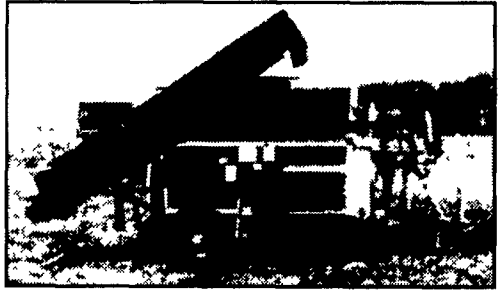
Go Fill

Rock Pickers Ready To Work - SUPER DEALS!

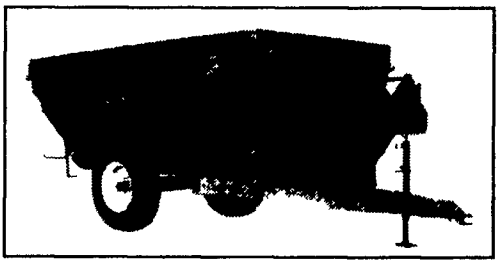


AG PRODUCTS COMPANY, INC.

234 Johnston's Lane, Mercersburg, PA 17236
TEL. 717-328-3177



KELLY RYAN Dependable farm equipment since 1945
CENTERLINE BAGGERS
 • New & Used • Repair Parts



KELLY RYAN AUGER/MIXER FEED WAGONS
 The right size at the right price
 Pull-type, truck-mounted or stationary
SILOFLEX™

3+ Yrs. Super-Life Silage Bags
 Competitive Pricing
 Early Order Pricing
 Custom Bagging
 Financing Available

BIAL INOCULANTS
DIXIE CHOPPER - World's Fastest Mower

With High IQ* Unverferth Augers. Some growers think gravity box augers are alike and just for handling grain. Unverferth augers are clearly distinct since they're designed and built for quickly moving all kinds of bulk items

High-capacity Unverferth gravity box augers are available in 12', 14' and 16' lengths with a rugged 6" diameter outer tube choice of ABS plastic or 10-gauge steel. Fighting options include brush-tip, steel or nylon

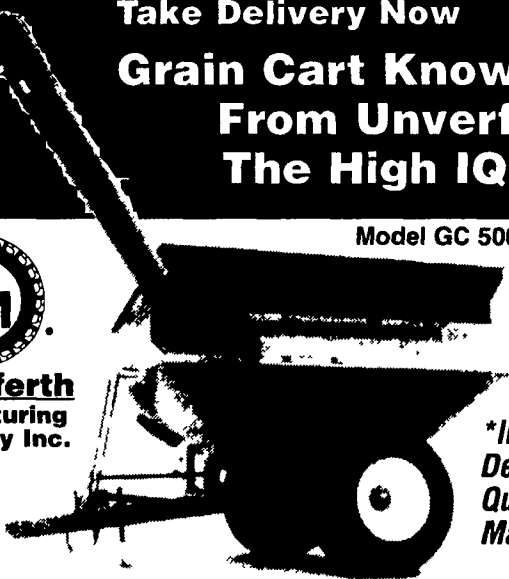
Most important, only Unverferth augers are built with the High IQ* characteristics of performance and durability that will keep your bulk materials on the move all year long.

In Stock At Binkley & Hurst Bros., Inc. Take Delivery Now

Grain Cart Knowledge From Unverferth - The High IQ* Line



Unverferth Manufacturing Company Inc.



Model GC 5000 525 Bushel
 See Binkley & Hurst Bros. Today
 Case Credit Financing

***Innovative Design - Quality Manufacturing**

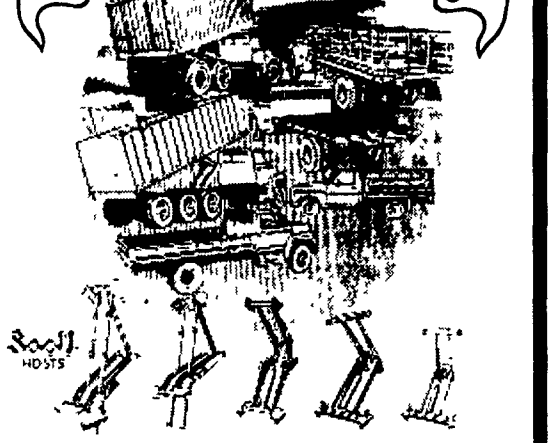
Unverferth Corner Auger™ Grain Carts are part of the High IQ* Line - Innovative Design and Quality Manufacturing - and that makes owning one a very wise decision!

- Unload on-the-go and increase harvest efficiency by up to 30%
- Patented corner auger design features unrestricted unloading visibility
- Extra-large 1-3/4" output shaft from gearbox handles the toughest jobs - even high moisture corn - with ease
- Fast! Unload up to 250 bu per minute with 14" computer-balanced auger

So go to the head of the grain cart class and see your High IQ* Line Unverferth dealer today!

TAFCO EQUIPMENT COMPANY

Scuff BODIES & HOISTS
 YOUR FULL LINE TRUCK EQUIPMENT MANUFACTURER



Call Today and Ask For Dean Truck Bodies In Stock

New Conveyor Box Blower Feeders In Stock At Discount Prices.

Purchase A Platform Feeder From Binkley & Hurst Bros., Inc.

For transferring any feed material from dump boxes, truck boxes, or rear unloading wagons Dump whole loads, and head back for more! Eliminates delays, plugging and down-time



Model K-R 10' Side x 28" High
 This Unique Platform Feeder puts the desired steady flow of fresh-cut silage, ear corn, small grain, etc., into blowers, grinders, elevators, or any hopper, without spilling.
 Your choice of right or left delivery.

SAVE \$ ONLY \$8,800
 Get One Now - Ask For Don Hoover

BINKLEY & HURST BROS. INC.

133 Rothsville Station Rd. (717) 626-4705
 P.O. Box 0395 1-800-414-4705
 Lititz, PA 17543-0395 Fax 717-626-0996

Discover MasterCard
Farm Plan
 A Service of FPC Financial