

H A P P E N I N G S

Airville Milk And Money 4-H Club

The first meeting of the year for the Airville Milk and Money 4-H Club was Feb. 24 at 7:15 p.m. at the Chanceford Presbyterian Church with 26 members present.

The minutes of the previous meeting were read, along with the treasurer's report and approved with the newly elected officers announced; president-Susan Richardson; vice president-Sara Greek; recording secretaries, Erin Marks and Raechel Kilgore; corresponding secretary, Barbara Richardson; treasure, Christi Knight;

reports, Lisa Jones and Candice Knight; and historians, Nicole Marks and Will Reinsfelder III.

Susan Richardson reported on the Third Annual Pennsylvania All-Breeds Dairy Convention Feb. 13-15 at Penn State University, where 18 club members and five chaperones attended workshops, including topics on computer website applications, ag careers, and dairy nutrition.

Upcoming club activities for this year include dairy judging, dairy bowl, "June is Dairy Month" promotion at a local grocery store, a fitting and showing workshop, local fairs, and shows



Airville Milk And Money 4-H Club 1998 Officers, Standing, From left, Will Reinsfelder, Barbara Richardson, Lisa Jones, Candice Knight, Nicole Marks, and Raechel Kilgore. Sitting, from left, Sara Greek, Susan Richardson, Christi Knight, and Erin Marks.

with member's dairy project animals. Other club activities include parades, a spring fundraisers, project tours, and group holiday parties.

For more information, contact club leaders Melvin and Barbara Marks at (717) 862-1742 or club president Susan Richardson at (717) 382-1495

Toastmaster Leadership Program

Eleven 4-H youth celebrated their graduation from the Toastmaster Junior Leadership Program recently at Skippy's Cilantro's Restaurant in Doylestown. The eight-week course focused on public speaking and meeting management and was taught by Doylestown toastmasters Vickie Aikens, Perkasia and Edurry, Warrington.

Acting 4-H President Emma Kaminski, Bensalem, introduced Tim Conniff, Toastmaster Club President to the group. The two 4-H speakers for the program were Lori Snyder, Upper Black Eddy, and Kristen Durning, Pipersville. Both teens spoke about their horses. Their speaking skills were critiqued by 4-H members Amber Zezeck, Chalfont, and David Rombold, Hatboro.

Short table topic speeches were presented by 4-H'ers, their parents, and siblings. Led by Aikens, each group created a different story about a bear, a circus, or the Wild West. Other 4-H members participating were Michelle Durning, Pipersville; Heather Gordon, Yardley; Michael Koehler, Dublin; Greg Little, Bensalem; Michael Suchodolski, Warminster; and

Dan Rombold, Hatboro.

Pat Freiler, Bucks County Cooperative Extension 4-H Coordinator, expressed appreciation to the Toastmaster Club volunteers. Each 4-H member received completion certificates from 4-H and Toastmasters.

For more information on this and other county 4-H programs, call the cooperative extension office at (215)345-3283.

Golden Fleece 4-H Club Elects Officers

Officers were elected at this year's first meeting of the Golden Fleece 4-H Club Feb. 15. The meeting was held at the Thompson home of leader Barb Cottrell.

Elected officers are as follows: president, Amanda Gaffey; vice-president, Jason Corey; secretary, Sarah Corey; treasurer, Nicole Harvatine; and news reporter, Karl McDonald.

The group discussed possible new times for the Harford Fair sheep shows. The two new members were shown sheep equipment as well as how to handle their sheep when showing them at the fair.

Born To Show Dairy Club

The Born to Show Dairy Club had its first meeting of the new 4-H year on March 14. Pledges were led by Brad Castrogiovanni and Amanda Hoover.

Elections were held and the new officers are as follows; president, Andrea Garner; vice president, Jeremiah Fearnley; secretary, Tiffany Gesford; treasurer, Ben Hibbard; historian, Amanda Hoover; callers, Shana Mack and Ben Hoover; and news reporter, Hilary Gesford.

Leader Steve VanKuren talked about some of the club's members, including Andrea Garner who received the award of Outstanding 4-H'er, and Ben

Hibbard who is one of the five ambassadors from Susquehanna County. All members participated in a cow judging contest sponsored by Hoard's Dairyman. Andrea adjourned the meeting and refreshments were served.

The next meeting will be held April 11 at 7:30 p.m. at the Montrose Presbyterian Church.

Lancaster County 4-H Woolies Club

The Lancaster County 4-H Woolies Club held its reorganizational meeting on Monday, March 16, at the Lancaster Farm and Home Center. The meeting was called to order by last year's president, Travis Douough. The pledge of allegiance was led by Joelynn Douough and the 4-H pledge was led by Sara Boyd.

Project books were handed out. The Woolies Club Roundup will be held Thursday, August 13, at the West Lampeter Fairgrounds

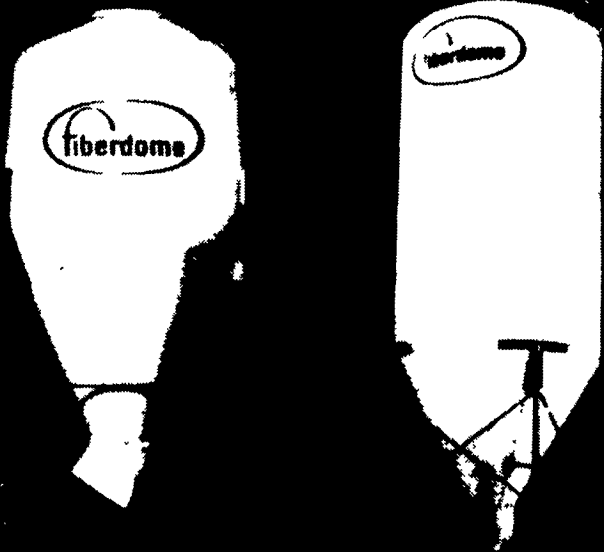
Election of officers was held as follows: president - Jessica Schmidt, vice president - Radell Peters; secretary - Sarah Boyd, assistant secretary - Ashley Funk, Treasurer - April Leaman, assistant treasurer-Sarah Zurin, news reporters - Derick Bollinger and Joelynn Donough, social chairman - Andrew Gerhart, Holly Hoover, and Allison Hughes



Why settle for 2nd best - when Fiberdome now manufactures the most advanced fiberglass bulk bin available!

- Eliminates bridging, won't rust or corrode
- Cuts heat buildup and condensation
- Feed stays fresh in any weather
- Precision engineered for long, long life
- Unique 5-year warranty
- Adaptable to any auger or feeding system

Capacities from 2.5 ton to 30 ton
(Tonnage based upon 40 lb. density) Industrial Bins Available



(2' - 10 Ton)

(11-30 Ton)

Write for a full color brochure and a free sample of fiberglass - The modern material used for high-performing bins

...made to last
Contact your nearest dealer.



SOLLENBERGER SILO
Chambersburg, PA
717-264-9588

DETWILLER SILO
Newville PA
717-776-6321

SOMERSET BARN EQUIPMENT
Somerset PA
814-445-5555

FARMER BOY AG SYSTEMS
Myerstown PA
717-866-7565
or 1-800-845-3374

HOOVER EQUIPMENT
Tyrone PA
814-684-1777

McMILLEN BROTHERS
Loydsville PA
717-789-3961

CEDAR CREST EQUIP.
Lebanon PA
717-270-6600

PO Box 11 • Lake Mills, WI 53551
(414) 648-8376

THIS IS NOT A TEST...

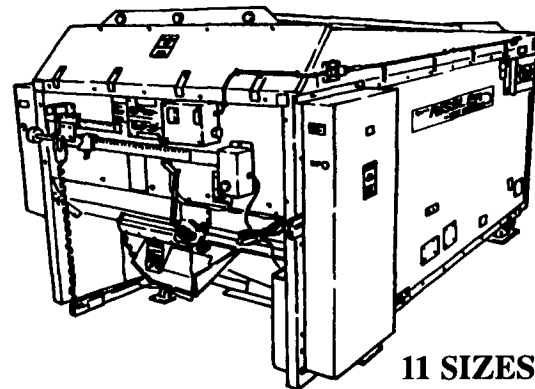
These questions will provide valuable information for the time you will be considering your next Feed Mixer.

1. *Who else uses 3/16" and 1/4" stainless steel on auger troughs?
2. *Who else uses stainless steel for the floors as standard?
3. *Who else uses 1/10" inside and .065 outside high density poly coated 1" plywood for their mixing box?
4. *Who else uses 1/2" and 5/8" stainless steel pins with large heads on their mixing chains?
5. *Who else uses welded steel chains with 5/16" and 3/8" side bars?
6. *Who else uses 3/8" and 1/2" flighting on all of their augers?
7. *Who else has a 10 year limited warranty on their mixing box?
8. *Who else has any machines in service for 15 years with very little repair and maintenance costs?
9. *Who else builds a mixer that still gives a near perfect mix, even with worn parts?
10. *Who else builds a mixer complete with safety shut off cables and contactor prewired for service?

You need a TMR Mixer that meets these standards!

You need a
RISSLER TMR MIXER

- * RUGGED *
- * EFFICIENT *
- * ECONOMICAL *



11 SIZES

RISSLER
MANUFACTURING

448 Orchard Road
Mohnton, PA 19540
717-484-0551