

### ECCO INC

4021 North Sixth Street -  
Harrisburg, PA 17110-1099  
Phone 717-238-8423 - Fax 717-238-7635

**50th ANNIVERSARY  
1948-1998**

MODEL	RPM	GPM	\$
<b>Gorman Rupp:</b>			
63A3G	540	400	1850
64B2G	540	500	2350
64B2GA	1000	550	2350
66D2G	1000	750	3000
<b>Berkeley-Izuzu</b>			
B66010/6BDIPW400	1000		6950

**MILLER XMT 300 MIG WELDER**  
XRA Controller Feeder, Cable Lugs, Tips  
Connectors. Used 6 months  
**\$2,500**

**ELLIS MITRE SAW**  
Band Saw with Table, Model 1100,  
Vertical table & guard  
**\$1,050**

**24 Ft. Aluminum Flatbed  
Trailer. Loaded. Used 6 Months.**  
New \$9,400  
**SALE PRICE \$5,200**  
CALL TODAY.

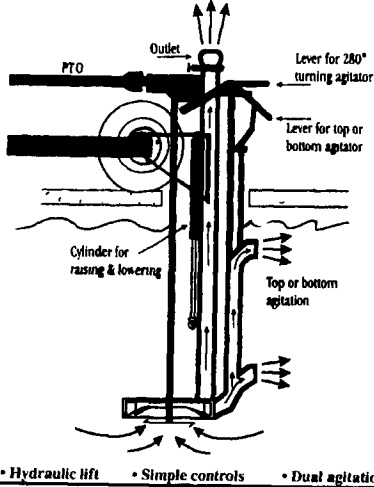
### USED TRACTORS

- IH 1066 Cab.....\$8,900
- IH 686 Fender.....\$8,900
- IH 1466.....\$9,200
- Case IH 5140, 1400 hrs, Very Sharp.....\$29,500
- IH 806 Engine Rebuilt.....\$7,900
- JD 855 Tractor, 2WD, w/Loader, Showroom Cond.....\$9,900
- IH 966.....\$8,900
- IH 826 Cab, Nice!.....\$8,750
- IH 1066 Cab & Air.....\$10,900
- IH Hydro 84 w/2200 Loader, Needs paint.....\$7,500

### USED EQUIPMENT

- Case IH 520 loader, like new, self-leveling, bucket w/  
valve.....\$5,700
- NH 565 Baler (like new).....\$7,800
- New Idea 323 Corn Picker (like new).....\$3,000
- NH 402 Crimper.....\$1,000

### Liquid Manure Pit Pumps



• Hydraulic lift • Simple controls • Dual agitation



**MILLER'S REPAIR**  
1 Mile North of Bird in Hand  
8 Miles East of Lancaster  
Ph. 717-656-6109

# Firestone

F A R M T I R E S

THE LEADER IN THE FIELD



Sold and Serviced in South Jersey By:  
**TRANSPORT TIRE CTR.**  
on Your Farm, or at Our Shop  
24 Hr. Emergency Service, Calcium Pumping, and  
Quality Repairs

Located at: 1210 Harding Hwy. (US 40)  
E. of Woodstown, New Jersey  
Shop Hrs. 7:30-5:30 M-F, 8-12 Sat.

Call: 609-769-2161

# Take Steps

Toward These Timely Values

GET DOWN TO  
YOUR MASSEY  
FERGUSON  
DEALER FOR  
INCREDIBLE  
DEALS ON PARTS

**MEYER'S  
IMPLEMENT, INC.**  
Greencastle, PA  
717-597-2176

**LINCOLN SUPPLY &  
EQUIPMENT**  
Somerset, PA  
814-443-1691

**PEOPLES SALES  
AND SERVICE**  
Oakland Mills, PA  
717-463-2735

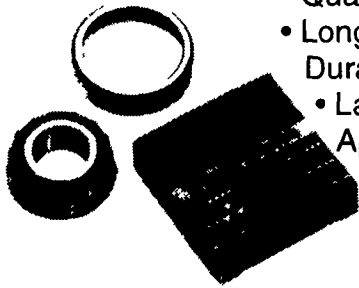
**FIELDS IMPLEMENT  
STORE**  
Eighty Four, PA  
412-222-1154

**M.M. WEAVER &  
SONS, INC.**  
Leola, PA  
717-659-2331

**RODIO TRACTOR  
SALES**  
Hammeton, NJ  
609-361-0141

**LONGENECKER'S,  
INC.**  
Williamsburg, PA  
814-793-3731

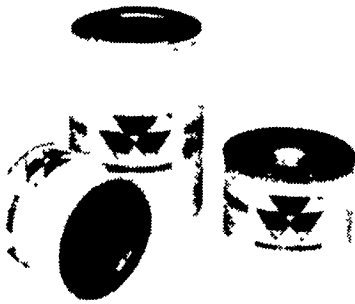
## MASSEY FERGUSON® BEARINGS



- Quality OEM Product
- Longer Wear and Durability
- Large Selection for all Applications

## MASSEY FERGUSON® FILTERS

- Our filters are 99% guts
- Designed for heavy duty applications
- Made to OEM specifications



## MASSEY FERGUSON® LUBRICANTS



- Premium Quality
- Custom Additives
- Meet/Exceed OEM specs
- Protect your warranty

## AG INDUSTRIAL INC.

50 North Greenmont Road, Rising Sun, MD 21911  
410-658-5568 800-442-5043



N.H. 2115 Forage Harvester, 4WD, 960 Hours, N H 360 N4 4-Row Corn Head, N H 340W Windrow Pickup, Real Sharp



Case 385 Tractor-Loader, Less Than 700 Hours, Real Nice

### TRACTORS & LOADERS

- Ford 5000 Gas
- Ford 650 Gas
- Ford 1520 23 HP 4WD
- Ford 841 Gas
- Ford 4630 55 HP
- Ford 5000 Tractor w/ Cab
- Ford 6610, 72 HP
- Ford 6640S, 76 HP
- Ford 7710 2WD, 86 HP
- Ford 3000 Tractor
- Ford 655 TLB 4WD, Cab w/A/C
- Ford 345 C w/Loader
- Ford 550 TLB, 2WD, Cab
- Ford 777 B Loader Attachment
- NH L455 Skid Steer
- NH LX 665 Skid Steer
- NH L553 Skid Steer
- (2) NH L555 Deluxe Skid Steer
- (2) NH L785 Skid Steer
- AC 5040 Tractor
- AC 6080 Tractor
- AC 6080 w/Loader
- Bobcat 641 skid steer
- Case 580B Tractor Loader
- Case 1835-B skid steer
- CIH385 TL, 2 WD
- Cub 154 Lo-Boy
- Deutz 1920 L&G Tracto w/60" Deck
- Int. 656 Gas Tractor
- JD F912, Frt Cut Mower w/60" Deck
- Kubota L3750 TL, 2WD.
- Kubota G5200 w/48" Mower, 14 HP
- Mitsubishi 650G Tractor w/ Front Blade
- Yale Forklift, 5000 Lb Lift

### HAY & FORAGE

- NH 273 Baler w/54 thrower
- NH 2115 Self Propelled harvester
- NH 1495 Haybine, Gas, Hydro
- NH 276 Baler w/58 thrower
- NH 258 Rake
- NH 269 Baler w/54A thrower

- NH 320 Baler
- NH 415 Discbine w/Swivel Hitch
- (2) NH 411 Discbine
- (2) NH 463 Disc Mower
- NH 495 Haybine
- (2) NH 499 Pivot Tongue Haybine
- NH 575 Baler
- NH 716 Forage Wagon
- NH 1033 Bale wagon
- NH 1034 bale wagon
- NH 770 Harvester 2RN & WPU
- NH 849 Round Baler
- NH 855 Round Baler
- NH 890 Harvester
- NH 892 Harvester
- NH 939 N4 Corn Head
- NH 2 RN Snapper Head
- Badger BN950 Forage Wagon
- CIH 8455 Round Baler
- CIH 8420 Round Baler
- Deutz 360 Rake
- Hesston 1010 Hydroswing Haybine
- Hesston 1120 9' Haybine
- Hesston 1150 12' Haybine
- Kuhn GMD 66 HD Disc Mower
- MC Rotary Scythe

### MISCELLANEOUS

- NH 510 Spreader
- NI 213 Manure Spreader
- NI 245 Manure Spreader
- BH 257 7" Rotary Mower
- Case Int. 475 12' Rock Flex Disc
- Cub 41/2' Pull Type Disc
- Brillion 12' Packer w/ (2) 5' Pups
- JD 3 Bottom Plow
- JD 4 Bottom Plow
- Pittsburgh 6' Rotary Mower
- Bolens ST120 lawn tractor
- Ber-Vac 24' Field Cultivator
- Cushman 5' front cut mower
- Vermeer TS60 truck mount tree spade



NH LX 665 Skid Steer Loader, 1994, Air, Boss Tires



NH 716 Forage Box w/12 1/2 Ton Tandem Axle Gear, Real Sharp

**MASSEY-FERGUSON Your #1 Source For Parts!**