

# PRODUCE ♦ MARKETS

## Phila. Veg.

PHILADELPHIA Terminal  
Prices as of 01-APR-98

Provided by: Fruit and Vegetable Market News, Federal-State Market News Service, USDA.

Phone: (215) 597-4536 Fax: (215) 336-0355

PARTLY CLOUDY 62-81  
NA-FV020

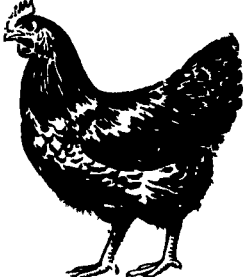
**VEGETABLES** ---ARTICHOKES: MARKET ABOUT STEADY ctns CA 18s few 25.00 24s few 25.00 fair cond 11.00-12.00 previous commitments 9.00 30s fair cond 10.00 lge lse few 17.00 --- ASPARAGUS: MARKET ABOUT STEADY pyr ctns/crts 28 lb bchd CA exlge 32.00-34.00 lge 32.00-34.00 few 35.00 fair cond 28.00-30.00 std 32.00-34.00 sml 30.00-32.00 few 34.00 MX lge 33.00 ord cond 15.00 std 33.00 ord cond 15.00 11 lb ctns/crts bchd CB lge 13.00-14.00 std 13.00-14.00 15 lb ctns bchd MX tips 15.00 ---BEANS: OFFERINGS LIGHT bucn/crts FL Round Green Type 22.00-25.00 mostly 24.00-25.00 Handpicked 28.00 ---BEETS: MARKET STEADY ctns bchd TX 12s 9.00-10.00 25 lb sks lse TX 7.00-8.00 mostly 7.00 50 lb sks lse TX 12.00 ---BROCCOLI: MARKET ABOUT STEADY ctns AZ bchd 14s 9.00-10.00 CA bchd 14s 8.00-9.00 few 10.00 bchd 18s 9.50 20 lb ctns lse AZ Crown Cut 12.50 ---BRUSSELS SPROUTS: MARKET ABOUT STEADY 25 lb ctns MX sml 8.00 ---CABBAGE: MARKET GREEN LOWER, OTHERS ABOUT STEADY 1 3/4 bucn/crts & 50 lb ctns FL Round Green Type med 8.00-9.00 few 10.00 Red Type med 11.00-12.00 GA Round Green Type med 8.00 TX Round Green Type med 8.00-9.00 Red Type med 10.00-12.00 50 lb sks NY Round Green Type lge 7.50-8.00 1 3/4 bucn/crts & 40 lb ctns FL Savoy Type med-lge 10.00-12.00 few 13.00 TX Savoy Type med-lge 12.00 ---CARROTS: MARKET ABOUT STEADY sks 48 1-lb flmbgs CA Topped med-lge 11.00-12.00 few higher fair cond 10.00 FL Topped med-lge 9.50 few 11.00 sks 24 2-lb flmbgs CA Topped med-lge few 12.00 sks 16 3-lb flmbgs CA Topped med-lge few 12.00-12.50 sks 10 5-lb flmbgs CA Topped med-lge few 12.00-12.50 50 lb sks lse CA Topped jbo

12.00-15.00 mostly 12.00-13.50 CD Topped jbo 9.00-10.00 few 8.00 FL Topped jbo 9.50-10.00 ctns bchd CA Bunched 24s 11.00 ctns 24 1-lb flmbgs CA Baby Peeled 16.50 ctns 20 1-lb flmbgs CA Baby Peeled 15.  
00 ctns 12 2-lb flmbgs CA Baby Peeled 16.50 ctns 4 5-lb flmbgs CA baby peeled 13.00 ---CAULIFLOWER: MARKET SLIGHTLY HIGHER ctns flmwrpd AZ 12s 10.00 CA 12s 9.00-10.00 few 10.50 fair cond 6.00-8.00 16s 8.00 ---CELERY: MARKET ABOUT STEADY ctns CA 1 1/2 dz 16.00 2 dz 16.00-17.00 mostly 16.00 fair qual 13.00 2 1/2 dz 16.00-17.00 fair qual 13.00 3 dz 15.00 flmbs 30s 18.00 FL 2 dz 14.00 2 1/2 dz 13.00-15.00 mostly 14.00 3 dz 13.00 ctns flmbgs CA Hearts 18s ord cond 5.00 ---CHINESE CABBAGE: MARKET ABOUT STEADY celcrts FL few 14.00-15.00 30 lb ctns CA Nappa 15.00 50 lb ctns CA Nappa 15.00-18.00 ---CORN-SWEET: MARKET ABOUT STEADY wbcrts FL Yellow 4 dz min 13.00-14.00 fair cond 10.00 White 4 dz min 13.00-14.00 fair cond 10.00 ---CUCUMBERS: MARKET ABOUT STEADY flts/ctns flmwrpd CD CDOne Long Seedless med 12s 7.00 WAXED 1 1/9 bucn/crts FL med fr qual 20.00 ord qual 15.00 MX med ord qual 14.00-16.00 ---EGGPLANT: MARKET SLIGHTLY LOWER 1 1/9 bucn/crts wrpd FL med 12.00 fair qual 8.00 ctns/crts wrpd MX 18s 10.00-12.00 24s 10.00-12.00 mostly 10.00-11.00 11 lb ctns NL Italian 17.50 ---ENDIVE: MARKET ABOUT STEADY 1 1/9 bucn/crts FL 9.00 ctns CA 24s 10.00 10 lb ctns BL Witloof 10.00 ---ESCAROLE: MARKET ABOUT STEADY 1 1/9 bucn/crts FL 9.00 ctns CA 24s 10.00 ---GARLIC: MARKET SLIGHTLY LOWER 30 lb ctns CA White super col 31.50-33.00 col 30.00 super jbo 28.50 22 lb ctns/crts AG White col 25.50 super jbo 24.00 #7 26.00-28.00 ---GREENS: MARKET ABOUT STEADY ctns bchd AZ Kale 24s 10.00 CA Swiss Chard 12s 10.00 Red 12s 10.00 TX Swiss Chard 12s 8.00 ctns/crts bchd GA Collard 24s 8.00 Kale 24s 10.00 Rape 24s 10.00 NC Collard 8.00 Turnip Tops 10.00 NJ Dandelion 24s 12.00 TX Collard 24s 8.00 Mustard 24s 9.00-10.00 ctns lse CA Kale Flowering 24s 18.00 20 lb ctns MX Broc-

coli Rabe 24s 13.00 ---LETTUCE-ICEBERG: MARKET SLIGHTLY HIGHER ctns AZ 24s 9.00-10.00 mostly 10.00 few 11.00 few 8.00 Wrapped 24s 12.00 few 12.50 30s 10.00 fair cond 7.00-8.00 ---LETTUCE-OTHER: MARKET ABOUT STEADY ctns AZ Boston 24s 10.00 Green Leaf 24s 9.00-11.00 mostly 10.00-11.00 few 12.00 Red Leaf 24s 8.50-11.00 mostly 10.00 few 12.00 FL Bibb 24s 7.00 3 lb ctns CA Mesculin Mix 8.00-8.50 fair cond 4.00-5.00 poor cond 1.00 ---LETTUCE-ROMAINE: MARKET SLIGHTLY HIGHER ctns AZ 24s 9.00-10.00 few 10.50 occ higher fair cond 7.00-8.00 1.3 bucn/crts AZ 24s 11.00-12.00 mostly 12.00 ---MUSHROOMS: MARKET STEADY 10 lb ctns PA lge 11.50-12.50 mostly 12.00 med 8.50-9.50 mostly 8.50-9.00 4 qt bkts PA med-lge 5.00-5.50 mostly 5.00 sml-med 4.00-4.50 mostly 4.00 5 lb ctns PA Cremini 7.00 Portobellas 6.50-7.50 few low as 6.00 3 lb ctns PA Shiitake 11.00-13.00 fair qual 9.00-10.50 ctns 12 8-oz trays flmwrpd PA 8.00 ctns 10 12-oz trays flmwrpd PA 8.50-9.00 ctns 10 10-oz trays flmwrpd PA 7.50-8.00 mostly 8.00 ---OKRA: OFFERINGS INSUFFICIENT TO QUOTE ---ONIONS GREEN: MARKET ABOUT STEADY ctns bchd MX 48s 7.00-8.00 some incl fair cond low as 6.00 ctns/crts bchd CA Leeks 12s 10.50 FL Leeks 12s few 15.00 MX Leeks 12s 10.00-12.00 NJ Leeks 12s 12.00 ---PARSLEY: MARKET SLIGHTLY LOWER crts bchd FL Curly 60s 10.00-11.00 Plain 60s 10.00-11.00 ctns bchd CA Curly 30s 9.00 Plain 30s 7.00 TX Curly 60s 11.00 Plain 60s 11.00 Root 12s few 14.00 ---PARSNIPS: 20 lb flmbgs lse CD 12.50-13.00 few 14.00 ---PEAS GREEN: MARKET LOWER 10 lb ctns GU Snow

Peas Decalxyzd 10.00-13.00 few 15.00 Sugar Snap Peas Decalxyzd 12.00-15.00 few 18.00 fair cond 10.00 ---PEAS OTHER: OFFERINGS INSUFFICIENT TO QUOTE ---PEPPERS: MARKET GREEN HIGHER, OTHERS ABOUT STEADY 1 1/9 bucn/crts FL Bell Type Green jbo 17.00 exlge 16.00 fair cond 12.00 lge 14.00 fair cond 10.00-12.00 med 11.00 sml 10.00 very sml fair qual 5.00-6.00 Mxd Red And Green lge 8.00-10.00 mostly 9.00-10.00 Red exlge 22.00 med 17.00 15 lb ctns MX Bell Type Red exlge 16.00 5 kg ctns IS Bell Type Red 80-100mm 22.00 NL Bell Type Orange 80-100mm 30.00 Yellow 80-100mm 31.00 ---PEPPERS OTHER: 1 1/9 bucn/crts FL Cubanellas med-lge 15.00 fair cond 12.00 ---RADISHES: MARKET STEADY ctns tpd 30 6-oz flmbgs FL Red 7.00 ctns tpd 14 1-lb flmbgs FL Red 7.50 ctns bchd MX Red 24s 8.00 ---RHUBARB: OFFERINGS INSUFFICIENT TO QUOTE ---RUTABAGAS: 50 lb ctns CD CDOne med 7.00-8.00 ---SPINACH: MARKET SAVOY TYPE LOWER, FLAT TYPE ABOUT STEADY ctns bchd AZ Flat 24s 12.00 Flat ctns 4 2.5-lb flmbgs CA 16.50 1 2/5 bucn/crts bchd CA Flat 24s 14.00 ctns NC Savoy 8.00-9.00 ---SQUASH: MARKET ZUCCHINI ABOUT STEADY, YELLOW STRAIGHTNECK OFFERINGS INSUFFICIENT TO QUOTE ctns/lugs MX Zucchini sml-med 8.00-10.00 few 7.00 med 6.00-8.00 mostly 7.00 Yellow Straightneck sml-med few 18.00 fair cond

8.00-10.00 med few 16.00 ---SWEET POTATOES: MARKET STEADY CURED 40 lb ctns NC U.S. One Jewels med 11.00 ---TOMATOES: MARKET ABOUT STEADY 25 lb ctns FL U.S. Comb or Better Mature Greens pink-light red 5x6s 13.00-14.00 few 15.00, 6x6s 11.00-12.00 Local Repack 85% U.S. One or Better Mature Greens pink-light red 5x6s 17.50 6x6s 16.50 flts 2 lyr MX Vine Ripes light red-red 4x5s 13.00 5x5s 11.00-12.00 5x6s 9.00-10.00 5 kg flts BL Vine Ripes red lge 21.00 (clusters) 7 kg flts NL Vine Ripes red 82-102mm 22.00 ---TOMATOES, CHERRY: MARKET ABOUT STEADY flts 12 1-pt bkts FL light-red 10.00-11.00 MX light-red 10.00 fair cond 7.00-9.00 ---TOMATOES, PLUM TYPE: MARKET ABOUT STEADY 25 lb ctns FL light red-red 12.00-14.00 mostly 13.00 MX light red-red 11.00-12.00 ---TURNIPS: 25 lb sks NJ Purple Top med few 7.00



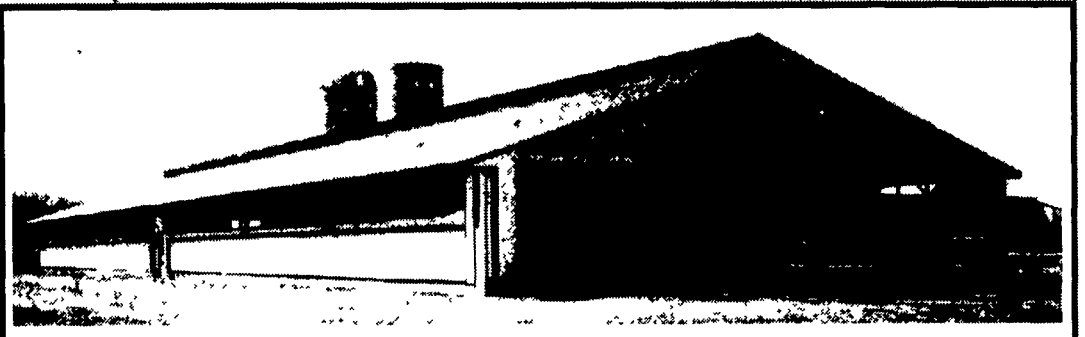
**Help in Buying ANGUS**  
as close to you as  
301/271-2767  
Just pick up the phone and call. Or drop a note. I'll be happy to talk over the type and kind of Angus for your needs - and help you find them. No obligation. Call or write me today. **BILL POWELL**, Regional Manager American Angus Association. Call 301/271-2767 Box 295, Thurmont, MD 21788

**ATTENTION!**  
**609 Tobacco Growers**  
We will be receiving tobacco to be processed the next 4 business days.  
Mon., Apr. 6, Tues., Apr. 7, Wed., Apr. 8, Thurs., April 9, from 8-5 DST.  
Call for any information or to make a delivery appointment.  
**Penn Leaf Tobacco Company**  
661 Vintage Rd., Christiana, PA 17509  
**610-593-6729** Mon.-Fri. 8-9 am or leave message

**CONESTOGA VALLEY ENTERPRISES**  
HI-MAG Agricultural Lime Spreading HI-CAL  
  
Cash Discount Savings on Delivery  
Call Toll Free day and evening  
**1-800-724-3277**  
Serving PA, MD, Delmarva, NJ, NY & (LI)

# KEYSTONE CONCRETE PRODUCTS INC.

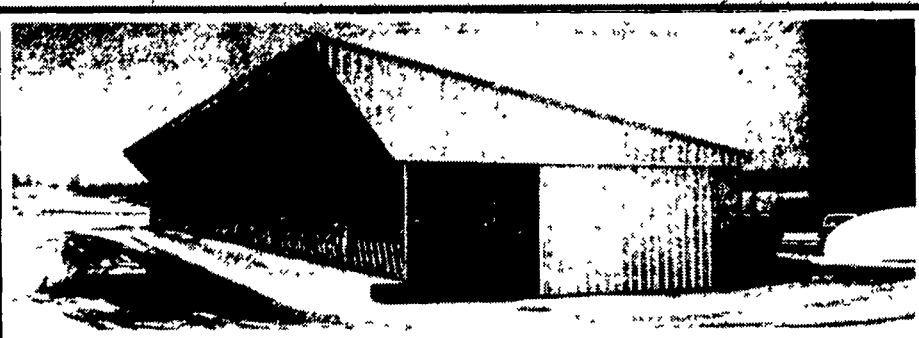
477 East Farmersville Rd.  
New Holland, PA 17557  
**(717) 355-2361**



**Concrete Slatted Free Stall Barn**



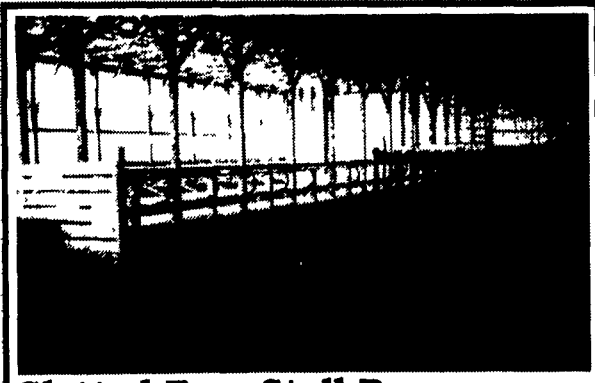
**Slatted Beef Barn**



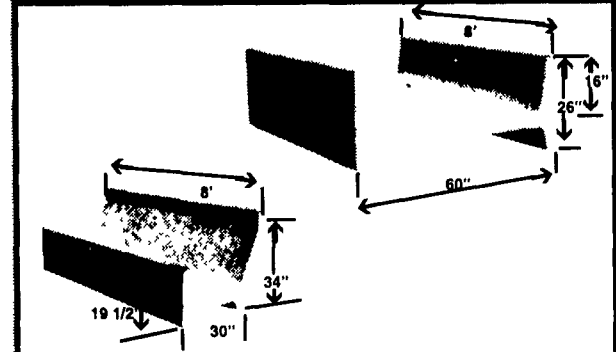
**Slatted Heifer Barn**



Precast Concrete Bunker Silos or commodity buildings built to suit your needs. Bunkers available in 8 Ft. or 12 Ft. High



**Slatted Free Stall Barn**



**Concrete Feed Bunks**