

**MAILBOX MARKET FOR SALE**

Ingersoll Rand mobile air compressor on tracks, also Wisconsin engine with Lindsay compressor, 150 CFM with manuals 717-966-2486 Union Co

12x60 mobile home - \$1800 OBO Gooseneck rocker - \$200 Aluminum storm windows 28 5"x58" - \$25 Wooden windows 28 5"x57" - \$10 pair 717-286-9327 Northumb Co

Bart fireplace insert, thermostatically controlled fan, puts out lots of heat, cost \$950 new, sell \$500 Eves 717-445-9461 Lancaster Co

AMSEC, ASF6030E, AS1335075 \$995 Bill Dawson 610-469-1189

Beautiful purebred Saanan kids, purebred Romney rams, purebred Saanan year old billy, very friendly, all very nice stock 717-993-9056 York Co

12hp Deutz Allis riding mower, front mount mower deck, hydro, grass catcher, excellent cond 717-445-6142 Lancaster Co

Mixed puppies mother is Collie, Rottweiler mix, cute, ready to go 3/23 - \$20 David Blank, 574 Gibbons Rd, Bird-In-Hand, Lanc Co

40 gallon electric water heater - \$150 Used very little 717-768-0670 Lancaster Co

Ferguson plow, 2-16" bottoms - \$400 Novo 4cyl poewr unit, loose but not running, 3 25x4, stored inside - \$250 717-834-3148 Perry Co

2-20 8x42 tires, 3/4-tread - \$400pr 3-NH 489 knives - \$40ea Front bumper and weight holder for IH 74-84, 85-95 tractor 610-286-9291 Chester Co

Llamas males and females, beautiful fiber, great dispositions, halter trained, call for more information Also, Mini-rex rabbits 717-732-1818 Cumberland Co

Ten year old Standardbred horse, man's horse - \$2400 OBO 1-Potbellied pig for sale Call between 6-6 30pm 610-857-5612 Chester Co

Onan generator, 12 5 kw, S/3 phase, natural gas, complete, automatic transfer switch - \$3500 Water pumps, 2" in, 2" out 717-593-9298 Franklin Co

Pygmy goat kids, male and female, various colors, very cute and friendly, born end of year 717-838-9413 Lebanon Co

JD 8350 DD 18x7 grain drill, A1 cond 717-776-5870 Cumberland Co

IH510 graindrill, 18x7, w/grass seeder & press wheels 200g field sprayer with almost new pump & controls 717-966-1724 Union Co

Barley straw \$125 ton Also wanted old feed blower truck with dump Call anytime except Sunday 717-865-5470 Lebanon Co

Brillion cultipacker seeder 8ft 3pt dual box wheel rakes 33 acres on meter - \$3000 5pm to 9pm 973-875 1597 Sussex Co, NJ

Perry county 15 acres 3 bedrooms 3 baths corner whirlpool road frontage & small stream - \$165,000 717-582-8777 Perry Co

Hay wagon 8'x16' wood sides Smoker 24' hay elevator Both in good shape 717-469-0834 Dauph Co

Vermeer stump grinder 28" wheel com size, good cond, new teeth - \$3150 717-436-6488 Juniata Co

International model 100 sickle bar mower, less than 10 hours on rebuilt wobble box - \$600 OBO 717-862-1820 York Co

1983 Western Star, rebuilt, 400B Cat breaksawer, 15spd direct trnas, 4800lb reals, 48" SLPR top of cab rough 609-875-4535 Camden Co NJ

NH 311 hayliner baler, SS, #70 thrower, hydraulics, electric cab control, used very little, shed kept - \$7800 717-248-8664 Mifflin Co

Weed Badger, Model SM100, in the row tiller - \$3000 or best offer 724-547-4760 Westmoreland Co

Row-boar, wood, 16' long, 4' wide, good condition 610-932-2316 Chest Co

Skinner tree planter, excellent condition - \$1500 717-759-0679 Colum Co

1949 JD Cyclone, A-nice 1965 Brockway conventional tractor, wooden wagon, wood wheels Geo Seiple Consignment Sale, 3/24/98 610-266-1572 Northampton Co

Oliver 16" 5-bottom semi-mount field ready - \$800 or trade for other hay equipment After 6pm 609-478-6128 Gloucester Co

1982 Jayco pop-up camper - \$750. South Bend heavy ten lathe - \$1350 Also, extra thread dial, saxophone Yamaha - \$350 717-764-2038 York Co

John Deere tractor & 39 inch mower, nice shape - \$950 717-733-6804 Lancaster Co

Nice bright, clean wheat straw, 37-41lb bales - \$2 per bale and two 7"x18" l beams. 717-637-0589 York Co

Dixon mower model ZTR3303, 10hp, brand new, delivered to NH Sales - \$1500 860-564-2579 CT

Large stack used lumber, various lengths & sizes, kept in the dry - Best Offer 215-343-6856 Bucks Co

Old barn beams, oak, chestnut, yellow pine, some 30ft long Call after 7pm 410-666-2316 Baltimore Co, MD

1969 Camaro, complete parts - offer 1974 Monte Carlo, decent body - \$50 Storm windows, screens, 40 3/8, 59 1/2 - \$10/ea 610-932-2453 Chester Co

JD 60, 3ph, ps, live pto and hyd, nice overall cond, many extra parts - \$2700 OBO. 610-863-7370 Northampton Co

AKC black Cocker Spaniel pups. Also, pygmy goat kids and Jenny miniature Sicilian donkey, 10 moths old 610-287-8560 Montgomery Co

Mack B61 tandem dump, 44,000 rears, runs and dumps, needs clutch, cab vgood, no title - \$1500 OBO 610-268-8239 Chester Co

Tires, 6 00x16, 6ply, 40/pr, Catalytic converter & manifolds with crossover, new for 350 Chevy - \$75 76 Yamaha 400 - \$200 717-687-0743 Lancaster Co

IH # 10 bale kicker - \$150 Farmall BN - \$900 IH 234 mounted corn picker - \$125 3pt lift - \$50 814-735-4898 Bedford Co

JD7000 corn planter, dry fert, wide row markers, insect boxes, field ready - \$3950 Can delivery. 814-472-8068 Cambria Co

Commercial 2-way base & car radios, GE, Phoenix, SX-Multi channel, new cowboy boots 10-D, 10Chp hyd pump, chain hoist 610-865-4635 Northampton Co

John Deere F845 three bottom, 16" rollover plow, good condition - \$3150 717-626-6592 Lancaster Co

Nubian-Alpine mixed goats, 2 milking nannies - \$125 each 3 kids, 2 males, 1 female, white/brown - \$60 each 717-354-7317 Lancaster Co

Tire bender, swage-block, for ladels, post drill press (Champion-Lancaster) 717-797-3793 North'd Co

JD494 corn planter - \$295 14' cultipacker - \$375 GlenCo field cult - \$325 Grove bale wagon - \$295 Pequea 710 PTO tedder 717-653-5926 Lanc Co

Gravelly pro 50" mower, 17hp, Kawasaki electric start - \$950 Befco 42" three point tiller, like new - \$850 717-445-7189 Lancaster Co

Jaeger Load plus - \$2000. Plow shears, two Ford left hand 109217, four Oliver R-12-S, NH271 wire baler - \$400 215-536-3308 Bucks Co

JD 1240A 4-row corn planter, dry fertilizer, insecticide oppers, good condition. Drag elevator, FM135 front end loader. 717-935-2573 Mifflin Co

7 5 hp Lincoln electric motor, 3 phase - \$200 OBO Menno Peachey, 864 Mt Rd, Belleville, Pa 17004

1985 Ford pickup, 4wd, 5 8L automatic, 6' bed stepside, red and silver, new tires/battery, nice clean truck 717-532-7720 Cumberland Co

Registered polled Hereford bulls, nice EPDs, ready for herd duty 717-532-4423 Cumberland Co

1986 Isuzu pickup, 2wd, 4cyl, 4spd, w/bed liner, inspected, runs good - \$795 717-367-2869 Lancaster Co

1985 Ford 4610 tractor, 52hp, canopy weights, 1688 hours, shed kept - \$8900. 717-248-8664 Mifflin Co

78 Volvo truck, cab and chassis, good rear and trans, 6cyl, diesel, needs work Call after 4pm. 717-294-3712 Fulton Co

21 Aluminum triple track storm windows with screens, 28 75"x46to67L - \$10 each Hood, front bumper for 90 Dakota 610-286-9682 Berks Co

Tobacco dust, for a greener lawn, apply now 717-786-5001 Lancaster Co

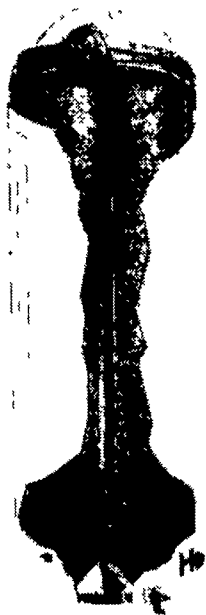
8 young Angus Hereford cross cows, bred for spring Call evnings 215-776-8130 Bucks Co

JD F845, 3-16 rollover plow, 10-tooth chisel plow, 3pt; Smoker corn drag 717-653-5709 Lanc Co

Case Maxxum 5120 cab, 2wd, 1550h, like new, in & out, 3 REM power shift, barn kept - \$26,900 609-825-1445 Cumb Co, NJ

**J-STAR YOUR ALL-IN-ONE FARMSTEAD EQUIPMENT SOURCE**

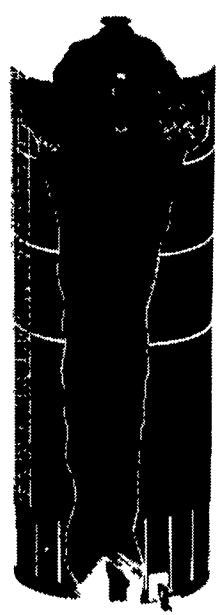
**Silo Unloader Technology Takes a Giant Leap Forward!**



**SIMPLY THE BEST!**  
You know tower silos are the best way to store feed. Now Jamesway® gives you the best way to fill and feed fast, with great reliability. Plus, you get:

- Better Feed Quality
- More Feed Storage
- A Clean Chute

The all-new industrial-design Big Jim QUANTUM System can be installed in any type of 20' to 30' forage silo. . . conventional or oxygen limited. And since it requires little maintenance and has no doors to change, you eliminate trips up and down the silo



CALL US TODAY FOR A VIDEO AND BROCHURE.

The Silo Unloader Experts



LEASE IT TODAY WITH ONE PAYMENT DOWN!

**America's Best!**

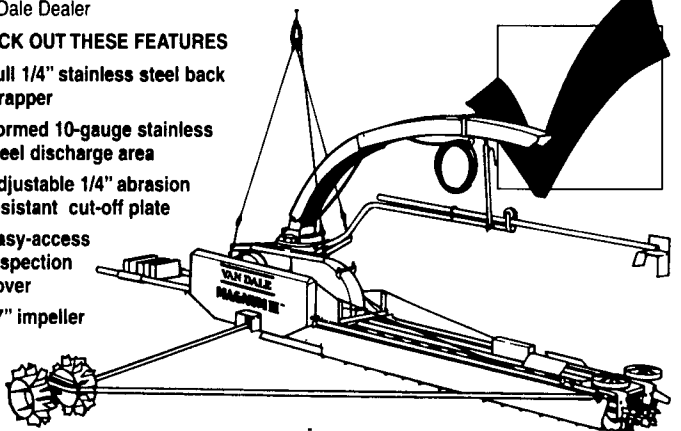
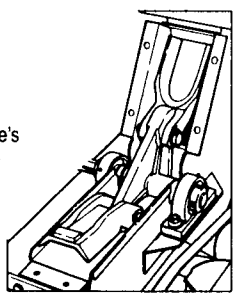
**MAGNUM II™ SURFACE DRIVE SILO UNLOADER**

America's best selling silo unloader just got better! Van Dale's been writing the book on silo unloading technology for more than 45 years. And Van Dale invented and perfected the surface drive unloader. Now it's time to introduce the next generation. The MAGNUM II!

The new MAGNUM II features a brand new Hi-Perform™ Impeller which adds more "throw-power" than ever before. Check it out and then check in with your Van Dale Dealer.

**CHECK OUT THESE FEATURES**

- ✓ Full 1/4" stainless steel back wrapper
- ✓ Formed 10-gauge stainless steel discharge area
- ✓ Adjustable 1/4" abrasion resistant cut-off plate
- ✓ Easy-access inspection cover
- ✓ 27" impeller



**THE VAN DALE ADVANTAGE**

**VAN DALE® Dependability through Quality**

- **CABLE ALLEY SCRAPER**
- **WASTE HANDLING EQUIPMENT DUMPS - TANKS - TILLAGE APPLICATOR**
- **FEED HANDLES BELTS - FEEDERS - CONVEYORS**

**See These Dealers For Details Now...**

- |  |   |   |  |  |   |
|--|---|---|--|--|---|
| <p><b>FRANKLIN'S FARM SERVICE</b><br/>Laceyville PA 717-869-2407</p> <p><b>HARRY TROOP</b><br/>Cochranville PA 19335<br/>215-593-6731</p> <p><b>HISTAND'S FARM &amp; HOME SERVICE</b><br/>Rome PA 717-744-2371</p> <p><b>HOOVER EQUIPMENT</b><br/>Tyrone PA 16686<br/>814-684-1777</p> | <p><b>JAMES L. HOSTETTER</b><br/>McVeytown PA 17051<br/>717-899-6386</p> <p><b>K&amp;S INC.</b><br/>Quarryville, PA<br/>717-284-3111<br/>(VanDale Dealer)</p> <p><b>LAPP'S BARN EQUIPMENT SALES &amp; SERVICE</b><br/>Gap PA 17527<br/>717-442-8134</p> | <p><b>MARTIN EQUIPMENT</b><br/>Chambersburg PA<br/>717-263-3505</p> <p><b>McMILLEN BROTHERS</b><br/>Loysville PA<br/>717 789 3961<br/>(VanDale Dealer)</p> <p><b>MILL CREEK FENCE &amp; FARM</b><br/>Lancaster, PA<br/>717-396-8987</p> | <p><b>PRINGLES SUPPLY &amp; EQUIPMENT INC.</b><br/>Greenville PA 16125<br/>412-588-7950</p> <p><b>ROVENDALE AG &amp; BARN EQUIPMENT</b><br/>Watsonstown PA 17777<br/>717-538-9564<br/>OR 717-742-4226</p> <p><b>SOLLENBERGER SILOS CORP.</b><br/>Chambersburg, PA 17201<br/>717-264-9588</p> | <p><b>SOMERSET BARN EQUIPMENT</b><br/>Somerset PA 15501<br/>814-445-5555</p> <p><b>STAR SILOS</b><br/>Myerstown, PA 17067<br/>717-866-5708</p> <p><b>WALNUT BARN EQUIPMENT</b><br/>Port Royal, PA<br/>717-436-9429</p> | <p><b>MARYLAND GLADHILL TRACTOR MART</b><br/>Frederick MD 21701<br/>301-663-6060</p> <p><b>MD &amp; VA MILK PRODUCERS ASSOC.</b><br/>Frederick, MD 21701<br/>301-663-6552</p> <p><b>NEW JERSEY GEORGE COLEMAN</b><br/>Elmer NJ 08318<br/>609-358-8528</p> |
|--|---|---|--|--|---|