

A&E ADAMSTOWN EQUIPMENT



10% CASH DISCOUNT on JOHN DEERE PLANTER PARTS

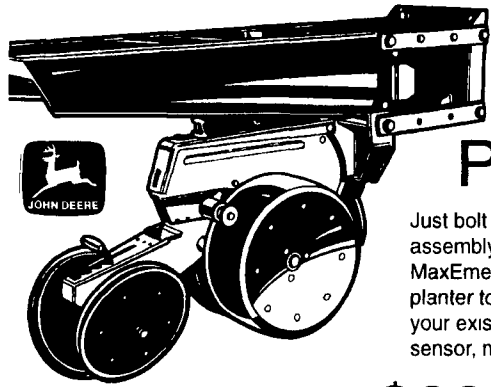


In Stock from March 30 to April 4, 1998

CORN PLANTER CLINIC - March 30, 7:00 PM

No Discount on Specials Below

Put New Life in Your Old Planter

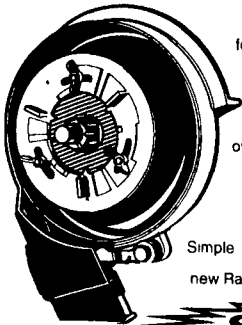


Just bolt this new row-unit assembly to your MaxEmerge[®] or similar planter toolbar and add your existing seed tube, sensor, meter, and hopper

Only **\$895** per row
Ask for details

NEW! John Deere Exclusive

Only two moving parts - Innovative radial bean meter is simple, accurate and economical



Replacing your planter's soybean meter? Wait! Check out this exclusive new Radial Bean Meter (RBM) for John Deere Kinze Great Plains and New Idea Planters. It offers much more than conventional feedcup meters - more simplicity, more accuracy, more working life and it's more economical.

There are just two moving parts - a seed bowl that picks up single soybeans and a knockout wheel that pops oversized or incorrectly seated beans back into the reservoir. It's the operating simplicity of these two moving parts that makes this meter last up to three times longer than current volume-type meters. And minimal wear of the two moving parts means greater seeding accuracy over the meter's life.

Simple, accurate and economical with an extremely long wear life. That's value. But there's more! This revolutionary new Radial Bean Meter is actually priced below brush-type meters. See us - and you'll see the savings.

\$100 AA45601

Tru-Vee™ Planter Openers

Tru Vee™ double-disk openers provide a smooth-sided V trench for excellent soil-to-seed contact and positive depth control.

AA37474
Corn Seed Disk
Reg \$25.83
Sale \$20.95
AA27458
Fertilizer Disk,
Reg \$32.01
Sale \$25.95



Fertilizer Spout

John Deere steel fertilizer spouts keep your planter delivering fertilizer exactly where needed. Get like-new performance with John Deere originals.

Reg \$9.99
Sale \$9.30

AA38905



Gauge Wheel Tires

Gauge wheels with semi-pneumatic tires are just right for cultivating in damp soils. Tire flexing action promotes self-cleaning.

Reg \$18.49
Sale \$15.59

A22884

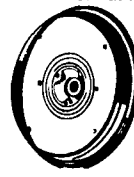


Gauge-Wheel Disk Half

Holds the MaxEmerge[®] or MaxEmerge 2[™] planter gauge wheel in alignment, for proper depth gauging and seed trench formation.

Reg \$9.01
Sale \$7.95

A22780

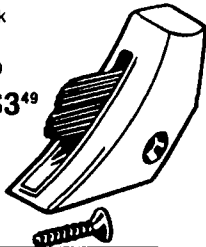


Planter Seed Brush

2 To a pack

Reg \$3.99
Sale \$3.49

AA35660

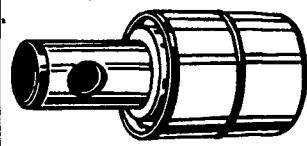


Integral Shaft Bearing

Reg \$5.82

Sale \$5.20

AA35741



Powdered Graphite

Reg \$2.99

Sale \$2.76

B33379



NEW JOHN DEERE EQUIPMENT IN STOCK

TRACTORS

- JD 5400 4WD, w/540 Loader
- JD 5510, FWD, Cab, Rev
- JD 6410, FWD, Cab, P.Q.
- JD 7810 4WD, Cab, PS

TILLAGE

- JD 714, 7-Shank Mulch Tiller
- JD 714, 9-Shank Mulch Tiller
- JD 980 12'6" Field Cultivator
- JD 980 18' Field Cultivator

HAY & FORAGE

- JD 925 MOCO
- JD 348 Baler
- JD 100 Square Baler
- JD 456 Round Baler
- JD 456 Round Baler, Silage Special
- JD 3950 Harvester
- JD 3970 Harvester

PLANTERS

- JD 1750 4 Row Planter
- JD 1750 6 Row Planter, Vacuum

OTHER NEW EQUIPMENT IN STOCK

- Brillion Land Commander
- Brillion 21' X-Fold Packer
- Brillion 12' Pulvimulcher
- Brillion 4-Row Ro Crop Cultivator
- Pequea Tedders
- Pequea Running Gear

USED EQUIPMENT

USED TRACTORS

- JD 870 4WD w/Loader \$11,900
- JD 855, MFWD, R4 Tires, 406 Hrs (Like New)..... \$11,900
- JD 4040, 4 Post, Qd., Very Good
4600 Hours..... \$18,800 ~~\$19,500~~
- JD 4230 4 Post Quad, 6300 Hrs..... \$14,000 ~~\$14,500~~
- Ford 5000, 8 Speed, Overhauled, Sharp..... \$7,900

FORAGE EQUIPMENT

- JD 3960 Harvester (sharp)..... \$6,200
- JD 3960 Forage Harvester..... \$5,500
- JD 3 Row, Row Crop Head, completely gone over - Excellent Shape..... \$5,950
- JD 5460 S.P. Harvester w/Heads..... Coming In

HAY EQUIPMENT

- JD 1219 Mower Conditioner..... \$3,750
- JD 1219 Mower Conditioner..... \$2,800
- JD 1219 Mower Conditioner..... \$5,500

TILLAGE

- JD 620 Disc, 10 ft..... \$2,400
- Brillion 9 ft. Packer..... **SOLD**..... \$550
- JD 10' Pulverizer..... \$450
- Unverferth 20 ft. Rolling Harrow..... **SOLD**..... \$2,650

COMBINES

- JD 6620 Level Land..... \$25,000
- JD 6600 Side Hill..... \$7,000
- JD 215 Flex Head Side Hill..... \$6,000
- JD 443 Corn Head..... \$5,500
- JD 215 Flex Head (Rebuilt)..... \$6,400
- JD 216 Flex Head, Black Reel..... \$3,500

MISC. EQUIPMENT

- JD 780 Spreader..... Coming In
- JD 7200 4 Row Liquid, 3 Yrs. Old..... Coming In
- JD 7200 Corn 4-Row Dry Fert., Finger P.U. 90 Acres..... **SOLD**..... \$10,500
- JD 7000 6 Row..... \$7,000
- JD 7200 6 Row..... \$13,000
- (2) JD 6x4 Gators (Gas)..... Call
- JD 1018 Rotary Cutter, Pull Type..... \$3,500

A TRUE TMR MIXER



Don't accept a limited concept of TMR! The N.D.E. vertical mixer can handle round bale silage, square bales, silages, grains, byproducts - anything that you want in your TMR! Buy directly from us and save.

Call TOLL FREE
1-888-336-3127

TOBIAS EQUIPMENT CO., INC.

Halifax, PA 17032
Phone: 717-362-3132
1-800-362-3132



CLEARANCE SPECIALS

- White 105, Cab..... \$6,500
- Ferguson T0-20..... \$2,000
- 1720 Ford SS MFWD w/Loader & Backhoe, 500 Hrs..... \$18,200
- JD 6200 MFWD, Open Station, P.Q. Trans, R&P axle, radial tires, 450 hrs..... \$32,000

New H&S 16' 3 beater forage box on 12-ton running gear \$9,500

USED GARDEN TRACTORS

- JD 325 48" Mower, 1 Year Old..... \$4,500
- JD 445, Low Hours, New 60" Mower..... CALL
- JD240, 46" Mower w/Bagger..... \$2,800
- Ford LS45..... \$2,500
- JD 212 w/47" Mower..... \$2,000
- Snapper LX130H w/Bagger, Low Hrs..... \$1,875
- JD 170 w/ 38" mower..... \$1,995
- Kwik Way loader for JD 400 series garden tractor, new condition..... \$2,300

USED COMBINES

- JD 6620 Side Hill, 215 Flex Head \$27,000
- 1996 JD 9500 Contour Master 4WD
160 Separator Hrs. Factory Warranty Call

SPRING CLEARANCE SALE

- IH Model 700 5x18 plow, Side Hill Hitch..... \$2,700
- Unverferth 375 bu. Gravity Box on 14-ton Running Gear, New Condition..... \$3,975
- 40' Bale Elevator..... \$650
- 30' Bale Elevator..... \$450
- Wu's 4x4 Cart..... \$2,600
- Yale Electric Forklift, 12' Reach w/Charger..... \$895
- IH Model 55 Chisel Plow 10", High Clear. \$1,250
- IH 14' Chisel Plow..... \$1,350
- JD 210 Disc..... \$1,575
- JD KBA 14' Disc, like new blades..... \$1,250
- JD KBA, 13' Disc..... \$1,550
- NH 16' Forage Box w/Tandem running gear, 3 beaters & roof..... ~~\$2,600~~ \$3,500
- NH 469 Haybine..... \$1,750
- JD 920 MoCo..... \$12,000
- JD 1600 12' Hydra Swing Mower Conditioner w/new Roll..... \$7,500
- JD 1209 Mower Conditioner..... \$1,750
- JD 1219 Mower Conditioner..... \$4,500
- JD 8250 10' Drill..... \$2,975
- JD 8300 21x7 Drill..... \$5,800
- (2) JD 653A Row Crop Heads..... \$2,000/pair

MISCELLANEOUS - USED

- JD 960 24' Flex Fold Field Cultivator w/Tine Attachment..... \$8,500
- JD 450 Spreader..... \$4,000
- Woods Model 315 15' Batwing Mower... \$5,750
- JD 535 Round Baler..... \$13,500
- NI 555 Baler w/Ejector..... \$3,000
- NH 271 Baler w/ Thrower..... \$2,200
- JD 336 Baler w/ ejector..... \$3,500
- JD 875 4R Minimum Till Cultivator, Like New... \$3,850

Cat D6B Dozer, 10' Blade, Power Tilt & Winch..... \$6,500

MARCH SPECIALS

- New Landpride 1550 Tiller..... \$1,675
- Ford 60" 3 pt. flail mower, never used..... \$2,300
- Landpride 48" Over Seeder..... ~~\$3,900~~ \$4,000

PLANTER CLINIC
MARCH 30, 1998
7:00 PM

ADAMSTOWN EQUIPMENT, INC.

Box 456, Bowmansville Road
Adamstown, PA 19501 717-484-4391



We Ship Daily UPS

We Have Used Parts To Fit JD 2-Cyl. and 10 & 20 Series Tractors