

N.E. Weekly Shell Egg Report

March 10, 1998

Report Supplied by USDA

PRICES PAID PER DOZEN GRADE "A" BROWN EGGS IN CARTONS DELIVERED TO RETAIL STORES:

	EX. LARGE	LARGE	MEDIUM	SMALL
MAINE	1.15	1.02	.80	.57
NEW HAMPSHIRE	1.06-1.13	.95-.99	.73-.77	.50-.54
MOSTLY	1.10-1.11	.97-.98	.75-.76	.52-.53
RHODE ISLAND	1.11-1.15	.98-1.02	.76-.80	.53-.57
MOSTLY	1.11	.98	.76	.53
VERMONT	1.15-1.18	1.03-1.05	.80-.83	.53
MOSTLY	1.18	1.05	.83	

Heinsey's Poultry

Roosts, East Petersburg
Tuesday, March 10, 1998
Report supplied by USDA
Muscovy duck drakes 2.20-2.60, hens, 2.00-2.50.
Peking ducks, not enough.

Red fowl 4-4 1/2 .50-.60, 5-6 lbs. .70-1.04.
Crossbred fowl 5-9 lbs. .50-.92.
Crossbred roosters 4-6 lbs. .70-1.00, 7-11 lbs. .60-.80.
Guinea fowl 1.50-1.75.
Banty roosters 2.00-5.00 ea., hens 2.50-4.00.
Leghorn hens 20-30.
Leghorn Roosters, not enough.
Silkies 2.50-3.25 ea.
Geese 9-14 lbs. 40-.66.
Pigeons 2.75-3.25 ea.
White pigeons 5.00-5.75 ea.
Rabbits 4-6 lbs. 1.10-1.40, 7-11 lbs. 1.20-1.40.
Bunnies 2.00-7.50 ea.
Guinea pigs 3.50-6.00 ea.
Goats, not enough.
Kid goats 27.00-45.00 ea.
Doves 3.50-5.00.
Chukars 3.00-3.75 ea..
Pullets .50-.88.
Total coops 901.

LANCASTER FARMING .. STAFF ..

Everett R. Newswanger
Managing Editor

Lou Ann Good, Staff

Andy Andrews, Staff

Vernon Achenbach Jr., Staff

Ephrata Office Phone
(717) 626-1164

NEWS CORRESPONDENTS

Joyce Supp, York County
Seven Valleys (717) 428-1865

Carolyn Moyer, Bradford County
Tioga & Susquehanna
Roaring Branch (717) 324-2482

Randy Wells, Indiana
Marion Center (412) 397-2529

Judith Patton, Union
Mifflinburg (717) 966-4770

Gail Strook, Mifflin
Huntingdon & Juniata
Belleville (717) 935-5675

Linda Williams, Bedford,
Bedford (814) 623-5745

Gay Brownlee, Somerset
Salisbury (814) 662-2127

David Hiebert, Westmoreland
Scottsdale (412) 887-5929

James Martin, Mercer
Sandy Lake (412) 376-2682

Beth Miller, Cumberland
Newville (717) 776-6571

Virginia Wilt, Adams
Wrightsville (717) 252-2038

Bill Tindall, Lawrence,
Mercer, Crawford
New Wilmington (412) 533-2875

Lois Szymanski, Maryland
Westminster (410) 848-5241

Karen Butler, Maryland
Frederick (301) 698-5436

SUBSCRIPTION INFORMATION

Subscription Price:

\$28.50 per year; \$55.00- 2 years

\$38.50 per year outside of:

PA, NJ, MD, DE, NY, OH, VA & WV

\$75.00 - 2 Years

Non-Refundable

Lancaster Farming (ISSN 0023-7485) is published weekly for \$28.50 per year; \$55.00 - 2 years by Lancaster Farming, P.O. Box 609 1 E. Main Street, Ephrata, PA 17522. Periodicals postage paid at Ephrata, PA 17522. POSTMASTER: Send address changes to LANCASTER FARMING, 1 East Main Street, P.O. Box 609, Ephrata, PA 17522

Phone: Litz (717) 626-1164 or Ephrata (717) 733-6397, Lancaster (717) 394-3047. FAX 717-733-6058

For address change form or new subscription see near Mailbox Markets.

Members of National Association of Agricultural Journalists Pa Newspaper Publishers Association, and National Newspaper Association. National Advertising Representative J.L. Farmakis, Inc. Phone (203) 966-1746

PUBLISHER'S LIABILITY FOR ERROR

The publisher shall not be liable for slight changes or typographical errors that do not lessen the value of an advertisement. The publisher's liability for other errors or omissions in connection with an advertisement is strictly limited to publication of the advertisement in any subsequent issue or the refund of any monies paid for the advertisement.

Belleville Poultry

Belleville, Pa.

Wednesday, March 11, 1998

Report supplied by Auction

Geese: 1.00-3.00 ea.
Turkeys: 14.00-20.00 ea.
Guineas: 4.50 ea.
Roosters: 4.00-7.50 ea.
Bantams: 2.00-4.00 ea.
Heavy hens: 2.00-3.00 ea.
Silkies: 2.50-3.00 ea.
Muscovy hens: 5.50-7.00 ea.
Muscovy drakes: 11.00-15.00 ea.
Mixed ducks: 5.25 ea.
Barn pigeons: 2.00 ea.
White birds: 5.50 ea.
Fancy birds: none.
Peacocks: 28.00 ea.
Pheasants: 18.00 ea.
Doves: none.
Quail: none.
Guinea Pigs: 2.00-4.00 ea.
Rabbits: under 4 lbs. 1.50-3.75 ea., 4-6 lbs. 4.75-6.75 ea., over 6 lbs. 7.00-8.00 ea.
For more information phone 717-242-2898.

Our Easter bunny sale will be Wed., March 25, at 1 p.m.

North Atlantic Shell Eggs

March 12, 1998

Atlanta, Ga.

PRICES IN PHILADELPHIA WERE UNCHANGED TO TWO CENTS HIGHER FOR THE LARGE SIZES, AND UNCHANGED TO ONE CENT HIGHER FOR MEDIUMS. NEW ENGLAND PRICES WERE ONE CENT HIGHER FOR EXTRA LARGE THROUGH MEDIUMS, AND THE BALANCE OF PRICES WERE UNCHANGED. THE MARKET TONE WAS MIXED FROM STEADY TO FIRM WITH THE LARGE WHITE SIZES IN THE STRONGEST POSITION. DEMAND WAS MIXED ACROSS THE FULL RANGE AND WAS BEST WHERE FEATURED. SUPPLIES OF BROWN EGGS WERE ADEQUATE, AND WHITE EGG SUPPLIES WERE ADEQUATE TO TIGHT WITH THE LARGE SIZES IN THE TIGHTEST POSITION. BREAKING STOCK SUPPLIES WERE GENERALLY ADEQUATE FOR THE LIGHT TO FAIR DEMAND, AND THE UNDERTONE WAS ABOUT STEADY.

PHILADELPHIA: PRICES TO RETAILERS, SALES TO VOLUME BUYERS, USDA GRADE A AND GRADE A WHITE EGGS IN CARTONS, DELIVERED STORE DOOR, CENTS PER DOZEN: EXTRA LARGE .76-.85; LARGE .74-.83; MEDIUM .61-.65.

Hackettstown Poultry & Egg

Hackettstown, N.J.

Report Supplied by Auction

Tuesday, March 10, 1998

Report Supplied by Auction

HEAVY FOWL .95-1.20.
LIGHT FOWL .65.
MIXED FOWL .40-.85.
TURKEYS .40-.85.
GEESE .20.
BANTAMS .40-.70, 1.00-6.75 EA.
ROOSTERS .50-1.40, .75-4.00 EA.
BUNNIES 1.75-2.75 EA.
DUCKS .90-1.40, 6.25 EA.
RABBITS .70-1.75, 3.75 EA.
PIGEONS 3.00-4.50 EA.
GUINEAS 2.10, 7.50-9.50 EA.
GRADE A EGGS: WHITE EXTRA LARGE & JUMBO .75-.90, LARGE .76-.80, MEDIUM .58. BROWN EXTRA LARGE & JUMBO .82-.89, LARGE .72-.85, MEDIUM .60.

LEBANON VALLEY LIVESTOCK MARKET, INC.

1 mile East of Fredericksburg along Rt. 22

Cattle Sale Every Tues. & Fri. at 1:30 P.M.

2nd & 4th Tues. Special Fed Cattle Sale

Horse Sale Every Second Sat. of Each Month

Dave Brubaker (717) 865-2881

Exotic Chicks!

THE HATCHERY AT UNICORN WOODS HCR #7 BOX 832-L SALEM, AR 72576 878-895-4212 FREE BROCHURE!

BOWMAN'S STOVE & PATO

GAS STOVES AND FIREPLACES

1060 Division Highway 322 East, Ephrata, PA 17522

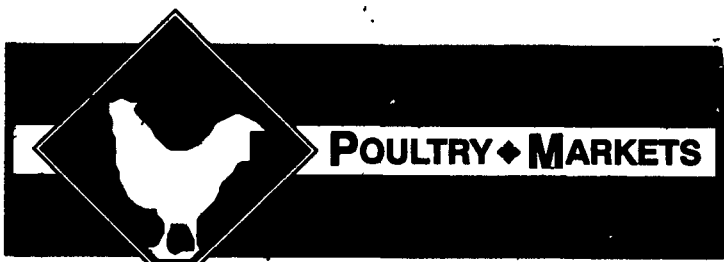
1 Block East of Rt. 222 (717) 733-4973

800-642-0310

www.bowmansstove.com

Mon, Tues Wed 10 to 6 Thurs.

Fri 10 to 8, Sat 10 to 4



Weekly New York Egg Market Northeast Quotes

Prices Supplied by Urner-Barry

	From March 6-12				
	FRI.	MON.	TUES.	WED.	THURS.
WHITE					
JUMBO	.88	.88	.90	.90	.91
EX. LARGE	.86	.86	.88	.89	.91
LARGE	.82	.82	.84	.85	.87
MEDIUM	.67	.67	.68	.69	.70
PULLETS	.53	.53	.53	.53	.53

BROWN					
EXTRA LARGE	.84	.84	.84	.84	.84
LARGE	.78	.78	.78	.78	.78
MEDIUM	.57	.57	.57	.57	.57
UNDERGRADES AND CHECKS	.31	.31	.32	.33	.34

BREAKING STOCKS: FRI. 42-44 LBS. .36-.38, 48-50 LBS. .44-.46, 50 LBS. AND UP .46-.48; TUES. 42-44 LBS. .37-.39, 48-50 LBS. .45-.47, 50 LBS. AND UP .47-.49; WED. 42-44 LBS. .38-.40, 48-50 LBS. .46-.48, 50 LBS. AND UP .48-.50; THURS. 42-44 LBS. .39-.41, 48-50 LBS. .47-.49, 50 LBS. AND UP .49-.51.

Northeast Agri Systems Your Authorized Distributor

CHORE-TIME

Shenandoah

- Cage Systems
- Poultry & Swine Feeding
- Bins & Augers

- Space Heaters
- Incinerators
- Brooders
- Nests

HIRED-HAND

Agricultural Heating and Ventilation Systems

HEATERS AND CONTROLS



Poultry, Dairy & Swine Buildings & Equipment

TOLL FREE CUSTOMER SERVICE NUMBER: 1-800-673-2580

Northeast Agri Systems, Inc. Deltmarva Store
Flyway Business Park 325 University Ave
139A West Airport Road Federalsburg, MD
Litz, PA 17543 (Formerly Long Lumber)
Ph (717) 569-2702 1-800-735-4361
1-800-673-2580

10 REASONS WHY YOU NEED A RISSLER TMR MIXER

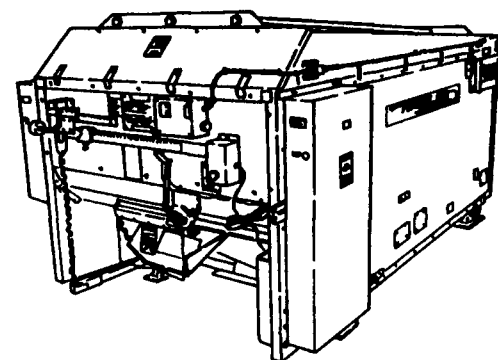
1. Who Else Uses 3/16 And 1/4 Stainless Steel On Auger Troughs?
2. Who Else Uses Stainless Steel For The Floors As Standard?
3. Who Else Uses 1/10" Inside and .065 Outside High Density Poly Coated 1" Plywood For Their Mixing Box?
4. Who Else Uses 1/2" and 5/8" Stainless Steel Pins With Large Heads On Their Mixing Chains?
5. Who Else Uses Welded Steel Chains With 5/16" And 3/8" Side Bars?
6. Who Else Uses 3/8" and 1/2" Flighting On All of Their Augers?
7. Who Else Has A 10 YEAR Limited Warranty On Their Mixing Box?
8. Who Else Has Any Machines In Service For 15 Years With Very Little Repair And Maintenance Costs?
9. Who Else Builds A Mixer That Still Gives A Near Perfect Mix, Even With Worn Parts?
10. Who Else Builds A Mixer Complete With Safety Shut Off Cables And Contactor Prewired For Service?

Get the Picture?

L.H. RISSLER TMR MIXERS

- ★ Proven Rugged
- ★ Proven Efficient
- ★ Proven Economical

448 Orchard Road Mohnton, PA 19540 717-484-0551



L.H. RISSLER MANUFACTURING