

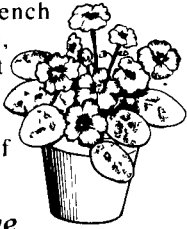


FEBRUARY 16-22, 1998

PRESIDENTS DAY, FEB. 16.

FAITHFUL IN FEBRUARY

February's flower, the violet, is a symbol of faithfulness, modesty, and simplicity. Used medicinally over the centuries as a mouthwash and for congestive pulmonary conditions, sweet violet (*Viola odorata*) is both an expectorant and a diuretic. Folklore lists it among the powerful forces against evil, which is perhaps why the Greek city of Athens considered the violet its token flower. The French came to associate it with Napoleon, because of the violet's persistent return in the spring. For years after 1814, the French government banned any symbolic use of the flower for just that reason.



What is charm? It is what the violet has and the camellia has not.

- Francis Marion Crawford

The OLD FARMER'S WEATHER PROVERBS



The weather on the night of St. Peter's Day (Feb. 22) foretells the weather for the next 40 days.

Whitecaps on a pond or river mean that it is going to rain.

TIP OF THE WEEK

To minimize fat at fast-food restaurants, choose the grilled chicken sandwiches over the beef.

MARLBOROUGH PUDDING

- 3/4 cup unsweetened applesauce
- 3/4 cup sugar
- 3/4 cup white wine or grape juice
- 6 tablespoons melted butter
- 4 eggs, beaten well
- juice and grated rind of 1 lemon
- 1 cup milk
- 1/2 teaspoon grated nutmeg

lemon juice, rind, and milk. Pour into buttered 1-quart baking dish, grate nutmeg over pudding, and bake at 350° F until firm. Serve warm with maple syrup.



Makes 4 to 6 servings.

Combine applesauce, sugar, wine, and melted butter. Stir in eggs.

Introducing

The Old Farmer's Almanac Home Library series from Time-Life Books. Flower Gardening Secrets, Blue Ribbon Recipes, Home Wisdom, and Traditional Home Remedies, \$12.95 each. Available wherever books are sold, or call 800-277-8844.

Westminster Livestock Auction

Hagerstown, Md. February 10, 1998

Report supplied by auction
 SLAUGHTER COWS: 90 HEAD, 1.00 LOWER. UTILITY 35.00-39.25; CANNERS 30.00-35.00; SHELLY 29.00 DOWN.
 BULLS: YG#1 1150-1500 LBS. 44.50-48.75; YG#2 1 2344 LB. AT 44.50.
 FED STEERS: 25 HEAD. HIGH CHOICE TO PRIME 1150-1400 LBS. 65.00-66.00; CHOICE 60.00-62.50; SELECT 55.00-59.00.
 FED HEIFERS: FEW OFFERED. 1 HIGH CHOICE 1250 LBS. AT 63.00; 1 CHOICE 1100 LBS. AT 59.00.
 VEAL CALVES: 138 HEAD. 1 CHOICE 196 LBS. AT 76.00; CULLS 85-110 LBS. 24.00-29.00, FEW 30.00-34.00; 60-85 LBS. 18.00-27.00.
 FARM CALVES: 10.00-20.00 LOWER.
 HOLSTEIN BULLS #1 95-120 LBS. 87.00-105.00; 85-95 LBS. 40.00-85.00; HOLSTEIN HEIFERS FEW 85-110 LBS. TO 95.00; BEEF X BULLS AND HEIFERS 50.00-80.00.
 BUTCHER HOGS: 50 HEAD. US#1-2 240-270 LBS. 36.50-38.00; US#1-3 220-270 LBS. 35.00-36.00.
 SOWS: 25 HEAD. 300-500 LBS. 22.00-24.00; 500-700 LBS. TO 28.25; THIN SOWS 16.00-22.00.
 BOARS: 6 HEAD. 350-750 LBS. 16.50-18.00.
 STOCK CATTLE: 149 HEAD, PRICES STEADY TO 5.00 LOWER. STEERS MED. TO LARGE FRAME 200-400 LBS. 71.00-80.00; 400-600 LBS. 71.00-83.00; 400-700 LBS. 63.00-80.00; 700-900 LBS. 57.00-67.00.
 HEIFERS: MED. TO LARGE FRAME 300-500 LBS. 57.00-69.00; 500-700 LBS. 55.00-66.00; 700-900 LBS. 51.00-60.00.
 BULLS: MED. AND LARGE FRAME 200-400 LBS. 69.00-82.00; 400-600 LBS. 62.00-78.00; 600-800 LBS. 59.00-69.00; 800-1000 LBS. 43.00-52.00.
 LAMBS: 25 HEAD. HIGH CHOICE TO

PRIME 80-105 LBS. 95.00-105.00; CHOICE 120-135 LBS. 80.00-85.00; 150-165 LBS. 58.00-60.00.
 SHEEP: 10 HEAD 35.00-50.00, FEW TO 71.00.
 GOATS: 12 HEAD. LARGE TO \$5.00; MED. 40.00-70.00; SMALL 18.00-30.00.
 PIGS AND SHOATS: FEW OFFERED. BY THE LB., STOCK BOARS 4 HEAD 200-325 LBS. 20.00-28.00.

Carlisle Livestock

Carlisle, Pa. February 10, 1998

SLAUGHTER CATTLE: STEERS, CHOICE 1100-1500 LBS. 62.75-65.00; SELECT AND LOW CHOICE 60.25-62.50; SELECT LIGHTS 55.00-59.00; HOLSTEINS 53.50-56.00; SELECT 47.25-52.00; HEIFERS, HOLSTEINS TO 53.00; COWS, STRONG DEMAND! HIGH YIELD 44.00-51.00; BREAKING UTILITY AND COMMERCIAL 38.00-43.50; CUTTER AND BONING UTILITY 34.00-41.50; CANNER AND LOW CUTTER 28.00-33.75, BIG MIDDLE 34.75-35.00, SHELLY 27.00 AND DOWN.
 FEEDER CATTLE: STEERS, HOLSTEINS/DAIRY TYPES 50.00-71.00; HEIFERS, HOLSTEINS/DAIRY TYPES/HEREFORDS 46.00-60.00; BULLS, HOLSTEINS/DAIRY TYPES 39.00-51.00; CALVES, RETURNING TO FARM, ACTIVE! HOLSTEINS BULLS #1 95-125 LBS. 90.00-110.00; HOLSTEIN HEIFERS #1 75-90 LBS. 75.00-87.50.
 SWINE: HOGS US#1-3 220-280 LBS. 34.00-38.50, 285-405 LBS. 32.75-41.00, 200-215 LBS. 32.25-34.00; BOARS 15.50-23.00; SOWS US#1-3 300-800 LBS. 25.00-35.00; THIN WEAK/ROUGH 16.00-24.00.
 GOATS: BY THE HEAD, MED. TO LRGE. NANNIES AND BILLIES 60.00-145.00, FANCY KIDS 50.00-62.50, FLESHY KIDS 37.00-49.00, SMALL/THIN KIDS 10.00-36.00.

LAMBS: CHOICE 50-80 LBS. 125.00-166.00.
 SHEEP: ALL WEIGHTS 47.00-87.00. SALE EVERY TUES. 5 P.M. FOR RABBITS, POULTRY AND EGGS, 6:30 P.M. FOR LIVESTOCK, STARTING WITH CALVES.
 SPECIAL FED CATTLE SALE TUES., FEB. 17.
 SPECIAL FEEDER CATTLE SALE TUES., MARCH 3.
 STATE GRADED FEEDER PIG SALES FRIDAY, FEB. 13.
 PEN LOTS OF CATTLE SOLD IN ORDER RECEIVED; EARLYBIRD PENS CLOSE TUES. 2 P.M.
 HATFIELD'S TOP PRICE FOR CASH HOGS ON WED., FEB. 11 WAS 35.25.

New Holland Dairy

New Holland Sales Stables
 Wednesday, February 11, 1998
 Report supplied by auction
 111 DAIRY COWS, 114 HEIFERS, 10 BULLS. MARKET STEADY TO STRONGER.
 LOCAL FRESH COWS 700.00-900.00.
 LOCAL SPRINGERS 800.00-1025.00.
 FRESH HEIFERS 900.00-1125.00.
 BETTER FRESH COWS 1200.00-1450.00.
 LOAD OF CANADIAN 800.00-1400.00.
 SPRINGING HEIFERS LARGE 1050.00-1175.00, SMALL 625.00-900.00.
 SHORTBRED HEIFERS 675.00.
 OPEN BREEDING AGE HEIFERS 500.00-600.00.
 REGISTERED HEIFERS 700.00-825.00.
 SMALL OPEN HEIFERS 300.00-375.00.
 BULLS 400.00-775.00.

United Feature Syndicate

(Printed in the U.S.A.)

200 Madison Ave
 N.Y., NY 10016
 (212-293-8500)

Forney Longenecker
 Vice President/Financial Consultant
 Commodities Only

SMITH BARNEY 717-295-8914 • 800-441-1997

A Member of TravelersGroup

SMITH BARNEY INC
 29 East King Street
 Suite 200
 Lancaster, PA 17602-2852

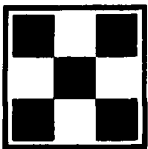
Leesport Farmer's Market, Inc.
 Leesport, Berks Co., Pa. (610) 926-1307

SPECIAL FEEDER CATTLE SALE

• Consignments Welcome

Refreshments Available
WEDNESDAY, FEB. 18, 1998
 2:00 p.m. Bill Weist
 Regular livestock sale starts at 1:00 p.m.

AVAILABLE SPRING '98

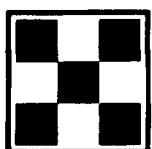


WEANER and/or FEEDER PIGS



Take Advantage of the Benefits of Single Source, Multi-site Raised Pigs

- Features:
- 1600 pigs available/week
 - Single source supply
 - Located in Central PA
 - AI for best genetics
 - Availability sized to finisher needs
 - Financing assistance available



PURINA MILLS, Inc.
 800-873-5300

Manufacturing Facilities: Lancaster, Harrisburg, Hagerstown, Wyalusing and Knoxville

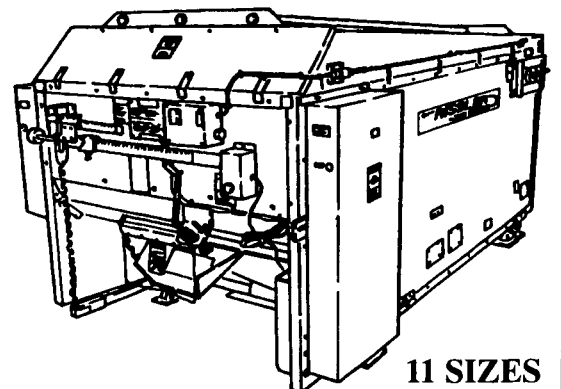
THIS IS NOT A TEST...

These questions will provide valuable information for the time you will be considering your next Feed Mixer.

1. *Who else uses 3/16" and 1/4" stainless steel on auger troughs?
2. *Who else uses stainless steel for the floors as standard?
3. *Who else uses 1/10" inside and .065 outside high density poly coated 1" plywood for their mixing box?
4. *Who else uses 1/2" and 5/8" stainless steel pins with large heads on their mixing chains?
5. *Who else uses welded steel chains with 5/16" and 3/8" side bars?
6. *Who else uses 3/8" and 1/2" flighting on all of their augers?
7. *Who else has a 10 year limited warranty on their mixing box?
8. *Who else has any machines in service for 15 years with very little repair and maintenance costs?
9. *Who else builds a mixer that still gives a near perfect mix, even with worn parts?
10. *Who else builds a mixer complete with safety shut off cables and contactor prewired for service?

You need a TMR Mixer that meets these standards!

You need a
RISSLER TMR MIXER
 * RUGGED *
 * EFFICIENT *
 * ECONOMICAL *



11 SIZES

RISSLER™
 MANUFACTURING

448 Orchard Road
 Mohnton, PA 19540
 717-484-0551