

Needed

FORD 2000 — 4 cylinder
Crippled or Parts Tractor — early 60's
"OR"

Can Correlate any Model 501 thru 2000

For Private Farm use
Correspondence to:
Spencer E. Schaefer
Hay Road - Box 1240
Temple, Pa. 19560

610/929-0522 Leave message
Berks Co.

Welger RP 200 master cut
baler, used. Lely 280C 3pt
discbine mower, demo.
Call (717)369-5702.

WHEEL LOADER TEREX
72-40, art. w/3.5 yard
bucket, no ROPS, \$5,000.
410-833-9091

WHEEL LOADER JD 544A
w/cab, runs well, ready for
work, \$11,000/OBO.
410-833-9091

White 2-135, cab, air, dual
PTO, sharp, rebuilt O/U,
new clutch, \$10,500.
(717)867-4896

White 4-150 tractor, 150hp,
4WD, 2950 hrs., rebuilt
O/U, fresh engine bearings,
new red stripe paint,
\$6995. 717-867-4896

White 4-180 cab, air, heat,
radio, heavy center duals,
3200 hrs., 3pt, 1000 PTO,
3208 Cat, great shape.
Downsizing reason for
sale, \$10,000. HOP-
PAUGH FARMS, Bradford
Co. 717-596-2532

White loader, fits 2-70 to
2-135 tractors, \$1500. Car-
roll Co. 410/776-2723.

White Model 2-135 tractor
w/cab, air, heat, 20.8x38
rear tires, 90%. Completely
rebuilt over/under power
shift, new motor bearings,
rebuilt frontend, new paint,
\$18,000. Lackawanna Co.,
PA. 717-587-1725.

Woods bat wing mower,
315 model, 15' HD, excel-
lent condition. Call
(717)748-1095.

Yanmar 4x4, 19hp, 700
hrs., \$4,800.
(814)467-8839.

NEW COMBINE PARTS

CORNHEAD FLUTES/KNIVES	
IH 800 series	\$9.80
IH 900/1000	\$10.10
Massey-All	\$9.45
IH rotor bars	\$195
IH straw knives	\$8.50
JD cornhead rolls	\$48
JD 6600 rasp bars	\$165
Clearance! UPS extra	

Call 1-800-Weaver-D
Fredericksburg, PA

Martin's Tractor Parts

866 Greenspring Rd
Newville, PA 17241

Used Tractors: Case 300 round nose \$2,000; JD
6030, exc. shape, \$12,500; Ford 3000 \$3,500; IH
340 diesel, \$2,200.

Used Tractor Parts

Most Makes and Models
Have Large Selection



Recent Arrivals: IH 1066; IH 1466; DB 1210; MM 302; IH 966;
JD 4430; JD 4020; Ford TW 30; Oliver 77; JD B; AC 7020; JD
4230; AC 7020; IH 806; IH 856; IH 1066; AC 8010; JD 520; JD
630; IH 504; MM 335; JD 4020; JD 4520; Oliver 1855; M M 602;
Case 1194; Case 1294; DB 990; DB 1410; IH 706; JD 5020

Call (717) 776-7542 or 6057
(717) 776-7327 Fax

for detailed information

MON-FRI 8-5

SAT 8-12

No Sunday Calls

Will Ship UPS

Positively No Out-Of-State Checks

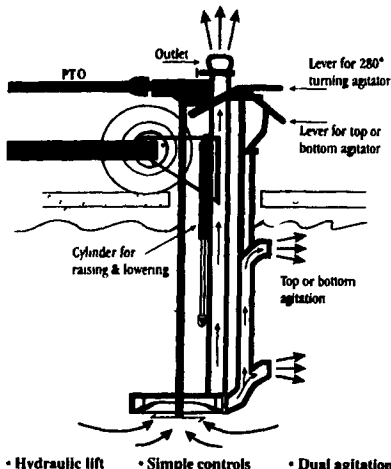
USED TRACTORS

- IH Hydro 100 Engine, Rebuilt, Hydro checked, Painted.....\$13,900
- IH 806 Engine Rebuilt.....\$7,900
- JD 855 Tractor, 2WD, w/Loader, Showroom Cond \$9,900
- IH 966.....\$8,900
- IH 826 Cab, Nice!.....\$8,750
- IH 1066 Cab & Air.....\$10,900

USED EQUIPMENT

- NH 565 Baler (like new).....\$7,800
- New Idea 323 Corn Picker (like new)...\$3,000
- NH 402 Crimper.....\$1,000
- NH 316 Baler w/thrower, Excellent.....\$6,900

Liquid Manure Pit Pumps



MILLER'S REPAIR

1 Mile North of Bird in Hand
8 Miles East of Lancaster
Ph. 717-656-6109

MECHANIC SPECIALS!



4WD & Steer Tub
Gas, Engine Frozen
\$2,000 offer



15,000 Lb. Load Shoot Boom
Needs Work \$2,300
410-337-3570

ZIMMERMAN'S FARM SERVICE

1/2 Mile West off Rt. 501 on School Rd., Bethel, PA 717-933-4114

OPEN HOUSE

February 9-13, 1998

Register for
DOOR PRIZES

Refreshments
All Week

We Ship
UPS Daily



New
We Now Stock

Raydex

PLOW PARTS

- W219623BS Share.....\$14.40
- W220381BS Shin.....\$21.37
- WEP7490S Shin.....\$19.22

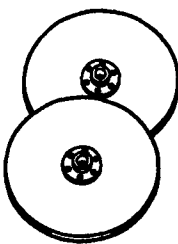
10% OFF All Other
Raydex Parts

WHITE

Series 6000 Planter
FERTILIZER
DISC OPENER
ASSEMBLIES

w/Bearings & Hub
#852628

\$20.84



HESSTON

Forage Harvester
Knives

• C-Knives #700708077
\$105.83

• Flat Knives
#748244 Tungsten \$42.30
#748350 Heat Treated \$46.49
Change Your C-Knife To Flat
Knife, Check With Dealer For
Info. & Cost.



ROLLER CHAIN

- 10 Ft. #40.....\$11.52
- 10 Ft. #50.....\$17.10
- 10 Ft. #60.....\$20.70
- 10 Ft. #60H.....\$28.98
- 10 Ft. #80.....\$40.50
- 10 Ft. #80H.....\$73.17
- 10 Ft. #100.....\$103.32
- 10 Ft. #2040.....\$10.26
- 10 Ft. #2050.....\$13.77
- 10 Ft. #2060.....\$18.36



BATTERY CHARGERS

30/2 150 Amp
\$109.75

60/40/2
250 Amp
\$224.10



LIGHTING

- 3x5 Halogen Flood
Light.....\$16.65
- 4x6 Halogen Flood
Light.....\$17.55

10% OFF
GLENER®
PARTS

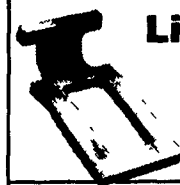


Chain &
Cable
Lubricant
#79014646
\$3.59



**T-Bar
Link**

71¢
Ea.



ANTI-FREEZE

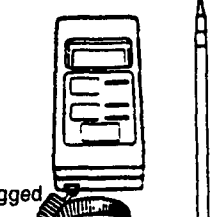
- 1 Gal.....\$4.95
- 6-35 Gal.....\$4.77
- 36-99 Gal.....\$4.59

Universal
RUBBER
RAKE
TOOTH
\$1.80



**HAY
TESTER**

• Direct digital
readout for
moisture and
temperature
• Includes 18" extra-rugged
probe with large grp.
• Fast, accurate and
easy-to-use
\$152.10



**FORRESTER FARM
EQUIPMENT LTD.**

1475 Orchard Rd. Chambersburg, PA 17201

Phone: 717-263-0705



Sales-Parts-Service



NEW EQUIPMENT

TRACTORS

- NH 8770, 4WD Super
Steer w/duals, 225 hrs
- NH 8670, 4WD Super Steer
- NH 8560, 4WD, Cab
- NH 4835, 4WD, No Cab
- NH 4835 w/Cab
- NH 4430, 4WD, Cab
- NH 3430, 4WD

SKID STEER

- NH L465 Skid Loader
- NH LX565 Skid Loader
- NH L565 Skid Loader
- NH LX665 Skid Loader
- NH LX865 Skid Loader
- NH LX885 Skid Loader

EQUIPMENT

- NH 1411 Discbine
- NH 1465 Haybine
- NH 258 Flake
- NH 634 Round Baler
- NH 644 Round Baler, Auto
Wrap
- NH 166 Windrow Inverter,
Demo
- NH 195 Manure Spreader
- NH 185 Manure Spreader
- NH 165 Manure Spreader
- NH 155 Manure Spreader
- NH 900 Forage Harvester,
Metal Alert
- NH 790 Forage Harvester,
Metal Alert
- NH 824 Corn Head
- NH 990W Hay Head
- NH 716C 3 Pt Snowblower

COMPACT TRACTORS

- NH 1925, 4WD
- NH 1920, 4WD, 12x12
- NH 1630, 4WD, Hydro
- NH 1630, Hydro, Super
Steer, 4WD, Loader &
Mower, 55 Hrs
- NH 1530, 4WD, Super Steer

LAWN & GARDEN

- LS 25 LS 45
- GT-18 GT-22
- GT-65 P.S.

LOADERS

- NH 7410 HD Ldr.
- NH 7310 Ldr

Located: 1 Mile Off Exit 8, On 696

North To Orchard Rd.

Hours: 8:00-5:00 Mon. Thru Fri.
8:00-12:00 Saturday



We Accept
VISA & MasterCard



We Ship Parts
UPS Daily

- IH 1586 cab.....\$11,000
- IH 1086 cab fresh engine overhaul, new
paint and tires.....\$14,000
- IH 1086 cab.....CALL
- White 2-105.....CALL
- Ford 7700, Cab.....\$11,000
- Kubota M 7950, 4WD w/loader
75 hp, Runs Great.....CALL
- JD 2640 rebuilt engine.....\$11,900
- Ford 5000, rece. ~~SOLD~~ engine, radials.....\$6,500
- IH Hydro 70 w/loader, ~~SOLD~~.....\$8,000
- Ford 5530, 4WD, High Clear, 760 Hrs.,
Creep Gear.....\$24,000
- IH 574D, recent overhaul.....\$6,500
- IH 574 G, fresh, overhaul.....\$6,000
- JD 2355 4WD w/loader.....\$17,500
- Ford 3400 w/loader.....CALL
- Int. 504.....\$3,000
- Case 1194, cab.....\$6,300
- Int. 404.....\$3,500
- Case 530 w/Ldr, fresh engine overhaul.....CALL
- Ford 8N, 9N w/loader.....CALL
- Farmall H.....\$800
- JD 420.....\$3,300
- Kubota B7100, 4WD, Loader.....\$5,900
- NH 785 skid.....CALL
- Case 580B Backhoe ~~SOLD~~.....CALL
- JD 450C All Angle Dozer, Nice.....CALL
- New Westfield grain auger, 8"x51' PTO ..\$2,600
- Grain auger, 5"x45'.....\$500
- JD F930 mower & Snowblower.....\$7,500
- NH 492 haybine.....\$6,000
- Int. 2400 round baler.....\$3,500
- JD 410 round baler.....\$3,900
- UFT Trailer type fertilizer spreader.....\$2,000
- NI 3810 "V" Spreader.....\$2,000 OBO
- Int. 700 5 bottom ~~SOLD~~.....\$1,800
- Brillion cultipacker.....\$2,800
- Brillion 15' transport packer.....\$2,500 OBO
- White 14' disc.....\$2,500 OBO
- 20' Batwing mower.....\$6,500
- Rotary Mowers, 8', 5' 4'.....CALL
- Snow Plows: Tractor Mounted Power
Angling.....\$1,500
- New 7 1/2' Meyer, complete.....\$2,500
- Used Boss "V" Plow, complete,
excel. cond.....\$2,500
- Princeton Tree/Shrub Planter w/5 Shoes.....\$2,000
- Irrafrance Irrigation System, Complete w/
Traveller, Pump, Pipe, Etc., Ex. Cond.....\$19,800
- Round bale transport wagon, holds 6 blades,
hyd. load & unload.....\$2,000 OBO
- (3) Tree & shrub digger heads, 20"-40".....CALL
- (2) Tree & Shrub planters.....CALL
- Rogers Lo-Boy trailer.....\$3,500
- Aztec 48' flatbed trailer.....\$6,000
- Freuhoff 36' flatbed trailer.....\$3,000
- '74 GMC 9500, 238 Detroit, 5+2,
Good Rubber.....\$6,000
- 1976 C65 Spray Truck, 1000 gal. tank, John Blue
sprayer, 60' hyd. booms, new engine,
drive train.....\$8,000 OBO

We now offer financing & lease programs

**LOG BARN
Equipment**



109 Quarry Dr., Bloomsburg, Pa. 17815
(717) 387-1779