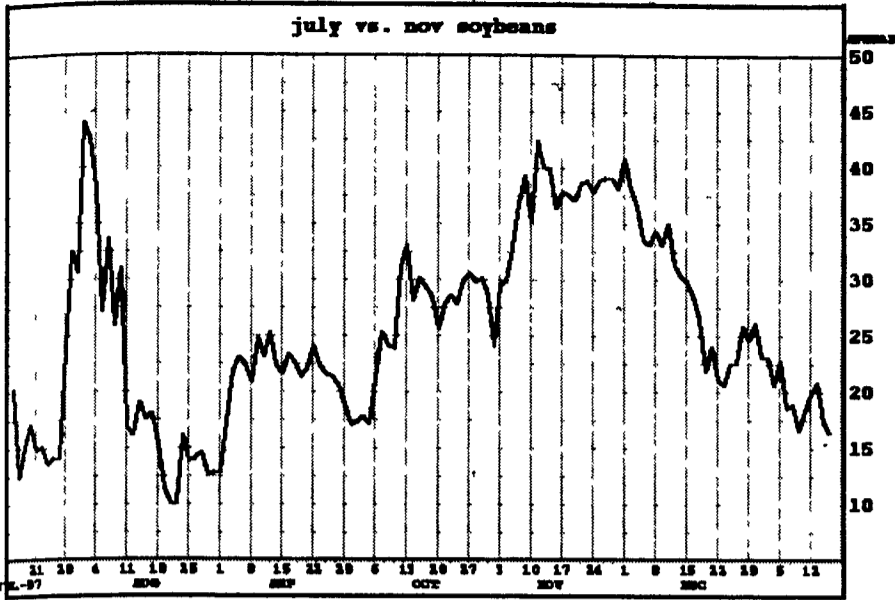


FUTURES MARKETS (Continued from Page A16)



STRIKE	OPEN	HIGH	LOW	LAST	SETT	CHGE	VOL	INT
Live Cattle:								
Settlement Prices as of 01/15/98 01:30 PM								
FEB98	65.375	65.800	65.125	65.400	65.450	+50	7410	38856
APR98	68.000	68.200	67.600	67.950	67.975	-2	5259	34519
JUN98	68.900	68.975	68.500	68.550	68.600	-35	1827	21613
AUG98	69.700	69.800	69.325	69.550	69.550	-27	721	7711
OCT98	71.800	72.000	71.650	71.800A	71.850	-32	285	2601
DEC98	72.550	72.900	72.500A	72.750	72.800	-10	13	565
FEB99	-----	-----	73.300A	73.300A	73.300	-10		20
TOTAL							15515	05885

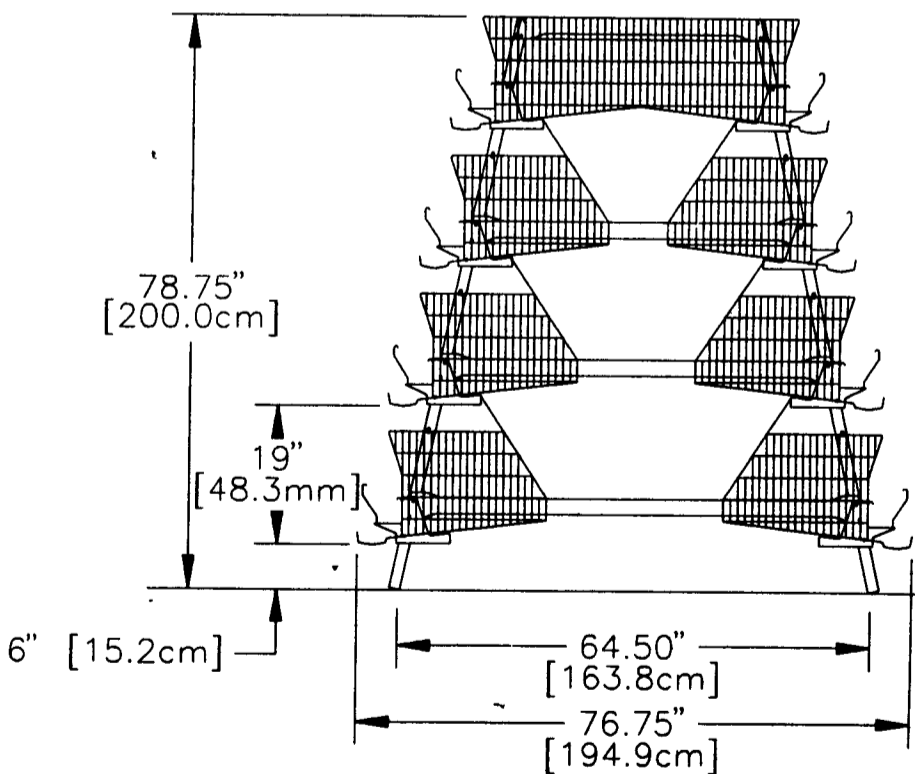
STRIKE	OPEN	HIGH	LOW	LAST	SETT	CHGE	VOL	INT
Lean Hogs:								
Settlement Prices as of 01/15/98 01:30 PM								
FEB98	57.250	57.250	56.150	56.525	56.500	-105	5972	20889
APR98	56.150	56.150	55.300	55.700	55.750	-77	2978	12668
JUN98	64.150	64.200	63.350	63.650	63.600	-82	1291	8269
JLY98	64.050	64.050	63.250A	63.450	63.400	-75	264	2661
AUG98	62.050	62.050	61.0A	61.500	61.550	-62	50	853
OCT98	58.800	58.800	58.450	58.600	58.600	-50	23	1003
DEC98	57.250	57.250	56.850A	57.000	57.000	-47	17	255
FEB99	57.500	57.875B	57.000A	57.850B	57.850	+2	8	42
APR99	-----	54.250B	-----	54.025A	54.000	+20		23
JUN99	62.700	62.750B	62.700	62.700	62.700	UNCH	5	1
JLY99	-----	61.900B	-----	61.900B	61.900	+5		2
TOTAL							10608	46666

THE PROFIT MACHINE

235 EGGS
2.97 CONVERSION, 60 WEEKS



Big Dutchman. CAGE PROFILE



FOR MORE INFORMATION CONTACT:

HERSHEY

EQUIPMENT CO., INC.

Route 30 West at the Centerville Exit
SYCAMORE IND. PARK 255 PLANE TREE DRIVE
LANCASTER, PA 17603
(717) 393-5807 1-800-432-0988

MILK. IT DOES A BODY GOOD.™

Cumberland Valley Annual Winter Meeting

When: Friday, January 23, 1998
Time: 9:00 A.M. Coffee & Doughnuts
Place: South Newton Fire Hall
Directions: Take Exit 10 on Interstate 81. Go towards Walnut Bottom, about 5 miles, make left on Firehouse Rd.
Questions: (717) 530-5007

CRAFT-BILT

CONSTRUCTION, INC.
MANHEIM, PA
(717) 653-4023

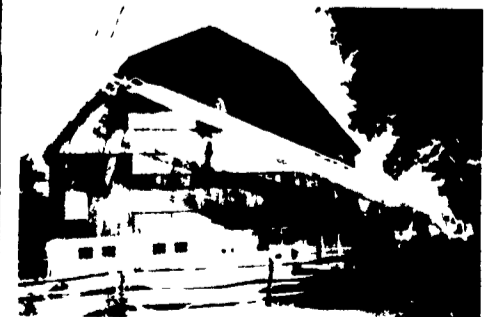


Pre-Engineered Buildings
Lifetime Design Warranty

Dairy **LESTER** Equine
Self-Storage Commerical

FARM BUILDINGS NEED PAINTED?

Let Gahring **BRIGHTEN** Up Your Life
"The Farm Painting Specialist"



WE ARE THE FUSSY ONE'S

OUR SPECIALTIES ARE
AGRICULTURE - COMMERCIAL - INDUSTRIAL - CHURCHES
• Barn Painting • Milk House • Roof Coating
• Water Proofing Silos • Stucco Farmhouses

The Job Must Be Done To Your
— Satisfaction —
— For FREE Estimate Call —



Gahring's
PAINTING & WATERPROOFING
636 East Fnd Ave., Lancaster, PA
717-397-4187