

ECO-AG/EastSM

An Acres U.S.A. conference on eco-agriculture — crops, soils, specialty crops & marketing, with emphasis on livestock & dairies

March 2 & 3, 1998 • Willow Valley Resort Hotel
2416 Willow St. Pike • Lancaster, Pennsylvania

- Top consultants & eco-ag leaders show how to put their successful systems to work for you.
- In-depth workshops focusing on the key areas of eco-production.
- Learn about the latest eco-products in the trade show.
- See dozens of how-to videos in the video theater.
- Learn how to develop an eco-farming plan for your farm: strategies and planning, fertility, tillage, alternative crops and breeds, marketing, natural veterinary care, and more!

Special appearances by:

- Joel Salatin**
"Pastured Poultry Workshop — Eggs, Broilers, Ducks & Turkeys"
- C. Edgar Sheaffer, V.M.D.**
"Converting to Holistic Herd Health Care — a Homeopathy-Based System"
- Bill Wolf**
"Understanding Organic Production & the New Organic Regulations"
- Jerry Brunetti**
"Modern Yields from Traditional Practices"

REGISTRATION FEES — All-inclusive fee for attendance to all seminars, workshops, the exhibit area, and the video theater. **Preregistration:** (by Monday, February 23), Single — \$90; Married couples — \$145. **At Door:** Single — \$110; Married couples — \$175. **Single-day registration: \$65/day.** Register early and save!

Call toll-free for more information!
1-800-355-5313

(504) 889-2100, fax (504) 889-2777
Acres U.S.A., P.O. Box 8800, Metairie, LA 70011

Acres U.S.A. is the monthly magazine of organic and sustainable farming. Learn how to reduce inputs, build your soil, and improve herd health naturally — and capture premium, organic-market prices. \$24/year — Subscribe today or ask for a free sample copy.



Lebanon Valley Livestock

Fredericksburg, PA
Jan. 13

Report Supplied by Auction

STEERS: CHOICE 1295-1355 LBS. 64.25; SELECT 1030-1410 LBS. 58.00-62.00.
HOLSTEINS: SELECT 1155-1305 LBS. 47.25-52.25; STANDARD 1155 LBS. 45.75.
HEIFERS: CHOICE 1285-1220 LBS. 57.25-60.25; SELECT 54.75-55.50; STANDARD 45.00.
COWS: BREAKING UTILITY AND COMMERCIAL 1350-2055 LBS. 37.50-40.25; CUTTER AND BONING UTILITY 1100-1400 LBS. 34.00-37.00; CANNER AND LOW CUTTER 1050-1300 LBS. 26.75-33.50; SHELLS 22.00-25.50.
FEEDER CATTLE: STEERS 630-715 LBS. 42.50-45.50 HOLSTEIN.
FARM CALVES: #1 HOLSTEIN BULLS 95-115 LBS. 98.00-110.00; #2 HOLSTEIN BULLS 95-115 LBS. 68.00-95.00; #1 HOLSTEIN HEIFERS 100 LBS. 82.50-90.00; #2 HOLSTEIN HEIFERS 85 LBS. 40.00.
HOGS: US#1-3 270 LBS. 35.25; US#2-3 225 LBS. 30.00; US#1-3 195-197 LBS. 22.00-24.50.
SOWS: US#1-3 450-550 LBS. 25.50-28.50 AND 360 LBS. 30.00.
BOARS: 255 LBS. 15.00.
SHEEP: GOO AND CHOICE 60-80 LBS. 100.00.

CALVES: VEAL. PRIME 40.00-80.00; CHOICE 38.00-72.00; GOOD 35.00-48.00.
FARM CALVES: #1 HOLSTEIN BULLS 90-120# FEW 35.00-69.00; #2 HOLSTEIN BULLS 80-100# FEW 20.00-40.00; BEEF X BULL&HFRS./HD. 20.00-55.00.
HOGS: BARROWS & GILTS #1-2 210-255# 35.50-50.00; #2-3 255-280# 33.00-39.00; SOWS #1-3 300-500# 27.00-38.00.
FEEDER PIGS: 1-3 15-20# 5.00-17.00/HD.; 1-3 25-35# 10.00-34.00/HD.
LAMBS: HIGH CHOICE 80-100 LBS. 72.00-102.00; CHOICE 70-90 LBS. 74.00-125.00; FEEDER LAMBS GOOD 60.00-100.00; SHEEP 20.00-48.00; FAT SHEEP 30.00 & DOWN.
GOATS: LARGE 70.00-110.00/HD.; MEDIUM 30.00-50.00/HD.; SMALL 10.00-29.00/HD.
HORSES: 35.00-60.00, PONIES 20.00-41.50.

Greencastle Livestock

Greencastle, Pa.
Jan. 15, 1998

CATTLE 125...PDA...COWS 1.00-2.00 HIGHER.
COWS: BREAKING UTILITY & COMMERCIAL 33.50-41.00, CUTTER & BONING UTILITY 29.00-35.75; CANNER & LOW CUTTER 25.50-31.75, SHELLS DOWN TO 15.00.
FEEDER CATTLE: STEERS: ONE LOT LG. HOLSTEINS 820 LBS. AT 45.00. HEIFERS: ONE LOT M, 205 LBS. AT 61.00.
CALVES: 240 VEALERS ONE CH. 115 LB. AT 70.00. STANDARD & GOOD 75-120 LBS. 28.36, UTILITY 55-105 LB. 1125.
FARM CALVES: HOLSTEIN BULLS MOSTLY STEADY NO. 1 95-120 LBS. 80.00-102.00, 14 HEAD 105.00-118.00, 80-95 LBS. 72.50-80.00. NO. 2 80-120 LB. 37.50-80.00, MOSTLY 45.00-65.00. HOLSTEIN HEIFERS FEW NO. 1 90-100 LB. 102.00-1007.50, FEW NO. 2 80-90 LB. 34.00-45.00. BEEF CROSS BULLS & HEIFERS 80-100 LB. 35.80.
HOGS: 1. SOWS: ONE 1-3 385 LB. AT 22.00.
FEEDER PIGS: 18 NO MARKET TEST.
SHEEP: 0. NO MARKET TEST.
GOATS: 2. NANNIES: ONE MEDIUM AT 40.00. KIDS: LARGE ONE AT 19.00.

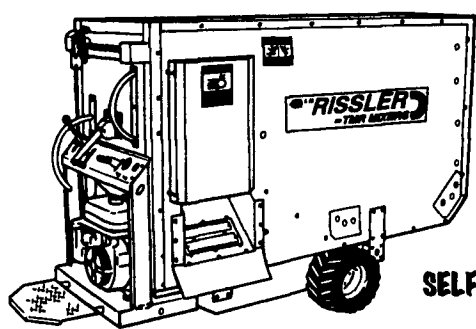
Pennsylvania Livestock Auction

Waynesburg, Pa.
Thurs., Jan. 15, 1998

Report Supplied by Auction

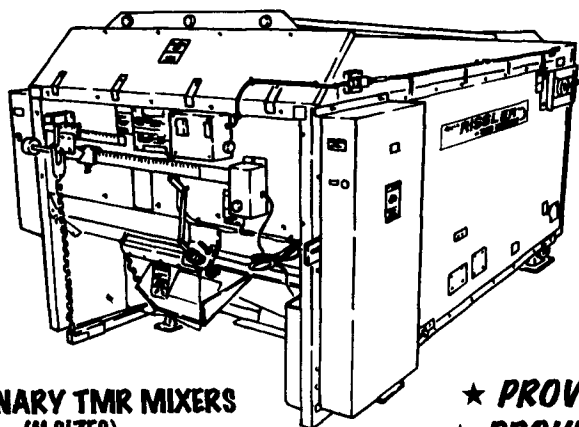
CATTLE: SL. COWS: UTILITY & COMMERCIAL 32.50-40.00; CUTTER & BONING UTILITY 28.00-34.00; CANNER & LOW CUTTER 25.00-29.50; SHELLS 25.00 & DOWN. BULLS: YIELD GRADE 1 1500#-2000# 37.00-43.00; YIELD GRADE 2 1000#-1400# 30.00-40.00.
FEEDER STEERS: M&L-1 300-500# 50.00-88.00; 250-280# 66.00-92.00, M 600-900 LBS. 54.00-72.00. HEIFERS M 1&L-1 300-500# 40.00-70.00; L-1 400-650# 38.00-66.00. BULLS M&L-1 300-620# 42.00-87.00.

MANUFACTURER'S DISCOUNT LIMITED TIME OFFER



SELF-PROPELLED FEED CARTS (8 SIZES)

★ 5% OFF LIST PRICE ★



STATIONARY TMR MIXERS (11 SIZES)

- ★ PROVEN RUGGED
- ★ PROVEN EFFICIENT
- ★ PROVEN ECONOMICAL

CALL OR VISIT OUR DEALER NEAREST YOU FOR DETAILED INFORMATION

REGIONAL AUTHORIZED DEALERS

- | | | |
|---|---|---|
| BADGER S AGRI SERVICE
DILLSBURG, PA
717 432-8377 | M & M BARN SALES
WESTFIELD, PA
814-334 5452 | ROMBERGER FARM SUPPLY
KLINGERTOWN, PA
717-648 2081 |
| R. L. BAUGHMAN & SONS
BARN EQUIPMENT
TOWNVILLE, PA
814-967-4115 | RYDER SUPPLY
CHAMBERSBURG, PA
717 263 3505 | SOMERSET BARN EQUIPMENT
SOMERSET, PA
814-445 5555 |
| BIG VALLEY REPAIR
BELLEVILLE, PA
717 935-5051 | JOE MARKOVITCH
MONTROSE, PA
717 278 3637 | HARRY TROOP
COCHRANVILLE, PA
610 593 6731 |
| CEDAR CREST EQUIPMENT
LEBANON, PA
717-270-6600 | McMILLEN BROS
LOYSVILLE, PA
717 789 3961 | THOMAS L. ZARTMAN
EPHRATA, PA
717 733 1050 |
| COLUMBIA CROSSROADS
EQUIPMENT
COLUMBIA CROSSROADS, PA
717 297-2991 | MENDENHALL DAIRY SUPPLY
BROOKVILLE, PA
814 849 5539 | IVAN ZOOK & SONS
BELLEVILLE, PA
717 935 2158 |
| ART DETWEILER
DANBORO, PA
215 348-3117 | DONALD NISSLEY
WILLOW STREET, PA
717 786 7654 | POTOMAC VALLEY SUPPLY
HAGERSTOWN, MD
301 223 6877 |
| FRANKLIN FARM SERVICE
LACEYVILLE, PA
717 869-2407 | PRINGLE FEED STORE
GREENVILLE, PA
412 588 7950 | FISHER SURGE SALES
KNOX, PA
814 297 5710 |
| HESS EQUIPMENT
SALES & SERVICE
MIFFLINBURG, PA
717 966-1998 | ED RISSLER MFG
NEW ENTERPRISE, PA
814 766-2246 | HUTTON FARM EQUIPMENT
MAHAFFEY, PA
814-277-6647 |
| HOUGHTALINGS GARAGE
MIDDLEBURY CENTER, PA
717 376-2525 | GRAHAM DAIRY SUPPLY
GREENSBURG, PA
412 834 3162 | INTERSTATE DAIRY EQUIPMENT
THURMONT, MD
301 271 7344 |
| JOHN JONES
MECHANICSBURG, PA
717 766-8582 | LIPPCOMB EQUIPMENT
EGLON, WV
304 735 5239 | ROVENDALE AG & BARN EQUIP
WATSONTOWN, PA
717 538 9564 |
| LANCHESTER SERVICE
NARVON, PA
610 273 9060 | | STAR SILO
MYERTOWN, PA
717 866 5708 |

448 Orchard Road
Mohnton, PA 19540
717-484-0551

