

NASA Space Station Team Makes The 'Trek' To Farm Show

UNIVERSITY PARK (Centre Co.) – If outer space holds a fascination for you, then the 1998 Pennsylvania State Farm Show will be the place to be, Jan. 10-15 in Harrisburg, Pa.

The NASA International Space Station Program (ISSP) Outreach Team will be on hand to give visitors a taste of life in orbit.

Under the sponsorship of the Pennsylvania Space Grant Consortium based at Penn State, the ISSP team will provide information on the new space station, which NASA is scheduled to begin assembling in space during 1998. The future orbiting laboratory will support investigations in human life sciences, plant and animal research, Earth sciences and space technology. Free of the influence of gravity, researchers will be able to study the basic properties of life and physical mechanisms of fluid, combustion and crystal growth.

At the ISSP exhibit, several hands-on interactive simulators that are used to train astronauts at the NASA Johnson Space Center will be available. Visitors will be able to climb into an engineering model of the Manned Maneuvering Unit and take a virtual ride around the Space Station assembly operations with the Space Shuttle robot arm, using flight-rated hand controllers. Younger astronaut "trainees" can climb into an extravehicular activity space suit on display. An electronic still camera will be available to record the experience.

A videoconference link between the Farm Show exhibit and the Johnson Space Center in Houston, Texas, will enable visitors to take an electronic field trip to the NASA Space Station training facility, where astronauts will prepare for upcoming Space Station missions. The live, one-hour interactive videoconference sessions will take place twice daily (except Sunday) at 11 a.m. and 2 p.m.

Penn State faculty member and astronaut James Pawelczyk is scheduled to appear on a teleconference on Thursday, Jan. 15 at 11 a.m. Visitors will have an opportunity to ask him questions about the space program and about his upcoming mission on the Space Shuttle slated for April 1998.

For more information on the International Space Station Program, visit the ISSP site on the World Wide Web at <http://station.nasa.gov>.

Also, on Tuesday, Jan. 13 from 1 p.m. to 5 p.m., Toby Carlson, Penn State Professor of meteorology, and Traci Arthur, Penn State graduate student, will present an exhibit at the Space Grant Consortium's booth focusing on "Satellite Monitoring of Urban Sprawl." Carlson's research uses satellite technology, image analysis and land surface models to help planners and developers assess the impact of urban development. The technology can predict encroachment by urbaniza-

tion in protected and sensitive areas and illustrate urban pressures on the landscape for agencies dealing with agricultural, ecological or forest resources.

The Space Grant Consortium's exhibit will be located in the new

Family Living and Agricultural Learning Center on the second floor of the Northeast Building of the Farm Show Complex on Cameron Street. Teacher materials will be available.

For more information about the Pennsylvania Space Grant

Consortium of The Pennsylvania State University, visit the consortium's World Wide Web site at <http://www.psu.edu/spacegrant>, or contact Geraldine Russell by e-mail at paspace@psu.edu or by telephone at (814) 863-7688.

(Continued from Page 22)

- 8:30 AM-7 PM - Family Living and Agricultural Learning Center Demonstrations - Upper Northeast Bldg.
- 9 AM-8 PM - Shaver's Creek Environmental Center - Upper Northeast Bldg.
- 11 AM - Cooking Demonstration - West Lobby Small Arena
- 11 AM - Grand Champion Junior Market Lamb
- 11:15 AM - Junior Sheep Breeding Classes (order will be posted), followed by Junior Lamb Showmanship
- 12 noon - Junior Beef Steer Classes - Large Arena
- 1 PM - Cooking Demonstration - West Lobby
- 1-3 PM - Meet the Grower - East Lobby
- 3 PM - Cooking Demonstration - West Lobby
- 3:15 PM - Grand Champion Steer - Large Arena
- 3:45 PM - Junior Beef Showmanship Contest - Large Arena
- 4 PM - Sheep Judging (in order): Rambouillet, Corriedale & Merino - Small Arena
- 5 PM - Cooking Demonstration - West Lobby
- 6 PM - State Championship Pony Pulling Contest (in order): Lightweight, Mediumweight & Heavyweight Divisions - Large Arena

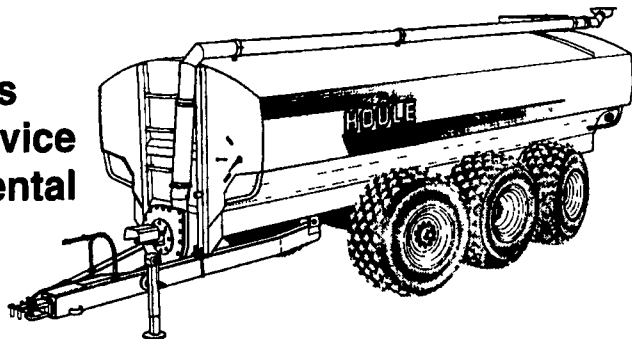
- 6 PM - Pennsylvania Auctioneer's Association Bid Calling Contest - Upper Northeast Bldg.
- 8 PM - Sheep Supreme Champion of Wool Breeds - Small Arena

Thursday, January 15 Sale of Champions Day

- 8 AM-4 PM - See List of Daily Attractions - Entire Complex
- 8 AM - PA Farm Show Scholarship Foundation Awards
- 8:30 AM - Dairy Goat Judging (in order): Alpine, LaMancha, Nubian, Toggenburg, & Other Purebreds, Recorded grades & Best Doe of Show - Large Arena
- 8:30 AM-noon - Family Living and Agricultural Learning Center Demonstrations - Upper Northeast Bldg.
- 9 AM-4 PM - Shaver's Creek Environmental Center - Upper Northeast Bldg.
- 9 AM - Sale of Champions - Small Arena
- 10 AM - Junior Market Goat Show - Large Arena
- 10:15 AM - Junior Steer Sale - Small Arena
- 11:30 AM - Junior Market Swine Sale - Small Arena
- 1:30 PM - Junior Market Lamb Sale - Small Arena
- 4 PM - 1998 Farm Show Ends

YOUR MANURE IS OUR BREAD & BUTTER

- Sales
- Service
- Rental



- Custom Application
- Installation
- Custom Design

Liquid Manure is a valuable resource and a challenge to handle. You need an expert!

At Mid-Atlantic Agrisystems, liquid manure is our bread and butter not a sideline. To solve your problems we carry the most

complete line of equipment in the region, have years of practical hands-on experience, and offer valuable knowledge about products and the latest, most effective manure handling equipment.

Call the experts.
Call Mid-Atlantic.

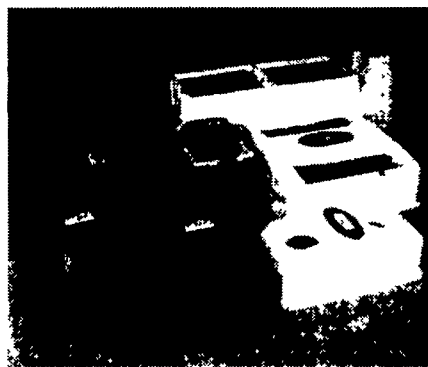
USED/RENTAL LIQUID MANURE EQUIPMENT

Show Specials

- Houle 42' Multi-purpose Pump \$11,975
- Spreaders**
- Houle 6,300 gal. w/steering axles & (6) 28Lx26 tires rental..... \$29,250
- Houle 4,250 gal., used w/ 23.1x26 tires..... **CALL**
- Houle 3,850 w/23.1x26 rental \$ **SOLD**
- Houle 3,600 w/23.1x26..... \$12,275
- Balzer 3,350 vacuum 23.1x26 rental..... \$16,000
- Calumet 3750, 1992 w/50x21-20 used..... \$7,000
- Gehl 329 scavenger, used..... \$9,500
- WIC 3400, used..... **CALL**
- '74 Autocar Triaxle w/5,000 Gal. Vacuum..... \$18,000
- VanDale 3150..... \$4,500
- Pumps**
- Houle 10' - 12' vertical agi-pump, rental..... \$6,000
- (2) Houle pto irrigation pumps, rental units..... (1) \$4,000, (1) **SOLD**
- Houle 32' lagoon agi-pump, used.. \$6,500
- (2) Houle 42' lagoon super pumps..... \$8,150/ea
- (1) Houle 42' Agi Pumps, rental **CALL**

State of the art energy efficient and energy free waterers

- A model for every need and every animal
- Unique floating lids and hinged doors
- All units competitively priced
- Most units UPS shippable
- Wide variety in stock for immediate winter installation



**SEE US
AT THE
PENNSYLVANIA
FARM
SHOW**

NEED YOUR FARM BUILDINGS PAINTED?

Let us give you a price!
Write:

Daniel's Painting
637-A Georgetown Rd.
Ronks, PA 17572

(or leave message)

(717) 687-8262

Spray on and Brush in Painting

Top Volume
HOULE
Dealer in Northeast
Last 4 Years

Mid-Atlantic AgriSystems

4019 Ashville Rd., Quarryville, Pa. 17566

800-222-2948

717-529-2782

