

Dairylea Cooperative Elects Leadership

SYRACUSE, N.Y. - Clyde Rutherford of Otego, N.Y., was recently re-elected president of Dairylea Cooperative Inc. at the Cooperative's annual meeting held in Liverpool, N.Y.

Rutherford and his wife, Jeannette, operate a 500-acre dairy which produces 1.8 million pounds of milk annually.

Rutherford, who is also the Cooperative's District 9 director, serves on the board of directors of the National Milk Producers Federation (NMPF). In addition, he is a member of the Executive Committee and chairman of the Dairy Stabilization Committee Task Force for the NMPF.

Regionally, Rutherford is on the board of directors of O-AT-KA Milk Products Cooperative Inc., and is vice chairman of the board of directors of Atlantic Processing Inc.

Four other Dairylea members were re-elected to the Executive Committee;

Warren Beardsley of Fariport, N.Y., was re-elected to serve as the Cooperative's first vice president. Beardsley, Dairylea's District 3 director, manages a 165-cow Holstein herd with help from three of his sons, Lenny, Larry and Donald. They grow 500 acres of corn, hay and wheat on their Monroe County farm.

Beardsley is active in a number of other agricultural organizations. He is a delegate of the National Milk Producers Federation, and a member of the New York Farm Bureau, Agway Inc. and the Dairy Herd Improvement Association. Beardsley also serves as vice president of the Health Foundation and the Dairy

Council, and is a former director of O-AT-KA Milk Products Cooperative Inc.

In addition, Beardsley is a director of the Western New York Bargaining Agency and is a New-York State district director for the American Dairy Association and Dairy Council Inc.

Raymond Diebold of Altoona, Pa., was re-elected Dairylea's second vice president and secretary. Diebold, who has been a member of the Executive Committee since 1981, is also the Cooperative's District 6 director.

In addition to his responsibilities as a Dairylea director, Diebold is a director on the Pennsylvania State Farmland Preservation Board, a member of the Altoona/Blair County Farm City Week Committee, and serves as Dairylea's representative on both the Pennsylvania State Council of Farm Organizations and the Pennsylvania Dairy Promotion Commodity Board.

He also serves on the agricultural advisory committees to Sen. Robert Jubelier (R-Altoona, Pa.) and Dr. Ted Alter, dean of the College of Agriculture at the Pennsylvania State University.

Diebold owns and operates a 175-acre farm with his wife, Judy, and their three children, Kenneth, Kevin and Karen. They manage 104 registered Holsteins with an annual herd average of 19,700 pounds.

James Madigan of Towanda, Pa., was re-elected to serve as the Cooperative's treasurer. Madigan, Dairylea's District 5 director, operates a 450-acre Bradford County farm in part-

nership with his mother, Ruth Norton. He milks 100 Holsteins and Brown Swiss with his wife, Terri, and sons, Jason and Byron.

Madigan is a member of the Troy Area School District and previously served as its president. Madigan is also president of the Sul-Bra Co-op Council, the local council of the Pennsylvania Council of Cooperatives, and is a member of Agway, Farm Credit, the Bradford-Sullivan County Farm Bureau Dairy Committee, and the Claverack Rural Electric Co-op. In addition, Madigan has served as a director of the National Milk Producers Federation.

Previously, Madigan served on the advisory council for the Pennsylvania Association of Farmer Cooperatives Director School, the Dairy Promotion Committee of Bradford County, and as a district committee member of the Northeast Dairy Farm Beautification Program.

Raymond Johnson of Schaghticoke, N.Y., was re-elected assistant treasurer, Johnson,

who is also the Cooperative's District 12 director, has been a Dairylea director since 1982.

Johnson farms in partnership with his son, Ed, on 450-acre Duelwood Farm, which is home to 140 milking Holsteins. The family farm, where Johnson and his wife, Estella, reside, dates back to 1928.

Additionally, Johnson has served as president of the

American Dairy Association and Dairy Council Inc. for the past 12 years. Currently, he serves as a director of Dairy Management Inc., and is second vice president of the United Dairy Industry Association (UDIA). Johnson is also a member of the UDIA Personnel and Finance committees and past chairman of the Research Committee of the National Dairy Board.

Rabbit Breeders To Meet

NORTH CORNWALL (Lebanon Co.) - The Pennsylvania State Rabbit Breeders Association will hold its annual convention on Saturday and Sunday, Feb. 7-8 here at the Lebanon County

Fairgrounds.

For more information or a show catalog, contact Dwight Algae, 955 Iron Bridge Rd., Mount Joy, PA 17552 or call (717)653-4716.

MILK AMERICA'S HEALTH KICK



BOBBY OLDHAM & COASTAL LEAF TOBACCO

Buyers of 609 Tobacco

We would like to take this opportunity to wish all of our current and past customers and their families the happiest of holiday seasons.

We have closed our receiving locations until Monday, January 5th, 1998. At that time, we will resume receiving contracted tobacco. All contracted tobacco must be delivered by Monday, January 12th, 1997.

This tobacco should be graded into 3 grades. (Tips, Middles, and Bottoms). Any green leaves, damaged, diseased, or shed burnt leaves should be picked out to be baled separately into outgrade bales. There are no exceptions!

If you do not have a contract with us, call us at either location on Monday, January 5th for any delivery instructions we may have. Please grade your tobacco in 3 grades as well. It will make a difference.

RECEIVING LOCATION #1

At the Clarence Shirk Farm
374 S. Farmersville Rd.
Ephrata, PA
(717) 656-9847

RECEIVING LOCATION #2

Behind Ross' Feed & Grain
27 N. Church Street
Quarryville, PA
(717) 786-0397

RECEIVING LOCATION #3

Coming Soon at
24 Meadow Lane
Paradise, PA

BOWMAN'S STOVES & PATIO

GAS STOVES AND FIREPLACES

GAS LOGS starting at \$295

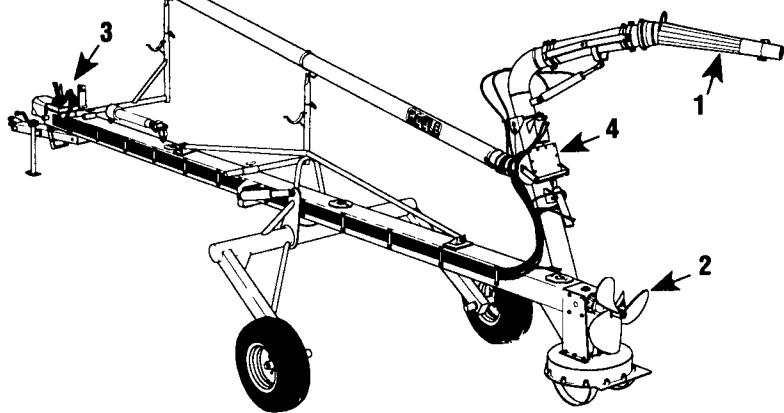
906 E. Main Street (Rt. 322) Ephrata, PA 17522
1 Block East of Rt. 222
(717) 733-4973
800-642-0310

www.bowmansstove.com
Mon, Tues, Wed 10 to 6 Thurs, Fri 10 to 8, Sat 10 to 4

TRAIL AGI-POMPE®

32' AND 42' FOR LAGOONS

GREAT PERFORMANCE IN HOG OR DAIRY MANURE



- 1- Highly articulated nozzle designed to slice and break the top crust from above the manure level as the propeller homogenises the liquid with the remaining floating chunks.
- 2- 24" dia. mixing propeller providing full time agitation up to 21,500 US G.P.M. even when loading a spreader.
- 3- Hydraulic controls can be operated from tractor seat.
- 4- Rotative directional valve designed to be operated at low R.P.M. without stopping the P.T.O.

Gear box oil bath protected by a greaseable 3 seals mechanism on each shaft.

AVAILABLE WITH MULTIPURPOSE OPTION TO ALSO CLIMB INTO CONCRETE PITS UP TO 14' DEEP.

HOULE
FARM EQUIPMENT
MANUFACTURER

MID-ATLANTIC AGRISYSTEMS
Quarryville, PA
800-222-2948

BIG SAVINGS ON EARLY ORDER PROGRAM NOW!



We Specialize in Grain Bins, Dryers, Legs, Mills, Augers

EMHERR
EQUIPMENT, INC.
FARM & HOME CENTER
Serving The Industry For Over 35 Years

★ Full Line Parts Dept. ★ Sell, Service & Install ★
Rt. 272 South - 14 Herrville Road
Willow Street, PA 17584
Ph. 717-464-3321 or
Toll Free 800-732-0053
Store Hours: Mon.-Sat. 7:30 AM to 8:00 PM