

THE RELIABLE ONE



TOUGHER THAN THE REST

The New Holland Model Lx565 Super Boom™ skid-steer loader is tougher, more durable and more reliable than ever.

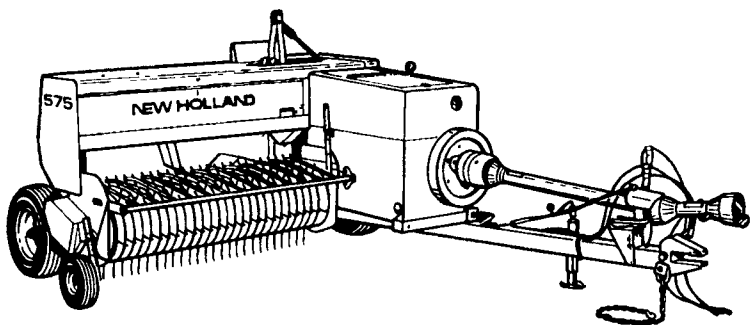
The "Lx565" offers a 40 horsepower diesel engine with an SAE load rating of a powerful 1,500 pounds.

The Pick Up 'n Go™ universal attachment system makes it compatible with New Holland and competitive attachments. The strong boom design and massive loader pins make it more reliable. And the quick engine access makes it easier to service.

See what makes the Super Boom so tough.



A CLASS ACT



BEST IN THE FIELD

The New Holland "575" square baler tops every baler in its class... for capacity, bale quality and reliability.

- **Revolutionary rotary feeding system.** Mechanically simple, but unbeatable for hay handling.
- **Exclusive Wide Super-Sweep™ pickup** that's 75" wide to get all the hay
- **Heavy-duty materials** in the bale case and plunger.
- **Gear-driven knotters or twisters.**
- **Increased load capabilities** handle extra capacity.

See us for the New Holland "575" square baler.



QUALITY USED EQUIPMENT FOR SALE

- IH 584 Tractor
- Farmall 504 Tractor w/Loader
- Gehl 3510 Skidloader
- NH 770 Harvester
- NH 890 Harvester
- 890A Auger Base w/890W Pickup & 890 3 RN Corn Head
- NH 27 Blower
- NH 28 Blower
- NH 499 Haybine w/New Rolls
- NH 489 Haybine, New Rolls & Paint
- (2) NH 489 Haybines
- NH 488 Haybine
- NH 411 Discbine
- JD 1219 Mower Conditioner
- (2) NH 256 Rake
- NI 4151 Bar Rake
- NH 162 Tedder
- NH 144 Windrow Inverter
- NH 310 Baler w/Thrower
- NH 326 Baler w/Thrower
- Hesston 555T Round Baler
- Deutz-Allis GP230 Round Baler
- JD 27 14 ft. Flail Chopper
- JD 8250 Grain Drill
- C 2300 13 ft. Disc
- AC 4-Bottom **SOLD** Plow

BHM FARM & LAWN EQUIP.

SALES - PARTS - SERVICE
Route 934 - 2 Miles North of Annville, PA
Telephone 717-867-2211



Nothing runs like a Deere

1997 CLOSE OUT
New 1996 Model 9500 Combine, Chopper, 30.5x32 Tires, Loaded
List Price \$147,381 Cash Price \$113,483

- COMBINES (Shed Kept)**
- Gleaner F w/Air Flow & 12' Grain Head \$5,850
 - Gleaner A430, NR Corn Head \$4,850
 - JD 3300 Diesel, 1976 Model, 1400 Original Hrs, Rotary Screen... Coming In
 - JD 4425, 1986 Model, 23.1x26 Tires, Chopper, 1676 Hrs, Excellent \$28,500
 - NH 975 w/10' Platform, Cab, 3RN, Nice \$4,350
 - JD 4435 Combine w/23.1x26 Tires, 2300 Hrs, Excellent \$35,800
 - JD 9500 SH, 1993 Model, 2063 Hrs, Completely Thru Shop, Excellent \$84,900
 - JD 6620, 1979 Model w/1896 Hrs, 24.5x34, Hydro, Very Nice \$28,900
 - JD 4400 gas, flat screen, 18.4x26 tires, 3100 hrs, nice \$5,000
 - JD 6600 SH hydro, 2800 hrs., Mechanic Special \$11,900

- JD 4420, 23 1x26 Tires, 2518 Hrs \$18,900
- JD 4420, 23 1x26 Tires, 1700 Hrs 1-Owner, Excellent \$21,900 \$18,900
- JD 1400 dsl, 1979 Model, Rotary Screen, 2,100 Hrs \$4,950

CORN HEADS

- JD 344 3RW, Excellent \$2,850
- JD 443 Lo Tin, Excellent \$6,450
- JD 443 Lo Tin, Oil Bath, Excellent \$7,250
- JD 643 Lo Tin, Oil Bath, 1989 Model, Excellent... Coming In
- (3) JD 444 Hi Tin, Good To Excellent \$3,250 to \$4,250
- JD 443 Hi Tin, Excellent \$4,650

GRAIN PLATFORMS

- (2) JD 215 Flex Heads, Excellent, Black Reel \$4,950
- (3) JD 13' Cutting Platforms, Rigid Choice \$2,450
- (2) JD 213 Flex, Yellow, Nice \$4,650
- (2) JD 915 Flex, Like New \$9,950
- JD 213 Rigid, Side Hill \$3,950
- JD 15' Cutting Platform \$1,200
- JD 12' Cutting Platform, Love Bar \$1,000

WINELAND EQUIP. INC.



RD 2 Rte 164 East
Martinsburg, PA 16662
Phone 814-793-2109



HERR & LEAMAN

Quality Used Farm Equipment

10 miles S. of Lancaster, PA along Rt. 222



TRACTORS & COMBINES
DYNOED, RECONDITIONED, SERVICED &
AVAILABLE WITH 100% WARRANTY ON
ENGINE & DRIVE TRAIN



BUY - SELL - TRADE

Tractors

- JD 4255 power shift, cab, air, 2WD, very nice
- JD 2955 cab, air, MFWD
- JD 2955 cab, air, 2WD, 2100 hrs
- JD 2955 cab, air
- JD 4650 MFWD, cab, air, power shift, duals
- JD 4450 cab, air, power shift, MFWD duals, nice
- JD 2350 hi-lo indpt, PTO, 3000 hrs.
- JD 4640 SGB, quad, duals, 4100 hrs, very nice
- (2) JD 4440 cab, air, quad, 20" rubber
- JD 4240, 1982, quad w/year-a-cab & air
- JD 2440 w/146 loader, nice
- JD 2240 w/hi-low, indpt PTO, 38" rubber
- JD 4230 cab, air, quad, nice
- JD 4020 diesel, Syncro, WF, dual hyd, very sharp
- JD 2510 gas, WF, 3pt, very nice
- JD 445 lawn & garden w/60" deck, 404 hrs, very nice
- JD 425 all wheel steer, 54" deck, nice
- JD 165 hydro lawn mower
- Case IH 7210, 1995 model, MFWD, 42" rubber, 965 hours
- Case IH 7120, cab, MFWD, 42" duals, 4-speed reverse, 2800 hrs., very nice
- Case IH 711 **SOLD**, power shift, MFWD, cab, air
- Case IH 7110 magnum, power shift, MFWD, cab, air, 1-Owner, 4676 hrs.
- 1994 Case IH 5240, cab, power shift, MFWD, 1000 hrs, very nice
- Case IH 5240 Maxxum, MFWD, cab, air, power shift, 2364 hrs.
- Case IH 5140, MFWD, power shift, cab
- Case IH 5130, cab, air
- IH 86 Hydro, WF, 3pt, 2-post ROPS w/rebuilt hydro
- IH 784 year-a-round cab & air, 302 original hrs., like new
- IH 1486 cab, air, 20" rubber w/duals, dual PTO's & hydraulics
- IH 1486 cab, air, 1-owner
- IH 1086 cab, air, new T/A, very nice
- IH 1086 cab, air, nice original
- IH 986 cab, air, nice
- IH 886 cab, air, 3400 hrs.
- IH 886 factory cab, air, w/German engine, very sharp & original
- IH 886 factory cab, air, local trade, reasonable, fair cond
- IH 1468 cab, air, 3200 hrs.
- IH 1466 black stripe, fender tractor w/rebuilt engine, clutch & TA in our shop
- IH 1066 w/year-a-round cab, 4100 hrs., nice & original
- IH 1066 factory cab, New T/A, nice cond.
- IH 966, very nice w/year-a-round cab
- IH 766 fender tractor, new T/A & clutch
- IH 766 fender tractor, new T/A & clutch, sharp
- IH 826 WF, 3pt, very nice
- IH 806D, good cond.
- Farmall 340 gas, NF, fast hitch
- IH Cub Cadet 782, hydro, 50" deck
- White 2-85 cab, air, 2940 hours., 1-owner
- White 2-70 diesel, 1800 hrs., 1-owner, 13-6x38 tires
- AC 50-1 **SOLD** 3pt., 500 hrs. & 3pt grooming
- Ford 800, good cond.

1995 Kubota L35 loader w/backhoe, model BT900, 3pt, PTO, 521 hrs. Industrial Grade

Combines (Shed Kept)

- 1982 JD 6620 level land, turbo hydro, 2300 hrs
- 1982, JD 6620, dial-a-matic, turbo, hydro, 28L Tires, reverse feeder, very nice cond
- JD 6600 diesel, air, hydro, 23" tires, nice cond
- 1979 JD 4400 diesel, air, heavy final, 2040 hrs
- 1977 JD 4400 diesel, air, very nice
- 1991 Case IH 1660 axial flow, Cummins, 1524 hrs nice, w/1063, 6RN
- Case IH 1640, 1260 hrs, 1990 Model, Cummins & Specialty rotor, very nice
- NI 705D w/737 Husker quickattach throat

Heads

- MF 1143 4RN, good,
- MF 1143 4RN, adv, good rolls & chains \$1600
- (2) JD 643's hi tin, lo tin
- JD 444, 4RW, JD 443 4RN
- JD 444 low tin w/side hill drive
- JD 213, 216 flex heads, very nice
- JD 215 flex, yellow reel, very nice
- JD 2 **SOLD** ad
- IH 820 flex head 15', nice
- IH 810, 13' grain head, nice condition

Implements & Misc.

- New Koyker Quick Attach Loaders
- For most JD & IH Farm Tractors
- Case 1840 skid steer, nice cond.
- Case 1835C diesel skid steer, nice
- JD 27 stalk chopper, 6R
- IH 40 stalk chopper
- JD 146 loader for JD utility tractor
- Dunham Lehr loader, off IH 06 thru 66 tractors
- JD TWA 13'6", good cond.
- Miller 12' off-set, 3-bar frame
- Kewanee wingfold disc, 19' rock flex
- JD 435 round baler, very nice condition
- JD 347 baler w/ejector, very nice
- JD 336 baler w/ejector, nice
- 5' 3pt mounted rotary mower
- Glenco 9 shank soil saver
- Glenco 7 shank soil saver
- IH #55 13 shank mounted chisel
- 7 & 8 **SOLD** mtd. chisel
- Kewanee 7 shank 3 pt mounted chisle
- New wide fronts to fit 3020 thru 4020
- Dual wheels-34's and 38's
- Allied 8' snow blower, like new
- IH #70, **SOLD** blower, like new

Box 191 New Providence, PA 17560

(717) 786-1606

Mon.-Fri. 8-6, Sat. 8-12

FAX 717-786-4773