

MAILBOX MARKET FOR SALE

Scanadanavian wood stove used 1 season, air tight, ex. cond. asking \$200 OBO. Leave message. Del. 610-485-5714.

Round corn crib 1200 bushel, good cond. \$300. Automatic roller mill \$4000. Lanc. Co. 717-665-6908.

2 small cast iron radiators \$50. 1968 Ford Galaxy 500 2 dr. 390 V8, all or parts. Lanc. Co. 717-665-3586.

Good distributor for Int. 350 60.00. 814-277-8841.

1950 JD-A good cond. \$2500. 1941 JD A needs work \$1200. Kubota MR6000 mower deck \$400. 1946 JD-A \$150. Frederick Co. 301-865-3698.

JD 7700 combine turbo hydro, rotary field ready 13' flexhead 6 row N corn head, available \$5000. Berks Co. 610-756-8259.

Big 4 yr. old Saddlebred gelding traffi safe & sound, top road horse. Lanc. Co. 1800. 717-445-0319.

AC Gleaner K, 6 cyl. gas, power steering 10' head w/ elec. auto height control, 2 row corn head, dependable \$4,000. Col Co. 717-437-2315

16 ft. original Gruber hay wagon, snow runners, rack pole, double trees, asking \$1000. Also wagon wheels. Luzerne Co 717-788-1614.

29 Model A parts, headlites, generators, motors, wheels, horns, frames, carburetor, fenders, hoods, running gear, axles, steering wheels, steering gear, rear ends, starters. York Co. 717-244-8270.

28" antique bicycles, cultivators, 4 JD "L" implements for Cub "A" scale, spinner, transplanter, 2 hole sheller, 1R seeder, planet junior, small plows, ridgers. Salem Co. 609-358-8625.

Hesston 7020 2 row corn head only good shape, always kept inside, low acres \$650. McKeen Co. 814-887-2622.

Reg. Charolais bull calf, ex. breeding, bull is a red factor charolais. Call anytime and make offer. Bradford Co 717-746-3919.

JD 450B crawler loader ROPS, turbo, very good buying all John Deere crawlers, best prices paid. Wayne Co. 717-698-8311

John Deere 215 flex head platform, fair shape \$1500. Clearfield Co. 814-583-5332.

JD 50 3 pth #5 mower JD R manure spreader, ground drive, JD 24T baler #30 ejector, all ex. Seneca Co. 607-532-8512.

John Deere 13 ft. quick attach rigid cutting platform. \$1500 with, without sidehill drive. Somerset Co. 814-629-6080.

6 c/calf pairs c/herford tame v reasonable; 3 section pasture harrow, needs some work \$150. Some feeder heifers v reasonable. Hunt. Co. 814-627-5149.

IH 354 WF PS 3 ph LPTO 90% Tires, runs ex. \$2800 loader, att. hyd. bucket 5' \$300. Bucks Co 610-294-9809.

Snow plow Meyers 7 1/2 ft all attachments for 75-85 Chev/GMC w/lights ex. cond power angle \$1200. Best offer. Gloucester Co. 609-478-2514.

AKC black lab pups for sale, shots, wormed, 250 females, 200 males, ready Oct. 8. Healthy and lovable companions. Lanc. Co. 717-859-2386.

Approx. 170 seasoned locust fence posts, sharpened \$1.50 each. must take all 6 ft. long. Ray 6 PM. Tioga Co. 814-367-5537.

Used 18.4x38 tractor tires and tubes \$85 ea. Leb. Co. 717-867-4670.

Mercedes Benz parts cars 1969 250C 1973 115-D 1972 350 SLC many used parts, best offer, evenings anytime Schuylkill Co 717-345-2126.

Angus x 4 yr. cow, weans big calves, steer 18 mos. \$350 ea. or trade for 350 bales clean straw. Cecil Co. 410-392-9751.

One Ton Ford cube van engine and trans, rebuilt new brakes, battery, inspected A 1983 well maintained \$3900. Lanc. Co. 717-684-0208.

Snow tires P/205/73 R15 mounted on Astro van rims, very good cond. \$25 each. Lanc. Co. 717-354-3155.

Brown egg laying pullets, 21 wk. old, laying. Lanc. Co. 717-656-2993.

10T ear corn \$100. Ton oats straw \$2.00 bale. John Deere M tractor, new tires nice \$2200 OBO. Lanc. Co 717-665-2152.

Franco Belge stove 50,000 BTU \$200. Lehigh Co 610-966-4014.

W6-TA McCormick tractor, on steel, working cond \$2,000. Enos K Stoltzfus, 881 Pumping Station Rd, Kirkwood, Pa. 17536.

1988 Pontiac Fiero ex cond. white with sunroof asking \$3900. also Body-tech manual treadmill asking \$100. Leave message Schuylkill Co. 717-366-2462.

New 8 ft. Red Devil snowblower, double auger, Junata Co. 717-694-3577.

Fiberglass top to fit Jeep CJ-7 \$200. Also Enterprise meat grinder #32 with 1/2 hp motor on oak. Leb. Co. 717-838-5249.

Leinbach heavy duty 3 pt. blade new \$275. two wheeled 3'x6'x30" trailer \$100. Brinly plow w/hitch new \$75. Lanc. Co 717-892-1540.

Massey Ferguson tractor mod 2135 gas, very good turf tires, ready to mow, power ster live PTO, asking \$3150. Adams Co 717-359-8283.

15,000 watt A.O Smith alternator on trailer, also Bou-Matic auto washer for pipeline milker Centre Co. 814-349-5587.

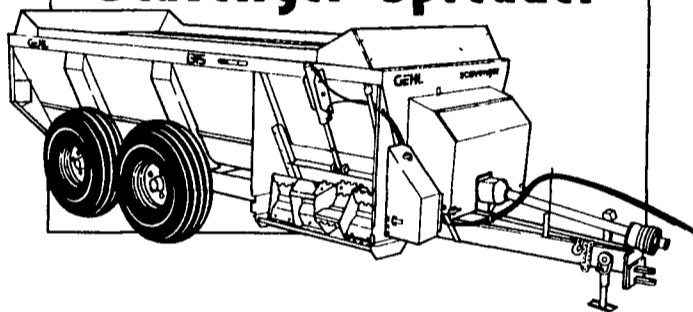
MAILBOX MARKET WANTED

A place to hunt antlerless deer in Allegheny Co. for the 1997 antlerless season. Allegheny Co. 814-239-8268.

Do you have extra breeding age heifers? I would be interested. Lane Co. 717-445-5734.

GEHL

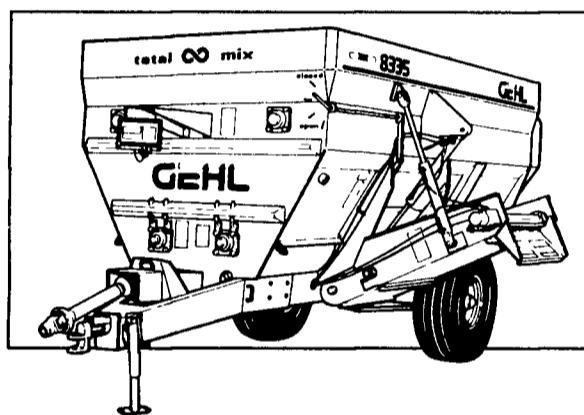
NEW! Scavenger® Spreader



Now get better performance with improved durability, thanks to the following features:

- **NEW heavy-duty round core auger**
 - Easily handles all types of manure
 - Segmented auger paddles for fast, even material flow
- **NEW Variflow™ discharge**
 - 33% wider on our most popular model
 - New aggressive square-tooth expeller paddles
 - Increased durability
- **IMPROVED drive system**
 - Heavier final drive chains
 - Enhanced idler system

TMR "Total Mix" Mixer Feeders



"Total Mix" TMR mixer feeders let you mix more long-stemmed hay into your ration - up to 30% by weight depending on hay type and moisture content

- **"Hay - slicer auger"** - Incorporates knife assemblies into the two bottom augers.
- **Better mixing action** - Four-auger design creates a double figure-8 mixing pattern for fast and complete mixing of all feed ingredients
- **Five sizes** - 150 to 455 cubic feet capacities

FREEDOM FINANCING

7.9% for 48 months with 1/2 Payments For the 1st year. 48 Month Term

0% for 36 Months Available On All New Gehl Equipment Invoiced To Dealer In 1996 Or Prior. Offered in Lieu of All Rebates or Other Financing

Waiver of Finance on new Gehl Equipment until **June 1, 1998** Then 11.9% APR for up to 36 months

- OR - CASH REBATES

0% for 24 months - OR - 6.9% for 36 months - OR - 7.9% for 48 months

* Certain restrictions may apply. See your participating Gehl dealer for complete details. Gehl Company reserves the right to interpret, modify or cancel these programs at any time without prior notice.

Available From Your Local Participating Dealer

UMBERGER'S OF FONTANA
RR 04 (Fontana)
Lebanon, PA

A.L. HERR & BRO.
312 Park Ave.
Quarryville, PA

ECKROTH BROS. FARM EQUIPMENT
RR 02, Box 24A
New Ringgold, PA

MILLER EQUIPMENT CO.
RR 01 Stauffer Rd.
Bechtelsville, PA

BINKLEY & HURST BROS.
133 Rothsville Station Rd.
Lititz, PA

LEHIGH AG EQ. INC.
6670 Ruppssville Rd.
Allentown, PA 18106

HINES EQUIPMENT
PO Box 5, Rt. 22
Cresson, PA
RR 03, Box 550, Altoona
(Bellwood)

D.W. OGG EQUIPMENT CO.
5149 Cap Stine Rd.
Frederick, MD
961 Leisters Church Rd.
Westminster, MD

PEOPLE'S SALES & SERVICE, INC.
Route 35 -
Oakland Mills, PA

LINCOLN SUPPLY CO.
Rt. #2, Box 217A
Somerset, PA

GUTSHALL'S, INC.
RD 2 Rte. 850W
Loysville, PA
and
1201 Spring Rd.
Carlisle, PA

LEBANON VALLEY IMPLEMENT CO., INC.
700 E. Linden St.
Richland, PA

ICKES FARM SUPPLY
Rt. 1 Hwy. 869 West
Osterburg, PA

MILLER-LAKE
RR 02, Box 273A
Belleville, PA

TOM DUNLAP
Rt. 220- Main St.
Jersey Shore, PA

STOUFFER BROS. INC.
1066 Lincoln Way West
Chambersburg, PA

WERTZ FARM EQUIP.
4132 Main St.
Lineboro, MD

Masonry & Concrete Work Stone & Brick Restoration Chimney Repairs

FREE estimates

ELI LAPP

77 Esbenshade Rd.,
Ronks, PA 17572

717-687-7075

leave message

STOP

Feeding Expensive Feed to Pest Birds



Avitrol treated grain baits successfully remove pest birds from feedlots and farm buildings

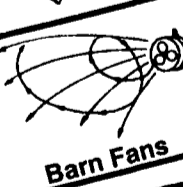
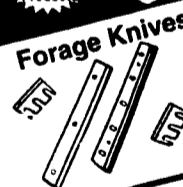
HESS AGRI MARKETING
218 Rockpoint Rd.
Marietta, PA 17547
(717)426-3135

EPA Approved



SAVE \$

Quality Products Free Catalog



Weaver Distributing

1 800 Weaver D
1 800 932 8373

1 800 1414 to WD
1 800 329 8693
RD 2 Fredricksburg, PA 17026