

PRODUCE MARKETS

Philadelphia Vegetable

PHILADELPHIA
AUGUST 6, 1997

VEGETABLES

---ARTICHOKES: no sales reported
 ---ASPARAGUS: MARKET LOWER 11 lb ctns bchd CB lge 22.00-23.00 std 18.00-20.00 11 lb ctns/crts bchd CA jbo 20.00 MX lge 19.00-20.00 std 18.00-20.00 12 lb ctns bchd MX lge 23.00-25.00 std 23.00-25.00
 ---BEANS: MARKET ABOUT STEADY bucrts/crts CD Round Green Type 6.00-7.00 NJ Round Green Type 8.00-10.00 Wax Type Yellow 18.00 NY Round Green Type 10.00-12.00 few 8.00 PA Round Green Type 8.00-10.00
 ---BEETS: MARKET ABOUT STEADY crts bchd NJ 12s 8.00 ctns/crts bchd NJ med-lge 11.00-12.00
 ---BROCCOLI: MARKET SLIGHTLY HIGHER ctns CA bchd 14s 8.00-9.50 bchd 18s 8.00 Crown Cut 8.00-11.00 mostly 10.00 CD bchd 14s 6.00-7.00 ME bchd 14s 8.00 previous commitments lower WA bchd 14s 8.00
 ---BRUSSELS SPROUTS: 25 lb ctns CA med 15.00
 ---CABBAGE: MARKET ABOUT STEADY 1 3/4 bucrts & 50 lb ctns CD Round Green Type med 6.00 NJ Round Green Type med 5.00-7.00 PA Round Green Type med 5.00-6.50 50 lb ctns CD Red Type med-lge 7.00-8.00 NJ Red Type med-lge 7.00-7.50 NY Red Type med-lge 8.00 50 lb sks NY Round Green Type lge 6.00 PA Round Green Type lge 6.00 1 3/4 bucrts & 40 lb ctns CD Savoy Type med 7.00-8.00 NJ Savoy Type med 8.00
 ---CARROTS: MARKET ABOUT STEADY sks 48 1-lb flmbgs CA Topped 12.00-14.00 ord condition 1.00-5.00 sks 24 2-lb flmbgs CD Topped 10.00 sks 10 5-lb flmbgs CD Topped 10.00 50 lb sks lse CA Topped jbo 18.00-20.00 mostly 18.00 CD Topped jbo 15.00-16.00 MX Topped jbo 15.00-16.00 ctns bchd CA Bunched 24s 13.00 ctns 24 1-lb flmbgs CA Baby Peeled 18.00-19.00
 ---CAULIFLOWER: MARKET CD HIGHER, CA STEADY ctns flmwrpd CA White 12s 8.00-10.00 mostly 8.00-9.00 few 11.00 ctns jacket pkd CD White 12s 6.00-7.00
 ---CELERY: MARKET ABOUT STEADY ctns CA 2 dz 17.00-18.00 2 1/2 dz 16.00-18.00 3 dz 15.00 4 dz 15.00 flmb 30s 18.00-20.00 flmb 24s 18.50-19.50 flmb 36s 18.00-19.00 CD 2 dz 14.00 MI 2 dz 15.00 ctns flmbgs MI Hearts 18s 13.50
 ---CHINESE CABBAGE: MARKET ABOUT STEADY 30 lb ctns CA Nappa one label 12.00 40 lb ctns CA Nappa one label 18.00 celcrts OH Nappa 12.00
 ---CORN-SWEET: MARKET ABOUT STEADY wbcrts IN Yellow 4 dz min 11.00 White 4 dz min 12.00 NJ Yellow 4 dz min 11.00-12.00 White 4 dz min 9.00-13.00 mostly 10.00-12.00 NY White 4 dz min 11.00 VA Yellow 4 dz min ord condition 4.00-6.00 White 4 dz min ord condition 4.00-6.00 sks PA White 4 dz min 8.00-10.00
 ---CUCUMBERS: MARKET ABOUT STEADY 1 1/9 bucrts/crts MI med 12.00 fr qual 7.00 NJ med 8.00-11.00 fr qual 4.00-7.00 NY med 8.00 fr qual 4.00-6.00 PA sml 7.00-8.00
 ---EGGPLANT: MARKET ABOUT STEADY 1 1/9 bucrts/crts NJ med 4.00-8.00 mostly 6.00-8.00 NY med 4.00-6.00 1 1/9 bucrts NJ Italian med 7.00-8.00
 ---ENDIVE: MARKET STEADY 1 1/9 bucrts/crts CA 11.00 OH 6.00-7.00 mostly 6.00 10 lb ctns NJ Witloof 18.00
 ---ESCAROLE: MARKET STEADY 1 1/9 bucrts/crts CA 11.00 OH 6.00-7.00 mostly 6.00
 ---GARLIC: MARKET LOWER 30 lb ctns CA White super col 30.00 col 27.00 super jbo 22.50 exjbo 22.50 MX Purple #8 ord cond 3.00-5.00
 ---GREENS: MARKET ABOUT STEADY ctns bchd CA Swiss Chard 12s 11.00 Red 12s 11.00 NJ Dandelion 12s 8.00 Swiss Chard 12s 7.00-8.00 Red 12s 7.00-8.00
 ---LETTUCE-ICEBERG: MARKET ABOUT STEADY ctns CA 24s 13.00-15.00 mostly 14.00 ord condition 5.00 Wrapped 24s 14.00-16.00 fair condition 8.00-9.00 CD 24s 7.00-7.50 CO 24s 12.00
 ---LETTUCE-OTHER: MARKET ABOUT STEADY ctns CA Boston 24s 10.00 Green Leaf 24s 13.00-16.00 Red Leaf 24s 11.00-14.00 mostly 11.00-12.00 CD Green Leaf 24s 8.00 NY Boston 24s 6.00 Red Leaf 24s 8.00 OH Boston 24s 6.00-7.00 Bibb 24s 6.00 3 lb ctns CA Mes-culin Mix 8.50
 ---LETTUCE-ROMAINE: MARKET LOWER ctns CA 24s 12.00-14.50 mostly 13.00-14.00 CD 24s 6.00-6.50 1.3 bucrts CA 24s 16.00
 ---MUSHROOMS: MARKET STEADY 10 lb ctns PA lge 12.00-12.50 mostly 12.00 med 9.50-10.00 mostly 9.50 4 qt bkts PA med-lge 5.00-5.50 sml-med 4.00-4.50 5 lb ctns PA Oyster 18.00-19.00 Cremini 8.00 Portobellas 8.00 3 lb ctns PA Shiitake 15.00 fair qual 12.00 Oyster 13.00-13.50 ctns 12 8-oz trays flmwrpd PA 8.00-8.50 ctns 10 12-oz trays flmwrpd PA 9.00-9.50 ctns 10 10-oz trays flmwrpd PA 8.00-8.50
 ---OKRA: 1/2 bucrts FL med-lge 10.00-12.00
 ---ONIONS GREEN: MARKET LOWER ctns bchd CA 48s 7.00-9.00 CD 48s 7.00-8.00 MX 48s 8.00-9.50 NJ 36s 8.50-9.00 OH 48s 7.50-9.00 crts bchd NJ Leeks 12s 13.00 few 10.00 ctns bchd CA Leeks 12s 13.00 few 10.50
 ---PARSLEY: MARKET OH HIGHER, CA STEADY crts bchd CA Curly 60s 11.00 Plain 60s 11.00 OH Curly 60s 9.00-10.00 Plain 60s 11.00-12.00
 ---PARSNIPS: no sales reported
 ---PEAS GREEN: MARKET ABOUT STEADY 10 lb ctns CA Snow Peas Decalaxed 11.00-12.00 few 15.00 GU Snow Peas Decalaxed 12.00-13.00 Sugar Snap Peas Decalaxed 15.00
 ---PEAS OTHER: OFFERINGS INSUFFICIENT TO QUOTE
 ---PEPPERS: MARKET ABOUT STEADY 1 1/9 bucrts/crts NJ Bell Type Green exlge 8.00-10.00 mostly 9.00-10.00 few hgr lge 7.00-9.00 med 6.00-7.00 PA Bell Type Green lge 9.00 VA Bell Type

Green exlge fr qual 6.00 15 lb ctns CA Bell Type Red med-lge 10.00-13.00 Yellow med-lge 10.00-12.00 5 kg ctns NL Bell Type Red 80-100mm 14.00 Yellow 80-100mm 16.00
 ---PEPPERS OTHER: MARKET STEADY 1/2 bucrts VA Long Hot med 15.00-16.00 1/2 bucrts NJ Jalapeno med 8.00-10.00
 ---RADISHES: MARKET ABOUT STEADY ctns tpd 30 6-oz flmbgs NY Red 3.50 OH Red 5.00-6.00 ctns tpd 14 1-lb flmbgs NY Red 3.50 OH Red 5.00-6.00 40 lb flmbgs tpd OH Red 12.00 ctns bchd OH Red 24s 9.00-10.00 fair condition 8.00
 ---RHUBARB: OFFERINGS INSUFFICIENT TO QUOTE
 ---RUTABAGAS: MARKET STEADY 50 lb ctns CD CDOne med 12.00
 ---SPINACH: MARKET CO HIGHER, OTHERS STEADY 1 2/5 bucrts bchd CA Flat 24s 12.50 bubkts CO Savoy 16.00-17.00 (clipped) ctns 12 10-oz flmbgs Repacked Enroute Savoy fr cond 7.00
 ---SQUASH: MARKET ABOUT STEADY 1/2 & 5/9 bucrts/crts NJ Zucchini sml-med 3.00-7.00 mostly 4.00 med 3.00-5.00 mostly 4.00 Yellow Straightneck sml-med 3.00-6.00 med 3.00-4.00 NY Zucchini sml-med 4.00-5.00 med 3.00 OH Zucchini sml-med 4.00 med 3.00 med-lge 3.00
 ---SWEET POTATOES: 40 lb ctns NC U.S. One Jewels jbo 16.00
 ---TOMATOES: MARKET ABOUT STEADY 25 lb ctns CA 85% U.S. One or Better Mature Greens light red-red xlge 8.00-10.00 ord condition 4.00-6.00 lge 8.00-10.00 MD 85% U.S. One or Better Mature Greens light red-red xlge 8.00-10.00 lge 8.00-10.00 NC 85% U.S. One or Better Mature Greens red xlge 9.00-10.00 fair condition 7.00 NJ Vine Ripes pink-light red xlge fr cond 5.00-7.00 lge 8.00-10.00 few 13.00 fair quality 6.00 med 5.00-7.00 mostly 5.00-6.00 VA 85% U.S. One or Better Mature Greens light red-red xlge 10.50 ord condition 5.00-7.00 lge 10.50 Local Repack 85% U.S. One or Better Mature Greens pink-light red xlge 13.50 lge 13.50 med 13.50
 ---TOMATOES, CHERRY: MARKET ABOUT STEADY flts 12 1-pt bkts CA Red 14.00 MX Red 15.00 NC Red 10.00-12.00 ord cond 2.00-6.00
 ---TOMATOES, PLUM TYPE: MARKET ABOUT STEADY 25 lb ctns CA red 14.50-15.00 NC light-red 10.00 NJ light-red 12.00 fair condition 5.00-8.00 VA light-red fair condition 8.00
 ---TURNIPS: 40 lb ctns CD Purple Top

13.00
 ---VEGETABLES OTHER: MARKET STEADY 8 lb ctns CA Radicchio 12s 7.00-8.00
Kutztown Produce Auction
 Fleetwood, PA
 August 2
 Hay and Straw at 9:00 a.m. Sat. followed by produce
 Report Supplied by Auction
 APPLES: .75-6.50 % BU., 3.00 BU. BASIL: 3.00-6.00 BUCKET.
 BEANS: 5.00-15.00 % BU., 7.00-20.00 BU.
 BLACKBERRIES: 14.00-20.00 FLAT. BLUEBERRIES: 12.00-16.00 FLAT. CABBAGE: .30-.95 HEAD, 2.25-5.50 BAG.
 CANTALOPES: .25-2.00. CARROTS: .25 BUNCH. CHERRIES: SWEET 9.00-17.00. CUCUMBERS: 1.00-6.50 % BU., 3.00-6.50 BU.
 EGGS: .80-1.10 DOZ. GARLIC: 1.60-1.90 LB., 2.50-6.50 BRAIDED.
 NECTARINES: 12.00-14.00 % BU. ONIONS: YELLOW 5.00 % BU., SPANISH 2.50-5.00.
 PEACHES: 3.00-14.00 % BU. PICKLES: 4.00-13.00 % BU. PEPPERS: GREEN 1.75-6.00 % BU.; HOT 4.50-7.00 % BU., 4.50 FLAT. PLUMS: 10.00-11.00 % BU., 5.50-15.00 FLAT.
 POTATOES: 3.75-7.00 % BU., 2.00-8.00 8 QT. FLAT. RASPBERRIES: RED 7.00-12.00 FLAT.
 RED BEETS: CUT 2.50-6.50 % BU., 35-55 BUNCH.
 RHUBARB: .50 LB. SQUASH: SUMMER 2.50-5.00. SWEET CORN: .50-3.90 DOZ. SWEET POTATOES: 2.00. TOMATOES: 3.50-18.00 25 LBS., 2.50-8.50 10 LBS.; CHERRY 3.00-12.00 12 PINT FLAT.
 WATERMELONS: 2.00-3.75; SEED-LESS 3.60-4.00; SUGAR BABIES .80-1.00; YELLOW DOLLS .85-1.60. ZUCCHINI: 1.00-5.00 % BU.; YELLOW 3.00-4.00 % BU.
 FLOWERS: .25-1.20 BOUQUET; 1.00-4.00 CUT, BUCKET; .25-.54 GLADS EACH; BEDDING PLANTS EACH .60-3.10; PERENNIALS EACH .10-1.40.

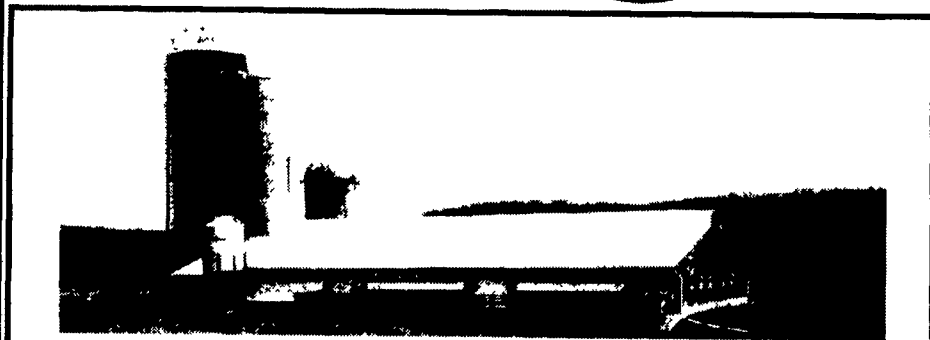
See Our Products On Display At AG PROGRESS DAYS August 12 - 13 - 14 • We're Located on W. 9th Street



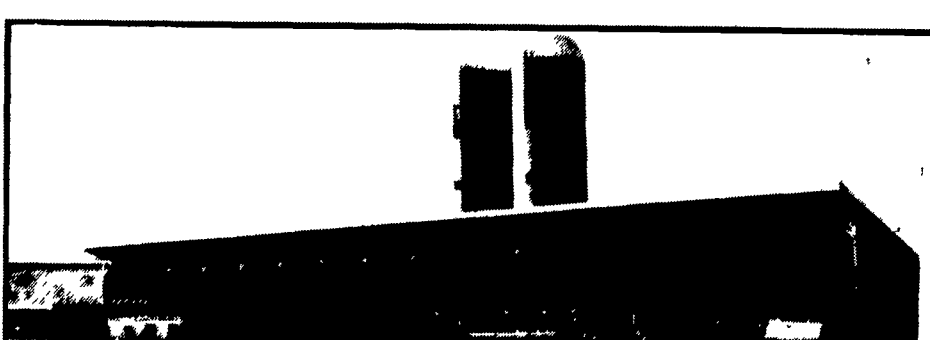
477 East Farmersville Rd.
 New Holland, PA 17557
(717) 355-2361



Concrete Slatted Free Stall Barn



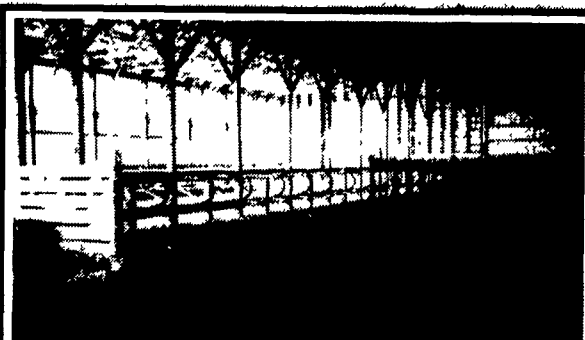
Slatted Beef Barn



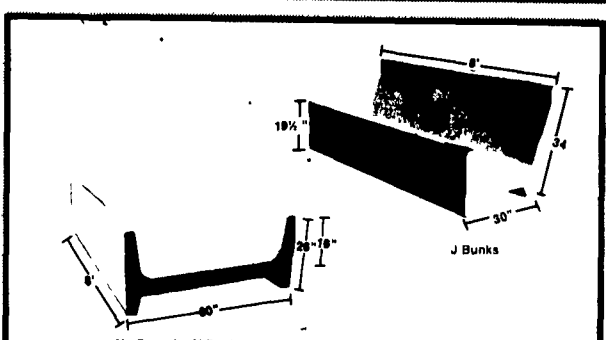
Slatted Heifer Barn



Precast Concrete Bunker Silos



Slatted Free Stall Barn



Concrete Feed Bunks